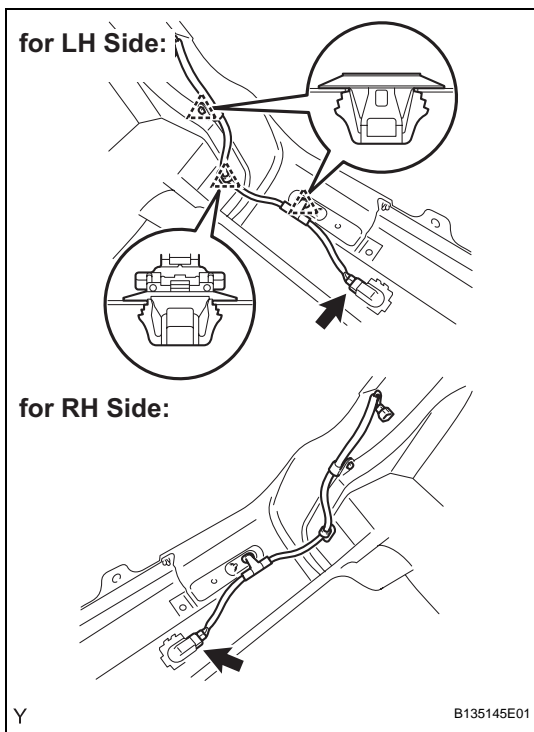
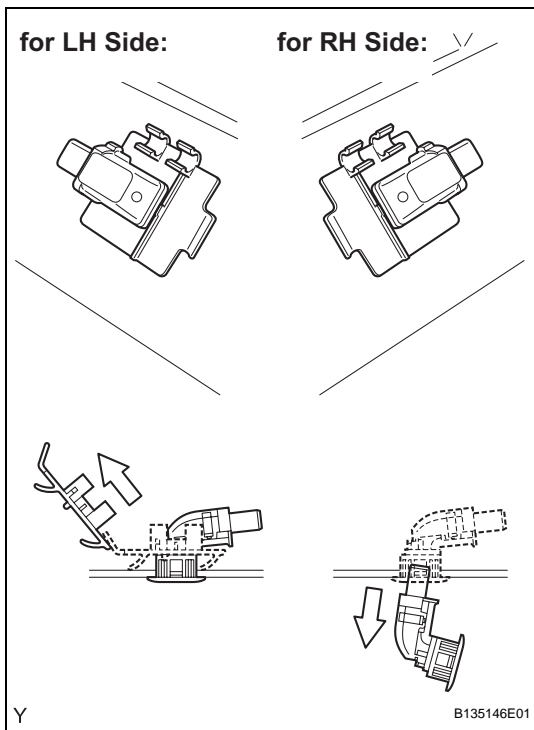


DISASSEMBLY**1. REMOVE FLOOR WIRE (w/ Back Sonar)**

HINT:

Use the same procedure for both sides.

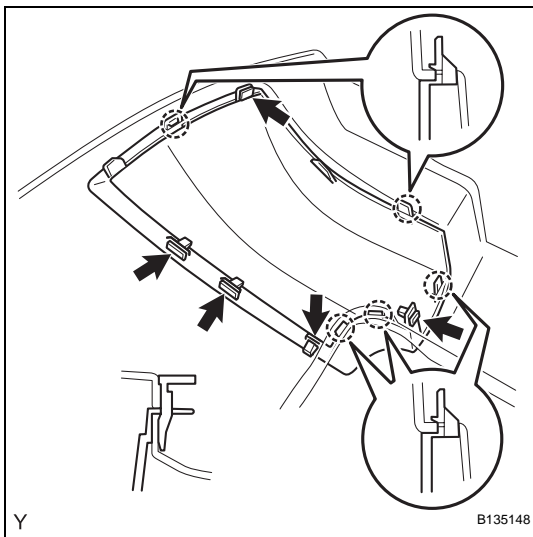
- (a) Using a clip remover, remove the 3 clamps.
- (b) Disconnect the ultrasonic sensor connector and remove the floor wire.

**2. REMOVE ULTRASONIC SENSOR (w/ Back Sonar)**

HINT:

Use the same procedure for both sides.

- (a) Remove the retainer and the ultrasonic sensor as shown in the illustration.

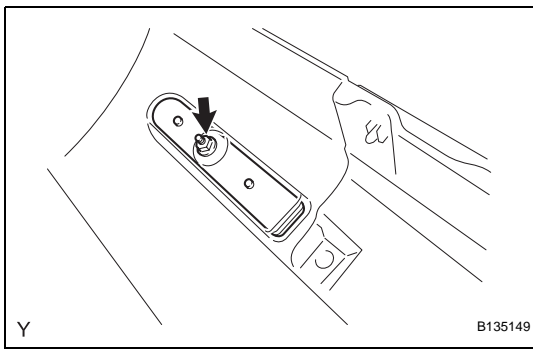
**3. REMOVE REAR BUMPER PAD LH**

- (a) Remove the 5 retainers.
- (b) Disengage the 5 claws and remove the rear bumper pad.

4. REMOVE REAR BUMPER PAD RH

HINT:

Use the same procedure as for the LH side.

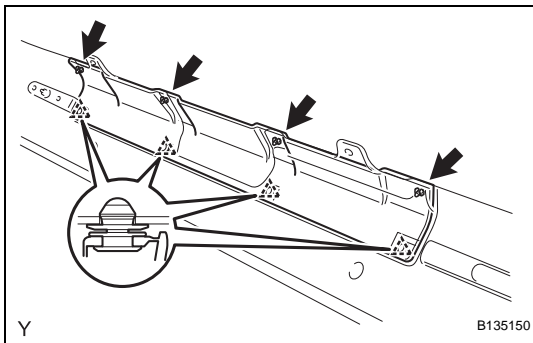
**5. REMOVE REFLEX REFLECTOR ASSEMBLY LH**

- (a) Remove the nut and the reflex reflector.

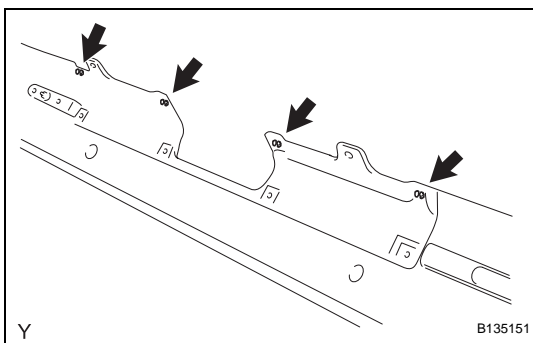
6. REMOVE REFLEX REFLECTOR ASSEMBLY RH

HINT:

Use the same procedure as for the LH side.

**7. REMOVE REAR BUMPER LOWER COVER**

- (a) Remove the 4 screws.
- (b) Disengage the 4 clips and remove the rear bumper lower cover.

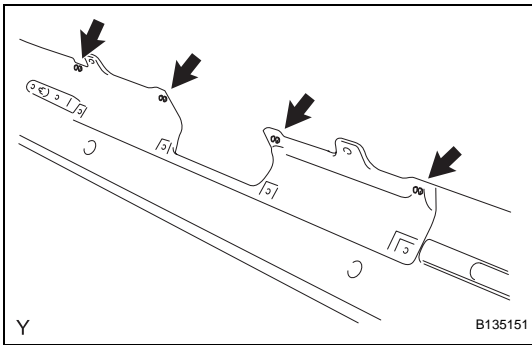


- (c) Remove the 4 screw grommets.

REASSEMBLY

1. INSTALL REAR BUMPER LOWER COVER

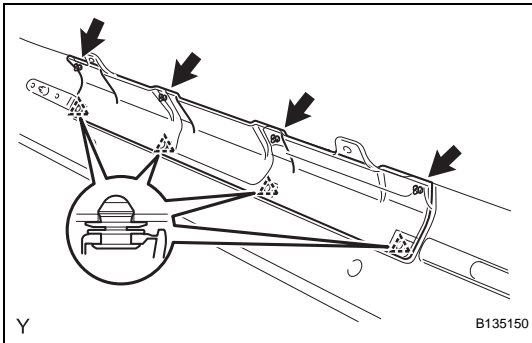
(a) Install the 4 screw grommets.



(b) Engage the 4 clips and install the rear bumper lower cover.

(c) Tighten the 4 screws.

Torque: 3.0 N*m (30 kgf*cm, 27 in.*lbf)



2. INSTALL REFLEX REFLECTOR ASSEMBLY LH

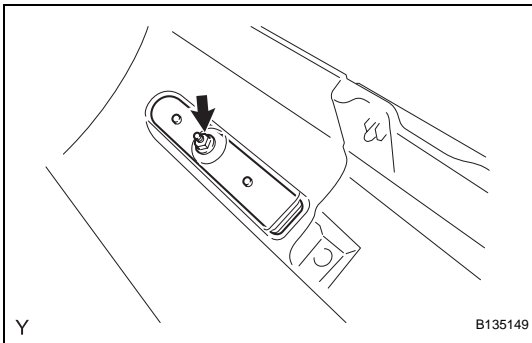
(a) Install the reflex reflector with the nut.

Torque: 8.0 N*m (80 kgf*cm, 71 in.*lbf)

3. INSTALL REFLEX REFLECTOR ASSEMBLY RH

HINT:

Use the same procedure as for the LH side.



4. INSTALL REAR BUMPER PAD LH

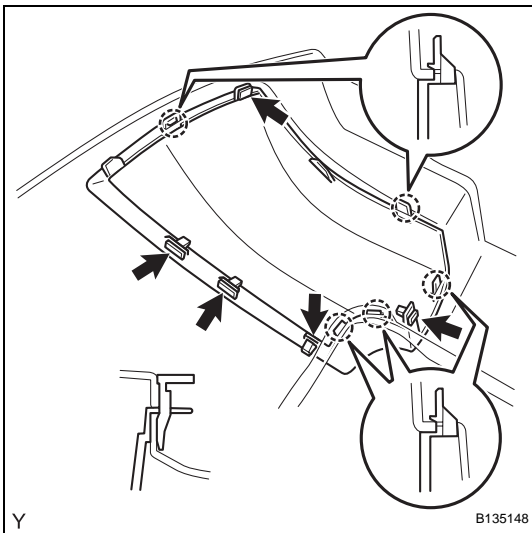
(a) Engage the 5 claws and install the rear bumper pad.

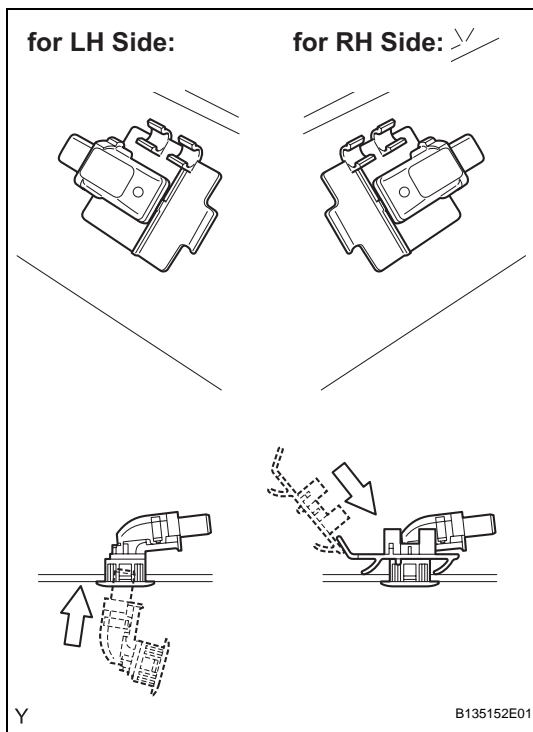
(b) Install the 5 retainers.

5. INSTALL REAR BUMPER PAD RH

HINT:

Use the same procedure as for the LH side.



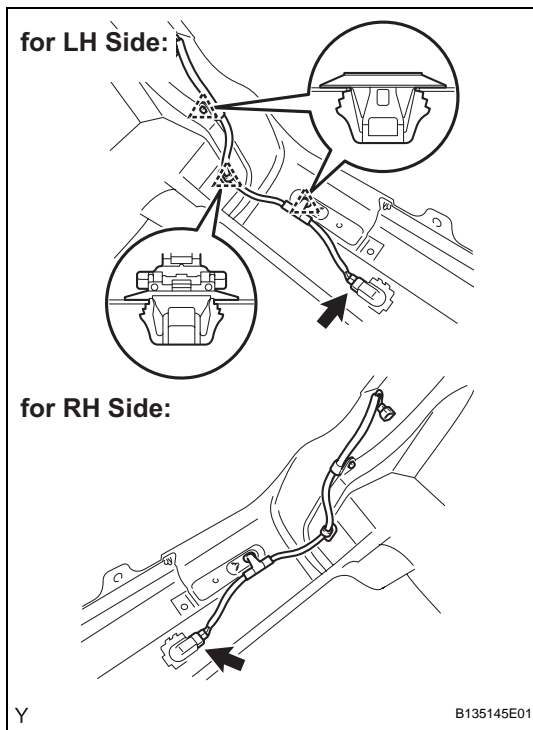


6. INSTALL ULTRASONIC SENSOR (w/ Back Sonar)

HINT:

Use the same procedure for both sides.

- (a) Install the ultrasonic sensor with the retainer as shown in the illustration.

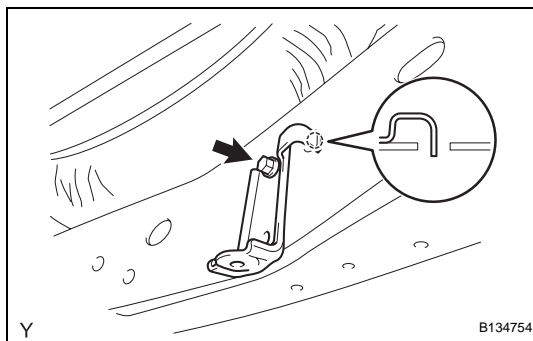


7. INSTALL FLOOR WIRE (w/ Back Sonar)

HINT:

Use same procedure for both sides.

- (a) Connect the ultrasonic sensor connector.
- (b) Install the floor wire with the 3 clamps.



INSTALLATION

1. INSTALL REAR BUMPER BAR BRACKET LH

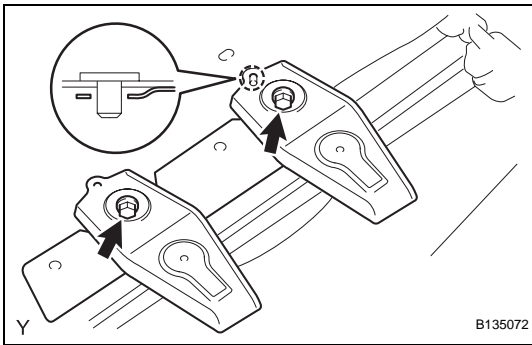
- (a) Insert the hook into the body hole and install the rear bumper bar bracket with the bolt.

Torque: 8.0 N*m (80 kgf*cm, 71 in.*lbf)

2. INSTALL REAR BUMPER BAR BRACKET RH

HINT:

Use the same procedure as for the LH side.



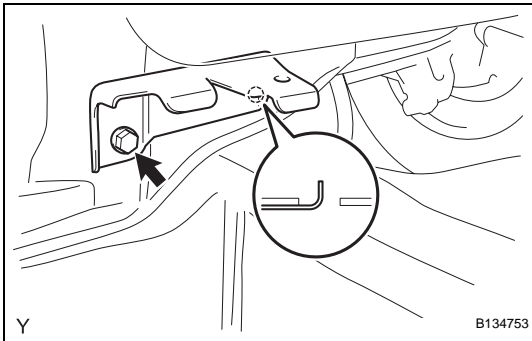
3. INSTALL REAR BUMPER SIDE SUPPORT SUB-ASSEMBLY LH

- (a) Align the locating pin with the hole and install the rear bumper side support with the 2 bolts.
Torque: 8.0 N*m (80 kgf*cm, 71 in.*lbf)

4. INSTALL REAR BUMPER SIDE SUPPORT SUB-ASSEMBLY RH

HINT:

Use the same procedure as for the LH side.



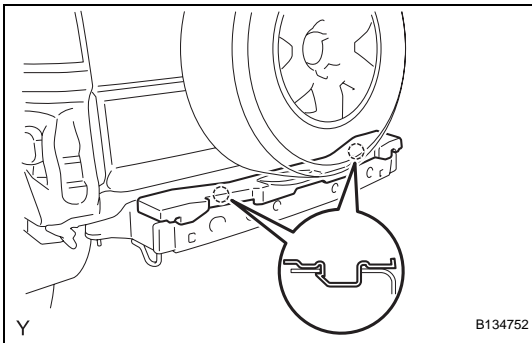
5. INSTALL REAR BUMPER SIDE STAY LH

- (a) Insert the hook into the body hole and install the rear bumper side stay with the bolt.
Torque: 8.0 N*m (80 kgf*cm, 71 in.*lbf)

6. INSTALL REAR BUMPER SIDE STAY RH

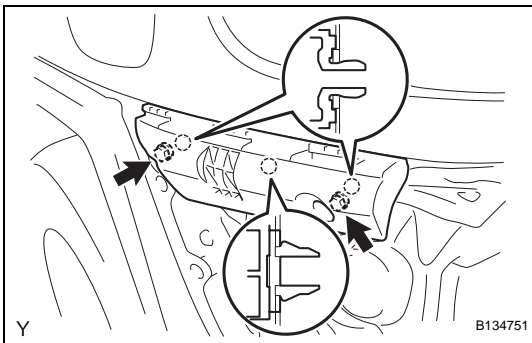
HINT:

Use the same procedure as for the LH side.



7. INSTALL REAR BUMPER ENERGY ABSORBER

- (a) Engage the 2 claws and install the rear bumper energy absorber.



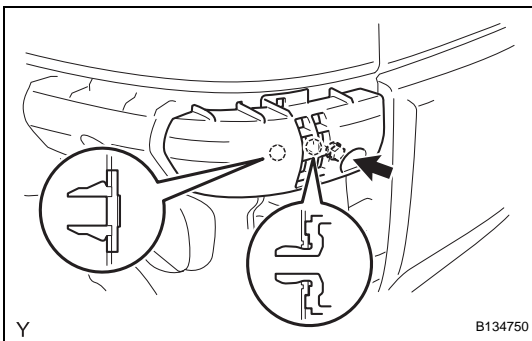
8. INSTALL REAR BUMPER UPPER RETAINER LH

- (a) Engage the 3 claws and install the rear bumper upper retainer.
 (b) Tighten the 2 screws.
Torque: 3.0 N*m (30 kgf*cm, 27 in.*lbf)

9. INSTALL REAR BUMPER UPPER RETAINER RH

HINT:

Use the same procedure as for the LH side.



10. INSTALL REAR BUMPER END RETAINER LH

- (a) Engage the 2 claws and install the rear bumper end retainer.
 (b) Tighten the screw.
Torque: 3.0 N*m (30 kgf*cm, 27 in.*lbf)

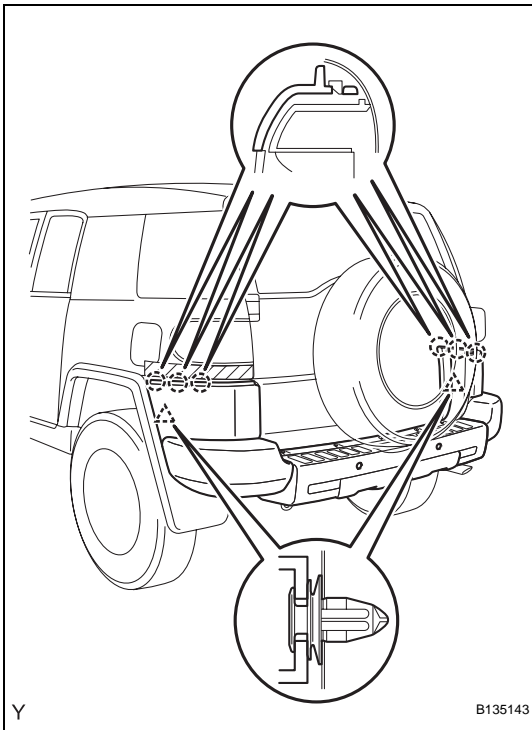
11. INSTALL REAR BUMPER END RETAINER RH

HINT:

Use the same procedure as for the LH side.

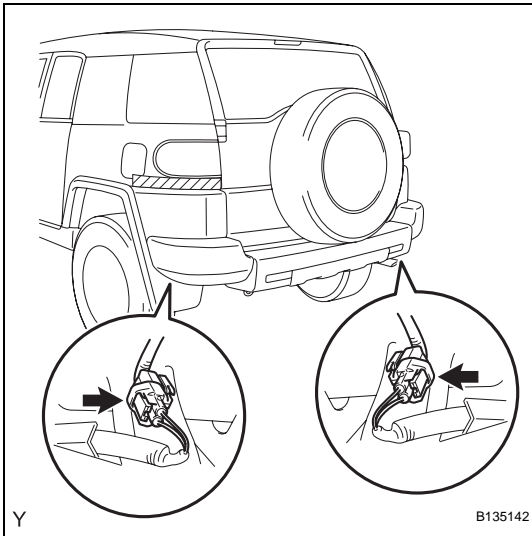
12. INSTALL REAR BUMPER COVER

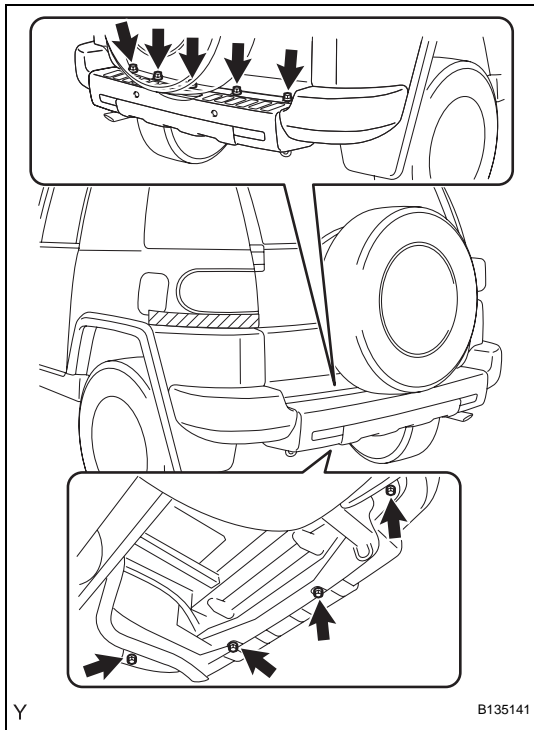
- (a) Engage the 6 claws and the 2 clips and install the rear bumper cover.



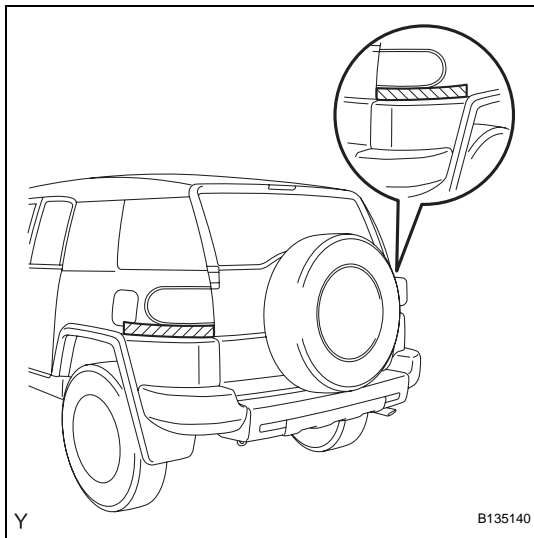
- (b) w/ Back Sonar:

- (1) Connect the 2 wire to wire connectors.





- (c) Tighten the 7 bolts and the 2 screws.
Torque: 8.0 N*m (80 kgf*cm, 71 in.*lbf) for bolt
3.0 N*m (30 kgf*cm, 27 in.*lbf) for screw



- (d) Remove the protective tape.

- 13. CONNECT CABLE TO NEGATIVE BATTERY TERMINAL**
Torque: 3.9 N*m (40 kgf*cm, 35 in.*lbf)