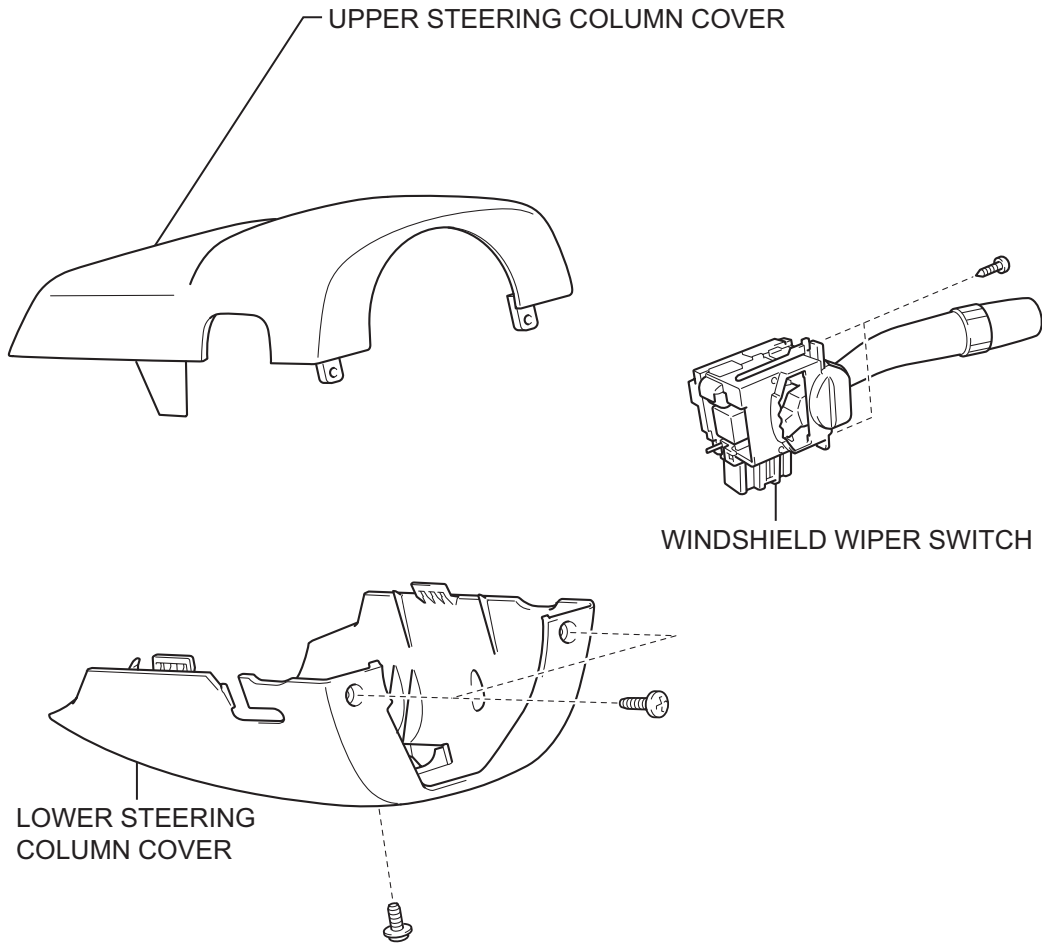


WIPER SWITCH

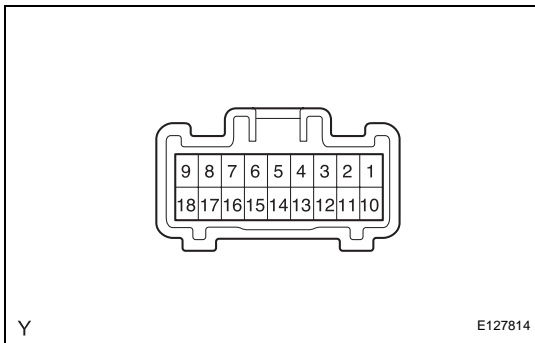
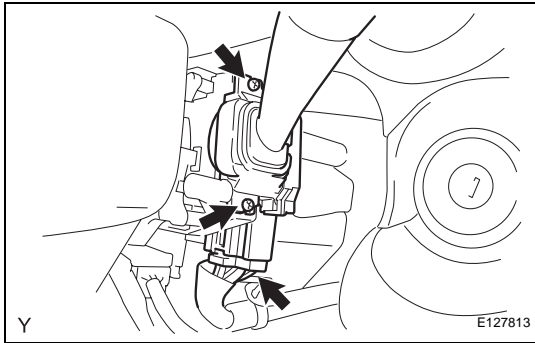
COMPONENTS



WW

REMOVAL

1. DISCONNECT CABLE FROM NEGATIVE BATTERY TERMINAL
2. REMOVE LOWER STEERING COLUMN COVER (See page SR-8)
3. REMOVE UPPER STEERING COLUMN COVER (See page SR-8)
4. REMOVE WINDSHIELD WIPER SWITCH
 - (a) Disconnect the connector.
 - (b) Remove the 2 screws and the windshield wiper switch.



INSPECTION

1. INSPECT WINDSHIELD WIPER SWITCH
 - (a) Check the resistance.
 - (1) Measure the resistance and check the results in accordance with the value(s) in the tables below.

**Standard Resistance:
Front Wiper Switch**

Tester Connection	Condition	Specified Condition
+S (16) - +1 (7)	OFF	Below 1 Ω
+S (16) - +1 (7)	INT	
+B (17) - +1 (7)	LO	
+B (17) - +2 (8)	HI	

If the result is not as specified, replace the wiper switch.

**Standard Resistance:
Front Washer Switch**

Tester Connection	Condition	Specified Condition
EW (2) - WF (11)	OFF	10 kΩ or higher
EW (2) - WF (11)	ON	Below 1 Ω

If the result is not as specified, replace the wiper switch.

**Standard Resistance (w/ Rear wiper):
Rear Wiper and Washer Switch**

Tester Connection	Condition	Specified Condition
EW (2) - WR (12)	WASH (Rear wiper switch OFF)	Below 1 Ω
EW (2) - WR (12)	OFF	10 kΩ or higher
EW (2) - +1R (10)		
EW (2) - C1R (13)	LO	Below 1 Ω
EW (2) - +1R (10)	HI	Below 1 Ω



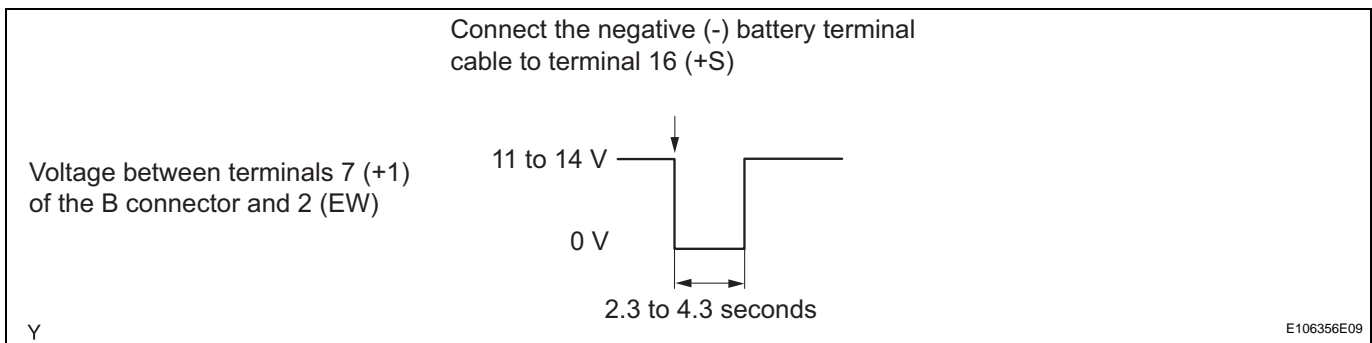
Tester Connection	Condition	Specified Condition
EW (2) - WR (12)	WASH (Rear wiper switch ON)	Below 1 Ω
EW (2) - +1R (10)		
+1R (10) - WR (12)		

If the result is not as specified, replace the wiper switch.

- (b) Check the intermittent operation.
 - (1) Connect the positive (+) voltmeter terminal to terminal 7 (+1) and the negative (-) voltmeter terminal to terminal 2 (EW).
 - (2) Connect the positive (+) battery lead to terminal 18 (+B) and the negative (-) battery lead to terminals 2 (EW) and 9 (+S).
 - (3) Turn the wiper switch to the INT position.
 - (4) Connect the positive (+) battery lead to terminal 16 (+S) for 5 seconds.
 - (5) Connect the negative (-) battery lead to terminal 16 (+S). Operate the intermittent wiper relay and check the voltage between terminals 7 (+1) and 2 (EW).

Standard:

Refer to the illustration below.

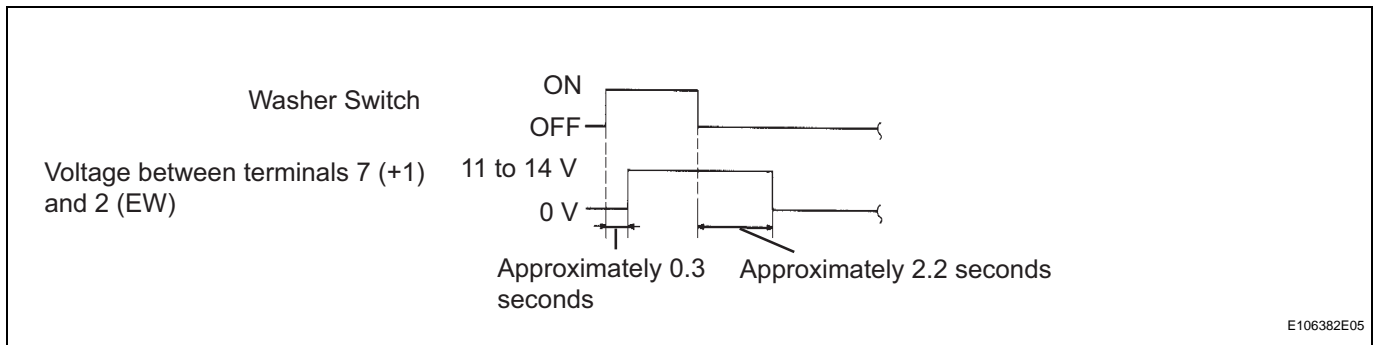


If the result is not as specified, replace the windshield wiper switch.

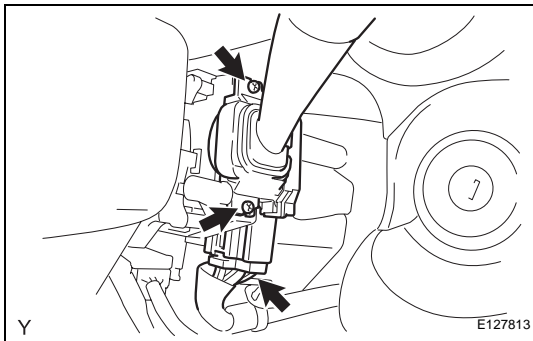
- (c) Check the operation (front washer).
 - (1) Turn the wiper switch off.
 - (2) Connect the positive (+) battery lead to terminal 18 (+B) and the negative (-) battery lead to terminals 16 (+S) and 2 (EW).
 - (3) Connect the positive (+) voltmeter terminal to terminal 7 (+1) and the negative (-) voltmeter terminal to terminal 2 (EW). Turn the washer switch on and off, and check the voltage between terminals 7 (+1) and 2 (EW).

Standard:

Refer to the illustration below.



If the result is not as specified, replace the windshield wiper switch.



INSTALLATION

1. **INSTALL WINDSHIELD WIPER SWITCH**
 - (a) Install the wiper switch with the 2 screws.
 - (b) Connect the connector.
2. **INSTALL UPPER STEERING COLUMN COVER (See page [SR-17](#))**
3. **INSTALL LOWER STEERING COLUMN COVER (See page [SR-18](#))**
4. **CONNECT CABLE TO NEGATIVE BATTERY TERMINAL**
Torque: 3.9 N*m (40 kgf*cm, 35 in.*lbf)