

ASSEMBLY INSTRUCTIONS

MODEL NO. 90590

APPLICATION:

Basket Cargo Carrier

WEIGHT CARRYING HITCH CAPACITY

Not to exceed 500 lbs. total weight of carrier and cargo.

Use only in a 2" Class III Receiver Hitch with a minimum of 500 lb. torque weight capacity.

COMPLETE PARTS LIST

Part	Description	Quantity
1.	Left Basket Section	(1)
2.	Right basket Section	(1)
3.	Carrier Shank	(1)
4.	Connecting Plates	(2)
5.	3/8-16 x 3 Carriage Bolts	(2)
6.	3/8 Flat Washers	(2)
7.	3/8 Lockwashers	(2)
8.	3/8-16 Hex nuts	(2)
9.	5/16-18 x 5/8 Carriage Bolts	(8)
10.	5/16 Flat washers	(8)
11.	5/16 Lockwashers	(8)
12.	5/16-18 Hex Nuts	(8)

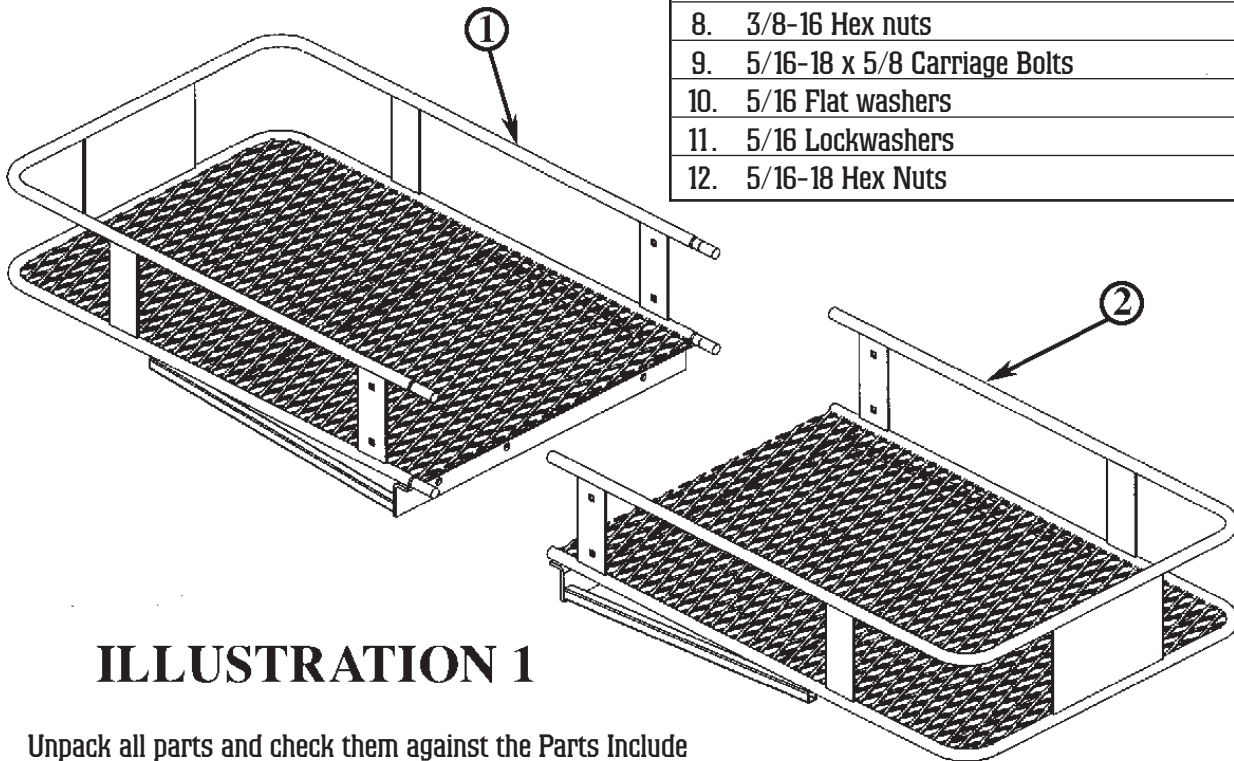


ILLUSTRATION 1

1. Unpack all parts and check them against the Parts Include list above.
2. Place the two basket sections on clean smooth surface with open ends towards each other. Push the sections together so that the alignment pins of one section insert into the open tube ends of the other section. See Illustration 1.
3. Place the connection plates against the front and rear center surface of the carrier and and bolt section together with the 5/16 carriage bolts #9, 5/16 flatwashers #10, 5/16 lockwashers #11 and 5/16 hex nuts #12. See Illustration 2.
Do not tighten these fasteners at this time.

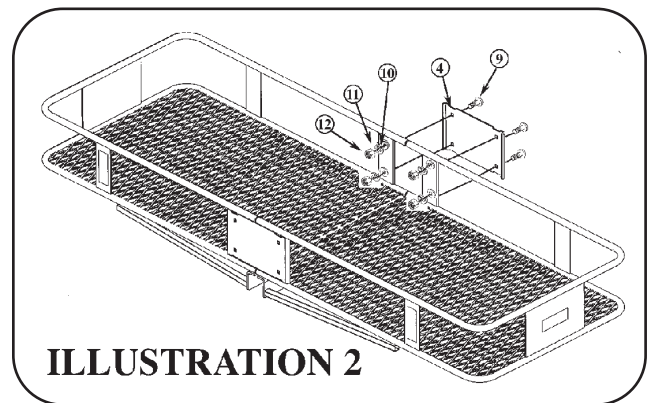


ILLUSTRATION 2

- Place the carrier shank #3 into the channel at the center of the carrier and bolt in place with the 3/8 carriage bolts #5, 3/8 flatwashers #6, 3/8 lockwashers #7 and 3/8 hex nuts #8. See Illustrations 3.

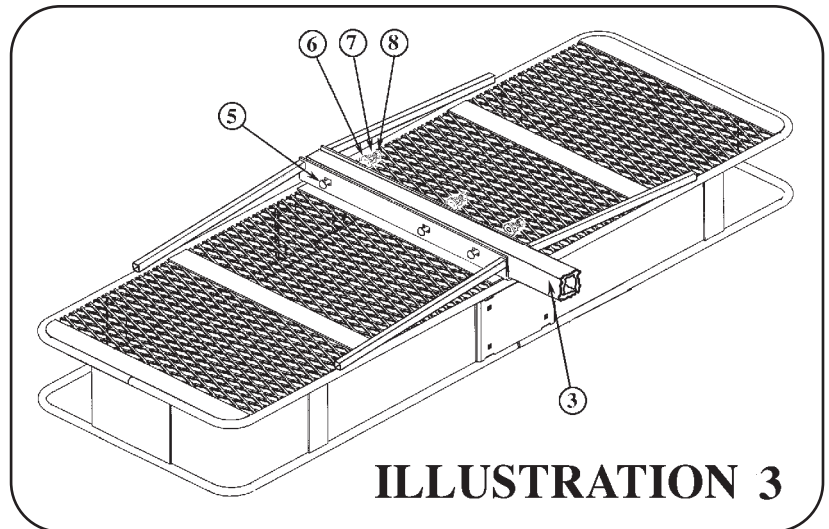


ILLUSTRATION 3

NOTE: There are optional attachment holes in the shank which can be used to move the cargo carrier farther out and away from the back of the vehicle.

See Illustrations 4 and 5.

Also, the shank may be turned over to raise or lower the carrier height when installed in receiver hitch.

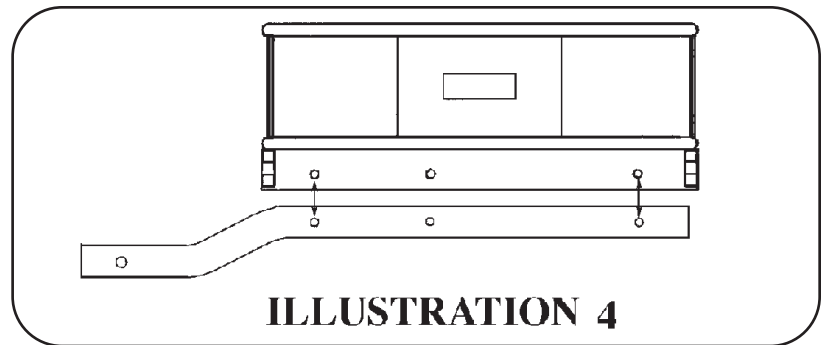


ILLUSTRATION 4

- Tighten the 3/8 bolts to 20 ft. lbs. torque and the 5/16 bolts to 10 ft. lbs. torque.

Do not overtighten bolts.

Failure to tighten bolts as described may result in fastener loss or failure.

Turn basket around for this position.

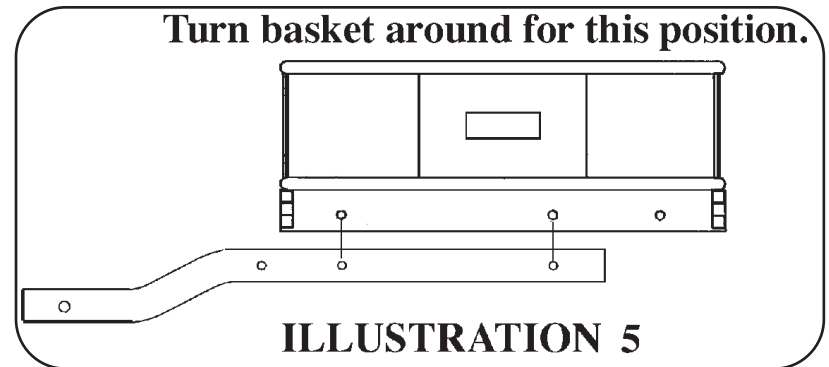


ILLUSTRATION 5

⚠ WARNINGS ⚠

Do not stack cargo to a height that obstructs view of vehicle tail lights.

Distribute weight evenly on platform of basket.

Do not carry loads wider or deeper than the size of the basket (60" x 20").

Not intended for transporting humans or animals.

Do not carry flammable items.

NOTE:

Due to variations in the sizes of hitch receiver tubes, the shank of the cargo carrier is not always a tight fit.

We recommend the useage of the Valley Silent Hitch Pin # 76820 or the Valley Anti Rattle Bracket #53690 to stabilize the cargo carrier.