

## GOBI TOYOTA FJ CRUISER FULL SIZE ROOF RACK INSTALLATION INSTRUCTIONS

### Guidelines:

When using Load Carriers and Accessories, the user must understand the precautions. The points listed below will assist you in using the rack /carrier system and will encourage safety.

- For quality fits and safety, use only the recommended rack or accessory. Do not assume an accessory will fit, always check with dealer when obtaining new accessories. Use only approved accessories on load carriers. Using other brands will void your warranty.
- Make sure all knobs, bolts, screws, straps, and locks are firmly attached, tightened and locked before every trip. Knobs, bolts, screws, straps, and locks must be periodically inspected for signs of wear, corrosion, and fatigue. Check your load at stops during the trip to insure continued fastening security.
- Check local and state laws governing projection of objects beyond the width of a vehicle. **Be aware of the width and height of your cargo since low clearance branches, bridges, and parking garages can affect the load** All cargo will affect the vehicle's driving behavior. Never drive with any lock, knob, or rack in an open or unlocked position. All long loads such as, but not limited to sailboards, surfboards, kayaks, canoes, and lumber must be tied down front and rear to the bumpers or tow hooks, of the vehicle.
- Remove your rack accessories when they are not in use, before entering car washes, prior to taking in your vehicle for service, and whenever clearance may be an issue.
- All locks must be turned and moved periodically to insure smooth operation. Use graphite or similar dry lubricant to help this. Locks are designed to deter vandalism and theft. Remove valuable gear if your vehicle is unattended for an extended period. Place at least one key in the glove compartment.
- For safety to your vehicle and rack system, obey all posted speed limits and traffic cautions. Adapt your speed to the conditions of the road and the load being carried.
- Do not use load carriers and accessories for purposes other than those for which they were designed. Do not exceed their carrying capacity.
- Consult with your dealer if you have any questions regarding the operations and limits of this product. Review all instructions carefully.

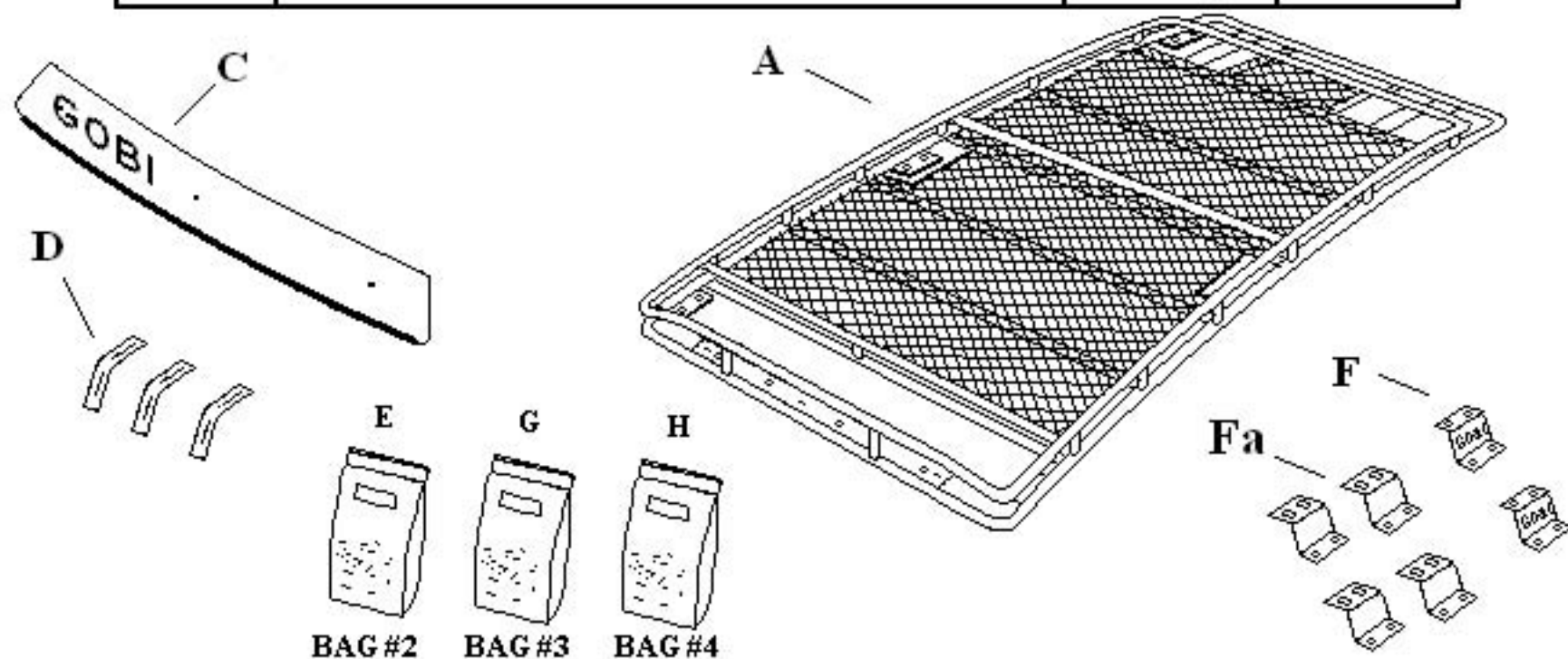
# GOBI TOYOTA FJ CRUISER FULL SIZE ROOF RACK

## INSTALLATION INSTRUCTIONS

6

Included in kit

Letter	Description	Location	Quantity
A	GOBI TOYOTA FJ FULL SIZE ROOF RACK	Main box	1
B	FAIRING RUBBER PROTECTIVE STRIP	pre-assembled	1
C	FAIRING	banded to rack	1
D	FAIRING BRACKETS (pre-assembled to fairing)	pre-assembled	3
E	FAIRING BRACKET HARDWARE CONTENTS: 3- 1/4-20x1 black zinc button bolt 6- 1/4" black washer 3- 1/4" lock washer 3- 1/4-20 wing nut	<b>BAG #2</b> Hardware Box	1
F	GOBI CENTER SUPPORT BRACKETS	Hardware Box	2
Fa	GOBI FRONT AND REAR SUPPORT BRACKETS	Hardware Box	4
G	GOBI ROOF MOUNT BRACKET HARDWARE CONTENTS: 6- Cover plates black powder coated 12- 1/4" Nylon spacer washers 12- M8 x 40 Mounting bolts 12- 5/16" Stainless lock washers 12- 5/16" Stainless washers 1- M-5 Metric allen wrench	<b>BAG #3</b> Hardware Box	1
H	GOBI RACK BRACKET HARDWARE CONTENTS: 12- 3/8" - 16 x 1" Stainless bolt 24- 3/8" Stainless washer 12- 3/8" Nylock nuts 6- Rubber pads black	<b>BAG #4</b> Hardware Box	1



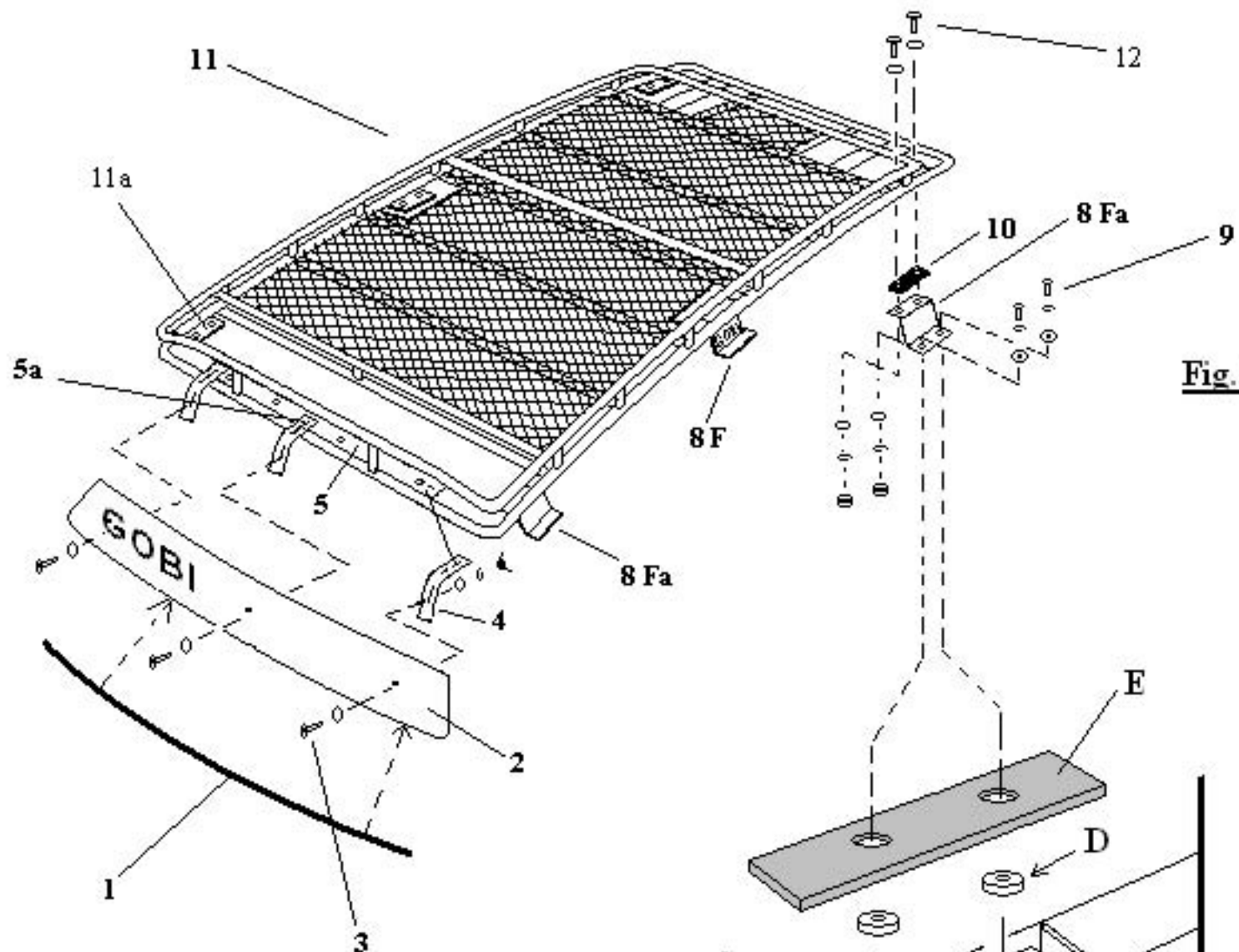
## GOBI TOYOTA FJ CRUISER FULL SIZE ROOF RACK INSTALLATION INSTRUCTIONS

The rack must be inspected before each use to make certain attachments are secure, and for evidence of wear. Misuse of the rack or failure to observe the manufacturer's instructions as to installation, proper attachment and maintenance will void any warranties that may be implied by law.

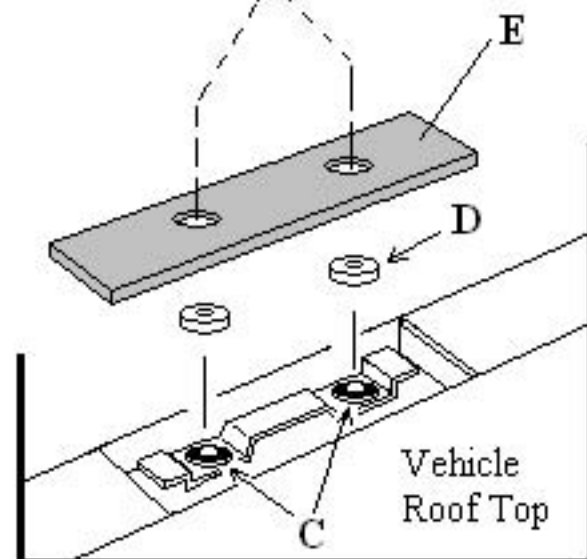
### INSTALLATION INSTRUCTIONS:

- 1- Using the hardware list on page 2 of the Gobi instruction manual check and verify that all hardware is present prior to installation.
- 2- Refer to page 4 **Fig. 1** push on access cover plate "A" in the direction of the arrows while lifting the access cover plate with a small screwdriver. Remove all 6 cover plates in the same manner.
- 3- Refer to page 4 **Fig. 2** remove all 12 bolts "B" leaving behind water proof washers "C" over each steel bracket.
- 4- Refer to page 4 **Fig. 3** place 1 nylon spacer "D" over each water proof washer "C" then place cover plate "E" over spacers "D".
- 5- Refer to page 4 **Fig. 4** there are 2 sets of Gobi support brackets, 2 are labeled #8 "F" (center support brackets) and 4 are labeled #8 "Fa" (front and rear support brackets). As shown on page 4 **Fig. 3** and 4 use the M8 x 40 metric bolts found in hardware bag #3 and slide each M8 x 40 bolt labeled #9 with lock washer and flat washer first through Gobi support bracket labeled #8 "Fa" for the rear of the vehicle then through cover plate "E" through spacers "D" and finally into vehicle roof bracket and mounting holes. Continue installing each Gobi support bracket to their correct positions on the vehicle roof based on their number designation (#8Fa front and rear brackets) and (#8F center brackets) assemble and tighten all 12 bolts through all 6 Gobi support brackets in the same manner.
- 6- Using at least two people, carefully place the Gobi roof rack #11 in position on top of all 6 Gobi support brackets #8 as shown on page 4 **Fig. 4**. Install all 6 rubber pads #10 located in bag #4 between the Gobi roof rack welded in brackets #11a and the Gobi support brackets #8 as shown on page 4 **Fig. 4**. Using the 3/8-16 x 1" bolts located in bag #4 along with the 3/8" flat washers install all 12 bolts and washers labeled #12 through the Gobi welded in brackets #11a then through Gobi support brackets #8. Thread all twelve 3/8" Nylock nuts and washers located in bag #4 to each bolt as shown on page 4 **Fig. 4** labeled #12 then align each Gobi support bracket #8 to the roof rack and vehicle as shown on page 5 **Fig. 5** labeled "H". Once bracket alignment is complete fully tighten the Gobi rack #11 to each Gobi support bracket #8 then completely tighten all Gobi support brackets #8 to vehicle rooftop as shown on page 4 **Fig. 3** and 4.
- 7- Refer to page 5 **Fig. 5** #2 fairing, the fairing comes pre-assembled with fairing brackets #4 attached. The position of each attached fairing bracket may not be fixed at the proper height for your particular roof line. Adjustments will have to be made in order for the fairing to form correctly to your vehicle's roof line. Begin by attaching the fairing's center bracket to the middle slot #5a of the Gobi roof rack light bar #5 shown on page 5 **Fig. 5** use the 1/4" bolts, washers and wing nuts supplied in bag #2. Provide approximately a 2" gap between the fairing and the Gobi rack outer tube as shown on page 5 **Fig. 6a**, tighten down the center nut and bolt at this time. Proceed to either the right or left hand side and pull the fairing in the direction of the arrows on page 5 **Fig. 6** letters "F" and "G" while pushing down on the fairing towards the roof top at the same time. Pull each side until the fairing either makes contact with the Gobi roof rack or comes in close proximity. Align fairing brackets #4 to the Gobi light bar fairing slots at the ends of the Gobi light bar #5 and insert the 1/4" bolt and washer through the fairing bracket #4 then through the Gobi light bar slot and secure the fairing in place with the 1/4" washer and wing nut. Proceed to the opposite side and continue attaching the fairing in the same manner. Be sure that the fairing through out its length is making contact with the roof top as snug as possible, fairing brackets may need to be adjusted either up or down and in some cases you may bend the fairing bracket to accommodate the final result. Once the fairing is in the proper position tighten all fairing bracket screws firmly. Roof rack installation is complete.

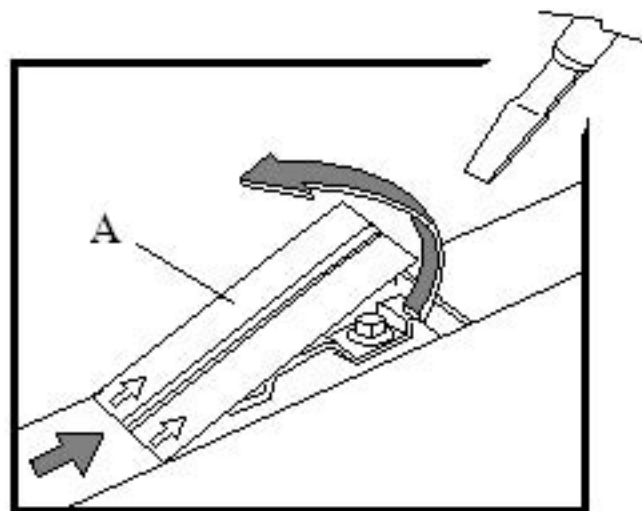
## GOBI TOYOTA FJ CRUISER FULL SIZE ROOF RACK INSTALLATION INSTRUCTIONS



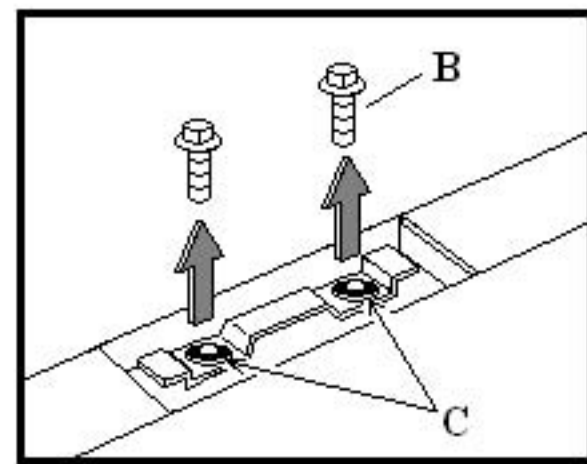
**Fig. 4**



**Fig. 3**



**Fig. 1**



**Fig. 2**

## GOBI TOYOTA FJ CRUISER FULL SIZE ROOF RACK INSTALLATION INSTRUCTIONS

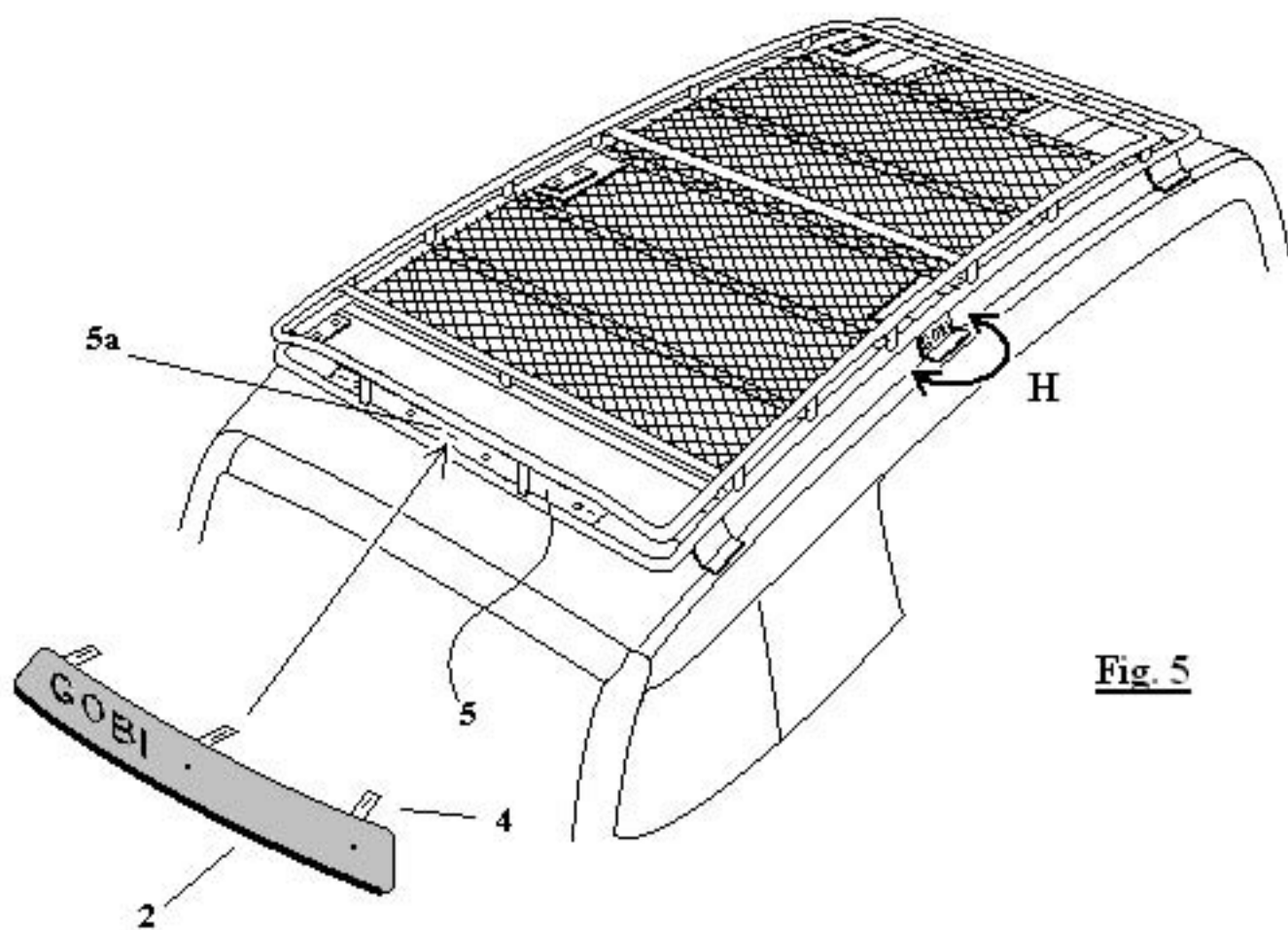


Fig. 5

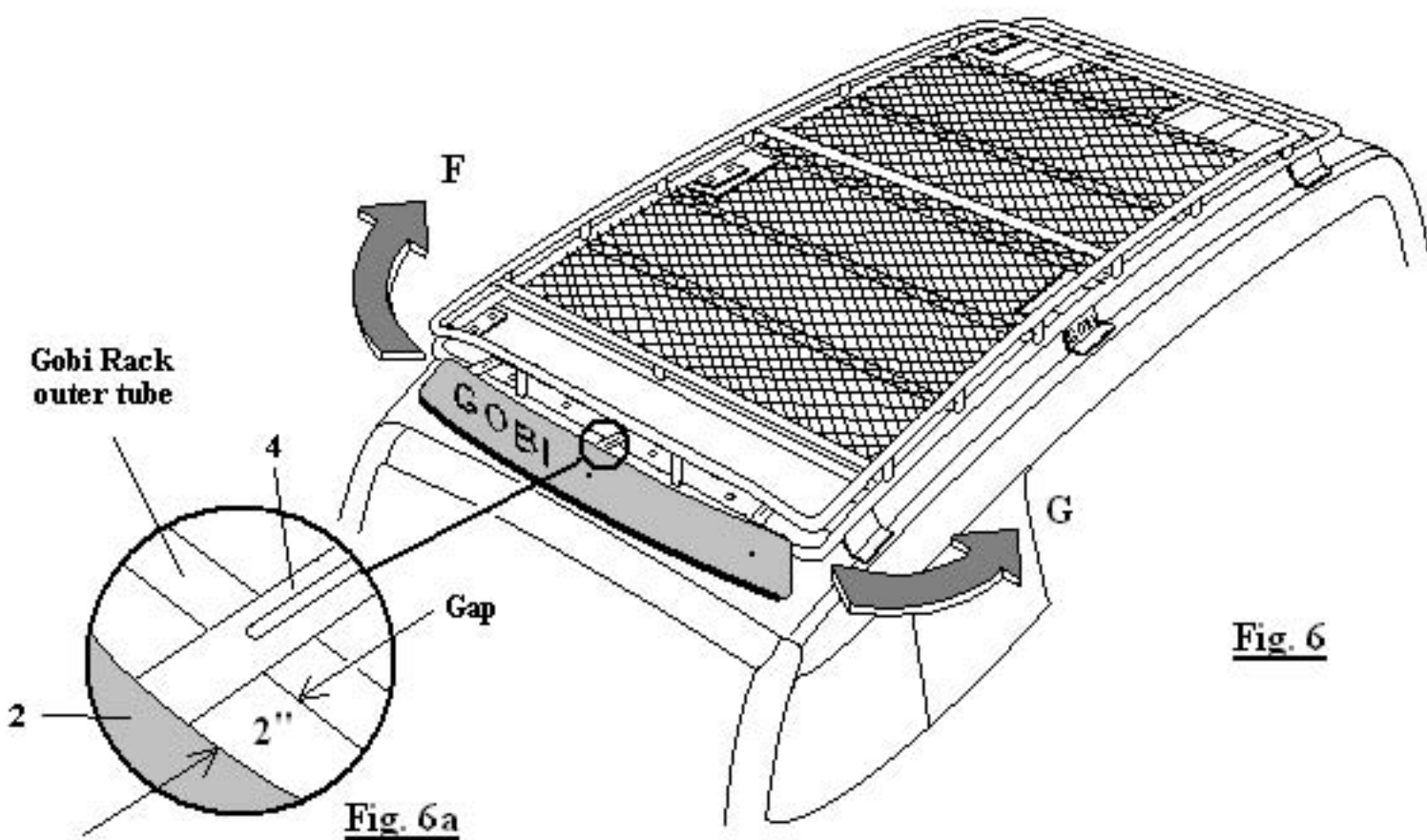


Fig. 6

Fig. 6a