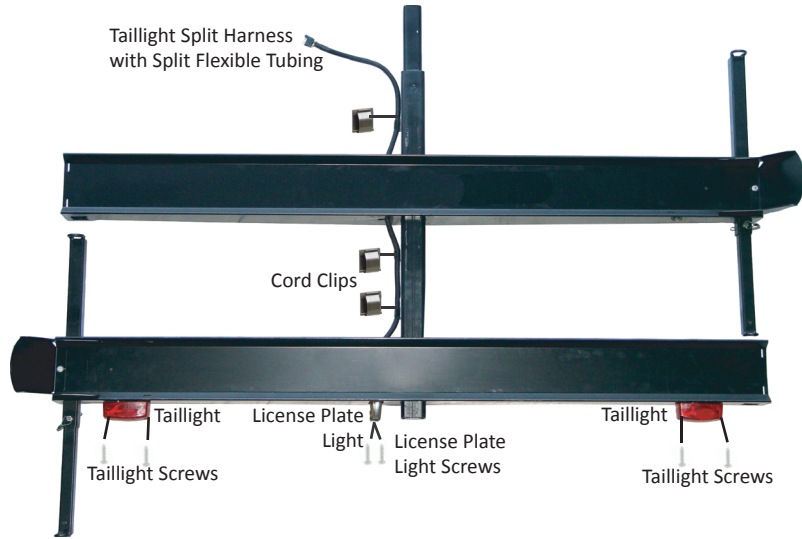


**Note:** This guide may be used for both the VH-TK Taillight Kit as well as the VH-TK LP Taillight Kit with License Plate Light. Some Steps and Parts listed in this guide apply only to the VH-TK LP and are marked as such. This guide is compatible with VH-55, VH-55 DM, VH-SPORT, and VH-90 carriers. For a wiring diagram, see back.



\*License Plate Light included with VH-TK LP models only.

## PARTS



Taillight Split Harness with Split Flexible Tubing Flat Four Connection  
VH091 and VH093



Taillight x2  
VH090



License Plate Light  
(VH-TK LP only)



Vinyl Harness Clips x3  
VH092  
(VH-TK LP includes x7)



Taillight/License Plate Light Screws x4  
5/32" screw  
(VH-TK LP includes x8)

## TOOLS



Phillips Head Screwdriver



Needle-Nose Pliers



Hammer



Punch

## WARNING

1. Read all instructions for future reference.
2. Follow all warnings and instructions marked on the product.
3. Do not stand on the VersaHaul.
4. Do not ride any vehicle while loading onto the VersaHaul.
5. Always store the VersaHaul carrier in a safe place.
6. Never exceed vehicle tongue weight ratings.
7. Only use VersaHaul with Class 3 or 4 hitch. Most Class 3 hitches limit the VersaHaul to 500 lbs. total hauling capacity.
8. Improper use, storage or installation of carrier could result in death or serious injury.
9. Do not put any VersaHaul on a 5th wheel trailer or any other kind of trailer.

## LIMITED WARRANTY

The Limited Warranty on the VersaHaul Carrier.

BNK, INC warrants the carrier and related components. This warranty applies to any part found to be defective due to material and/or workmanship when inspected at the factory of BNK, Inc., Winamac, IN. BNK Inc. will, at its option, repair or replace defective parts to the original purchaser at no charge other than transportation. Sale receipt as proof of date of purchase is required, which will be returned. BNK, Inc. assumes no liability for labor charges made in performance of this warranty.

The warranty periods are as follows from date of purchase:

**CARRIER FOR 1 YEAR, VOID IF:** frame is broken or bent due to abuse. example: (underside scraped abusively)

**ALL WARRANTIES ARE VOID IF:** the carrier has been rented, used under abnormal conditions, or subjected to abuse, misuse, neglect, or improper maintenance.

All warranties should be handled at point of purchase unless other arrangements are made.

BNK, Inc. is not liable for any damage claim or liability claim, personal or otherwise resulting from operation of this carrier in any way. All transportation charges for items returned for warranty evaluation and/or replacement are to be borne by the customer.

For one (1) year from the date of purchase, BNK, Inc. will repair or replace for the original purchaser, without charge, any part or parts are manufactured by BNK, Inc. and found, upon examination at our factory in Winamac, to be defective in materials and/or workmanship.

All transportation charges on parts submitted for replacement under this warranty must be borne by the purchaser. This warranty does not apply to parts not manufactured by BNK, Inc. Their manufacturer may warrant these items. This warranty does not apply to any part which has been damaged by accident, alteration, abuse, improper adjustment, normal wear, or any other cause beyond our control.

Use of replacement parts other than genuine BNK, Inc. parts may impair the safety of your machine and void this warranty.

## IMPORTANT

THIS WARRANTY IS VOID UNLESS THE PRODUCT REGISTRATION CARD IS FILLED OUT COMPLETELY AND RETURNED TO THE FACTORY AT WINAMAC, IN. WITHIN TEN (10) DAYS OF PURCHASE.

**OUR WARRANTY COVERS OUR PRODUCT FOR ONE YEAR. WE ARE NOT ABLE TO EXCHANGE USED VERSAHAUL CARRIERS FOR REFUNDS OR NEW CARRIERS.**



### Step 1

**Note:** It is not necessary to remove the rail for a VH-SPORT or VH-90. Before beginning, remove the outermost rail from your VersaHaul (this may dismantling your carrier completely). Next, tap out the perforated holes with a Hammer and Punch (Figure 1.1).

Insert the yellow, brown, and white wires through the hole directly next to the main tube hole (the side opposite the white VersaHaul logo) (Figure 1.2).



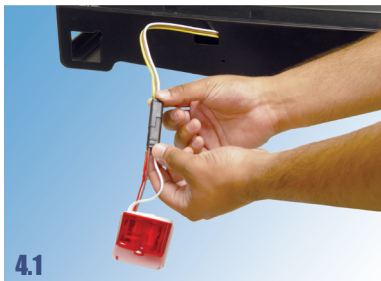
### Step 2

Using Needle-Nose Pliers, pull the cord out through the hole near the tie down tube (or tie down loop for VH-90) hole. Repeat the process for the green, brown, and white cords making sure it goes down and out the other side (Figure 2.1). Finally, pull the black and white wires out through the hole directly next to the main tube hole (the same side as the white VersaHaul logo). Turn the VersaHaul so that the yellow, brown, and white cords fall to the end that is to the left of the VersaHaul logo (Figure 2.2).



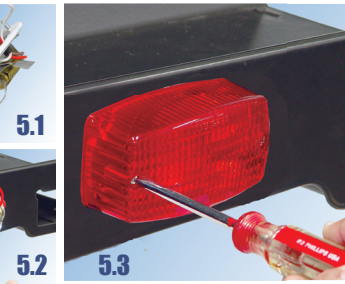
### Step 3

If you have a VH-90 or a VH-55 DM, thread the remainder of the cord through the second (or rear) rail. Remove the sealing paper from the back of the Cord Clips. Place the Clips along the main tube and push the cord into the Clips (Figures 3.1 and 3.2).



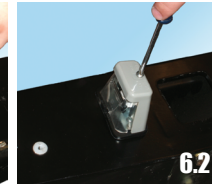
### Step 4

Attach Taillights to the two ends of the cord as shown (Figure 4.1). Attach the License Plate Light in the same manner (*model VH-TK LP only*).



### Step 5

Remove both screws on each Taillight. Place two of the Taillight Screws into opposing corner holes on the Taillight base (Figure 5.1). Remove the sealing paper on the rim of the Taillight. Align the Screws in the Taillight back plate with the holes in the rail, stick the light to the carrier, and tighten the Screws (Figure 5.2). Replace the Taillight red cover and insert and tighten the cover screws (Figure 5.3).



### Step 6

**Note:** If you did not purchase the VH-TK LP Taillight Kit with License Plate Light, skip this step. Remove the screw from the top of the License Plate Light. Place two of the Screws into the opposing holes on the License Plate Light base and, aligning the Screws with the holes in the rail, stick the light to the carrier and tighten the Screws (Figure 6.1). Replace the License Plate Light cover and insert and tighten the cover screw (Figure 6.2). Figures 6.3 and 6.4 show the finished assembly.



## WIRING DIAGRAM

