

Preparation

Part Number: PT212-35072

Kit Contents

Item #	Quantity Reqd.	Description
1	1	Skid Plate Assembly
2	1	RH Bracket Assembly
3	1	LH Bracket Assembly

Hardware Bag Contents

Item #	Quantity Reqd.	Description
1	1	Instruction Sheet
2	4	M8 Stainless Steel Bolt

Additional Items Required For Installation

Item #	Quantity Reqd.	Description
1	1	Measuring Rule
2		
3		

Conflicts

--

Recommended Tools

Personal & Vehicle Protection	Notes
Safety Glasses	
Special Tools	Notes
None	
Installation Tools	Notes
Ratchet	3/8"
Socket	12 mm
Extension	3/8"-3", 3/8" -6"
Torque Wrench	3/8" drive (25lbf-ft)
Special Chemicals	Notes
None	

General Applicability

--

Recommended Sequence of Application

Item #	Accessory
1	
2	
3	






*Mandatory

NOTE: Part number of this accessory may not be the same as the part number shown.

Vehicle Service Parts (may be required for reassembly)

Item #	Quantity Reqd.	Description
1		
2		
3		

Legend

	STOP: Damage to the vehicle may occur. Do not proceed until process has been complied with.
	OPERATOR SAFETY: Use caution to avoid risk of injury.
	CAUTION: A process that must be carefully observed in order to reduce the risk of damage to the accessory/vehicle and to ensure a quality installation.
	TOOLS & EQUIPMENT: Used in Figures calls out the specific tools and equipment recommended for this process.
	REVISION MARK: This mark highlights a change in installation with respect to previous issue.

Procedure

Care must be taken when installing this accessory to ensure damage does not occur to the vehicle. The installation of this accessory should follow approved guidelines to ensure a quality installation.

These guidelines can be found in the "Accessory Installation Practices" document.

This document covers such items as:-

- Vehicle Protection (use of covers and blankets, cleaning chemicals, etc.).
- Safety (eye protection, rechecking torque procedure, etc.).
- Vehicle Disassembly/Reassembly (panel removal, part storage, etc.).
- Electrical Component Disassembly/Reassembly (battery disconnection, connector removal, etc.).

Please see your Toyota dealer for a copy of this document.

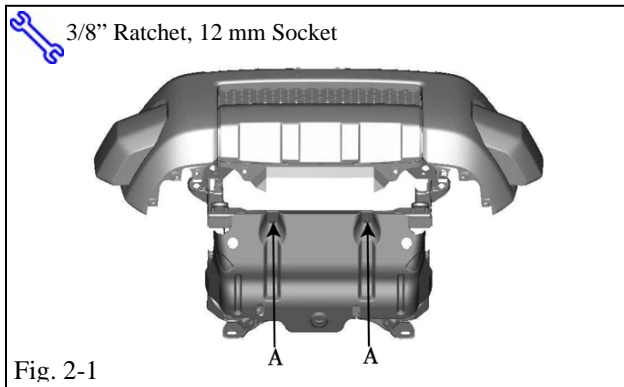
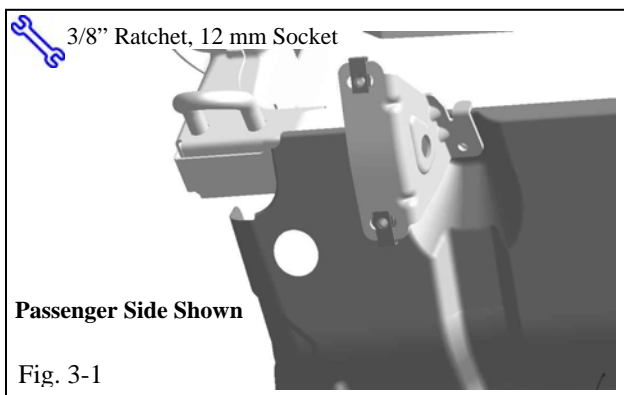


Fig. 2-1



Passenger Side Shown

Fig. 3-1

1. Remove Skid Plate from Packaging.

- (a) Remove skid plate from package and place on a clean protected surface.
- (b) Verify kit contents and inspect the skid plate for damage.

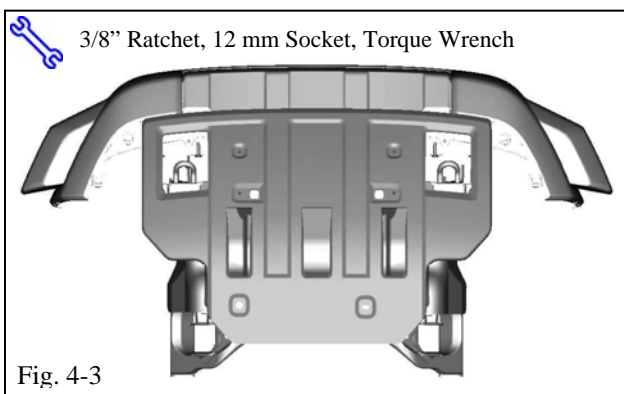
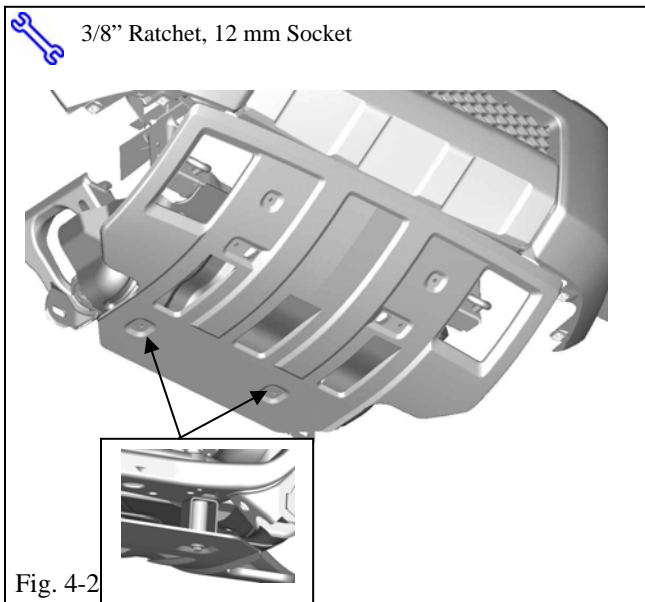
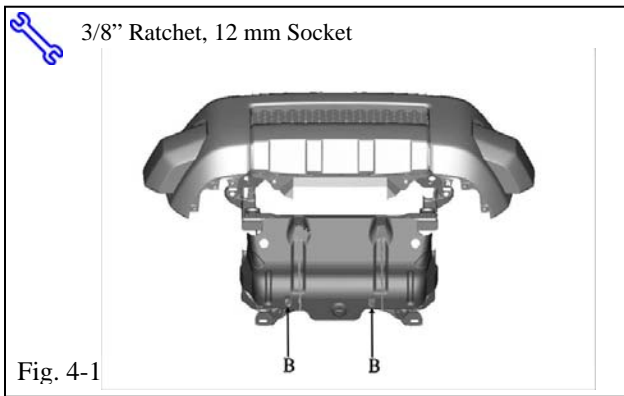
2. Skid Plate Preparation for Installation.

- (a) Locate existing vehicle engine under cover.
- (b) Remove the two (2) front M8 bolts holding the engine undercover and keep for later use. (Fig. 2-1 location A)

3. Front Bracket Installation.

- (a) Using previously removed M8 bolts, install passenger side bracket to engine undercover per illustration. Hand tighten only. (Fig. 3-1).

Repeat for Driver's Side.



4. Skid Plate Installation.

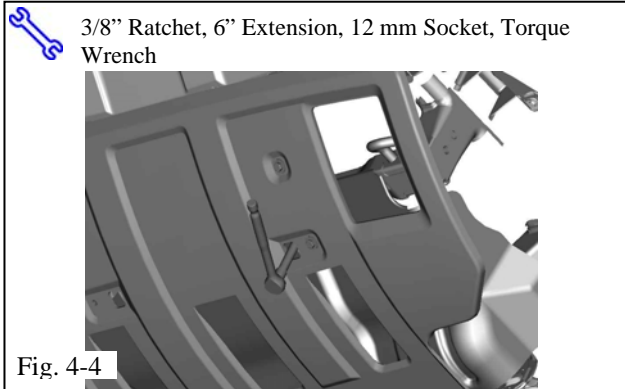
(a) Locate, remove, and discard the two (2) M8 rear bolts. (Location B Fig. 4-1).



(b) Obtain Skid Plate assembly.

(c) Align and hand tighten rear bolts and spacers through holes in the engine undercover while holding the skid plate in place against the front brackets. (Fig. 4-2).

(d) Line up skid plate and bracket holes, install (4) four stainless steel M8 bolts, hand tighten. (Fig. 4-3).

(e) Align skid plate so that it is visually centered to the front bumper.



-  (f) Torque rear bolts to 18 lbf-ft. Torque front stainless steel bolts to 18 lbf-ft.
-  (g) Insert socket & extension through clearance holes on both sides of skid plate and torque front brackets to 18 lbf-ft. (Fig. 4-4).

Checklist - these points **MUST** be checked to ensure a quality installation.

Check:

- Visual check of Skid Plate.

- Check gap.

- Inspection torque (bolts).

Look For:

Visually centered left to right, with even gap to bumper.

Gap between skid plate and vehicle bumper
- 20 mm max at the center.

18 lbf-ft +/-3 lbf-ft