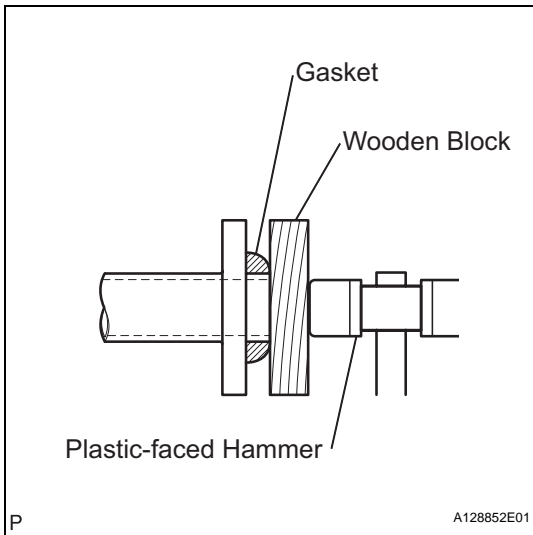
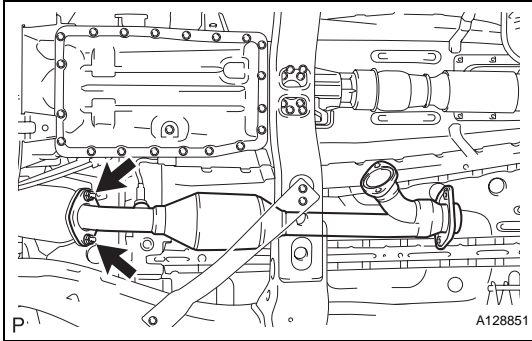


INSTALLATION

1. INSTALL FRONT EXHAUST PIPE ASSEMBLY

- (a) Install a new gasket onto the exhaust manifold RH.
- (b) Install the exhaust front pipe with the new 2 nuts.
Torque: 54 N*m (554 kgf*cm, 40 ft.*lbf)



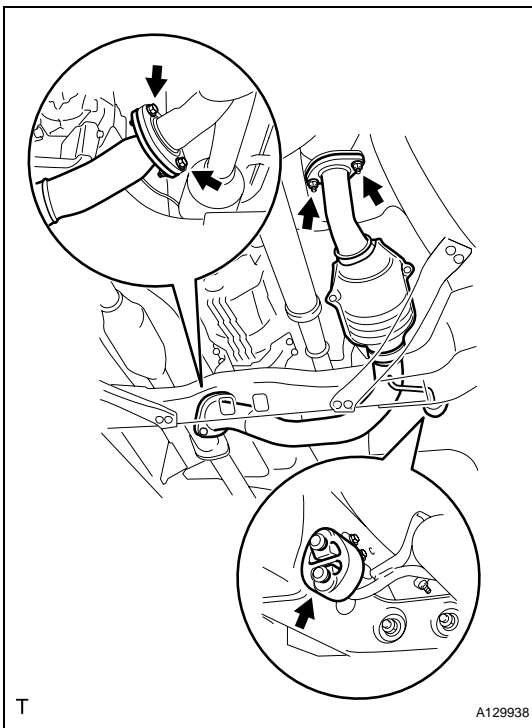
- (c) Install a new gasket onto the front exhaust pipe.
 - (1) Using a wooden block and plastic-faced hammer, tap in a new gasket until it is flush with the front exhaust pipe end.

NOTICE:

- Make sure that the gasket is in the correct direction when installing.
- Do not reuse the removed gasket.

2. INSTALL NO. 2 FRONT EXHAUST PIPE ASSEMBLY

- (a) Install a new gasket onto the exhaust manifold LH.
- (b) Install a new gasket onto the No. 2 front exhaust pipe.



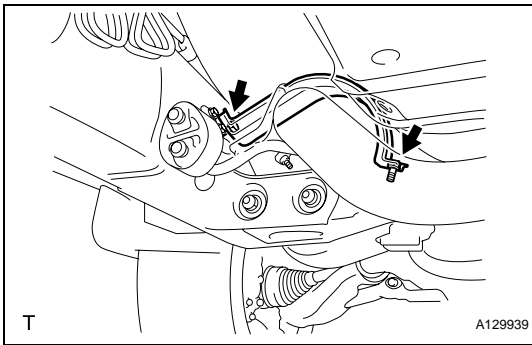
- (c) Install the No. 2 front exhaust pipe with the 2 new nuts and 2 bolts and exhaust pipe support.

Torque: Nut

54 N*m (550 kgf*cm, 40 ft.*lbf)

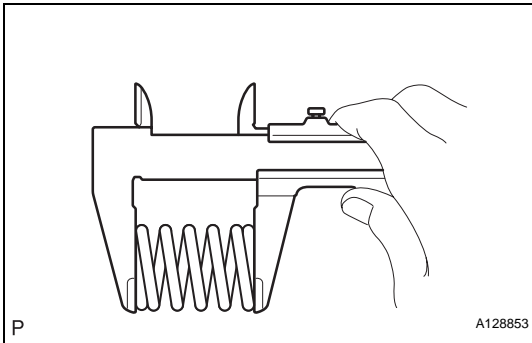
Bolt

48 N*m (489 kgf*cm, 35 ft.*lbf)



- (d) Install the exhaust pipe stopper bracket with the 2 bolts (for 4WD).

Torque: 19 N*m (193 kgf*cm, 14 ft.*lbf)



3. INSTALL CENTER EXHAUST PIPE ASSEMBLY

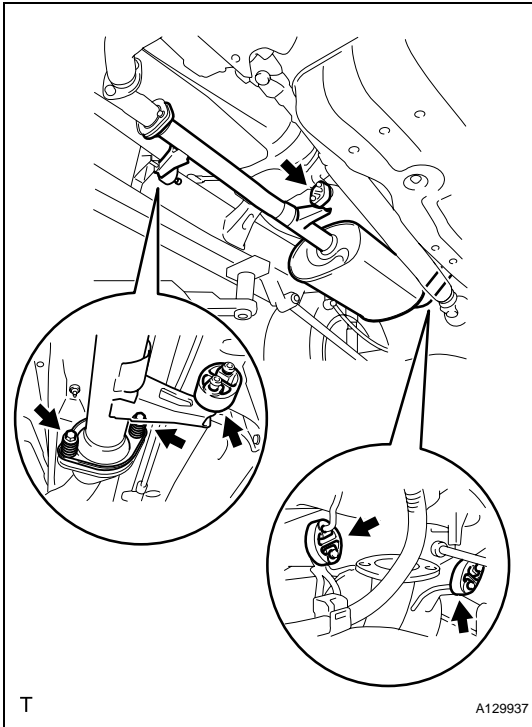
- (a) Check the free length.

- (1) Using vernier calipers, measure the free length of the compression spring.

Minimum:

40.5mm (1.594 in.)

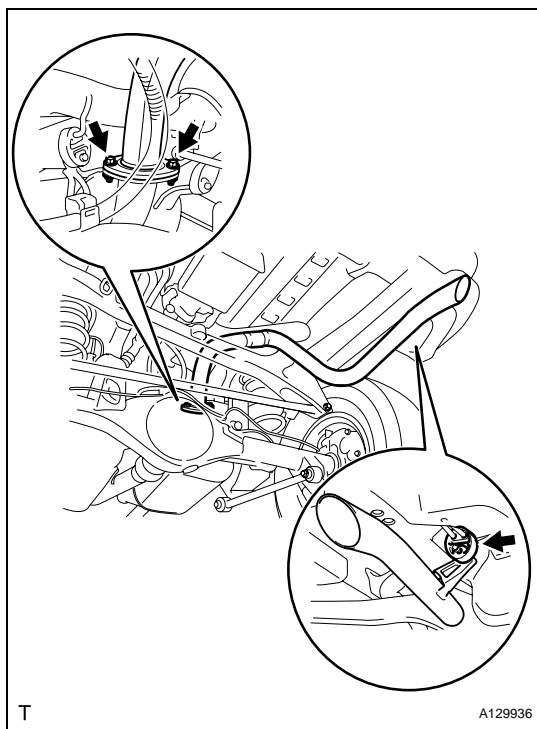
If the free length is less than the minimum, replace the compression spring.



- (b) Install the center exhaust pipe onto the 4 exhaust pipe supports.

- (c) Install the center exhaust pipe with the 2 bolts and 2 springs.

Torque: 43 N*m (438 kgf*cm, 32 ft.*lbf)

**4. INSTALL TAIL EXHAUST PIPE ASSEMBLY**

- (a) Install a new gasket onto the center exhaust pipe.
- (b) Install the tail exhaust pipe with the 2 bolts and exhaust pipe support.

Torque: 48 N*m (489 kgf*cm, 35 ft.*lbf)

5. INSTALL HEATED OXYGEN SENSOR (See page [EC-24](#))**6. CONNECT CABLE TO NEGATIVE BATTERY TERMINAL**

Torque: 3.9 N*m (40 kgf*cm, 35 in.*lbf)

7. CHECK EXHAUST GAS LEAKAGE