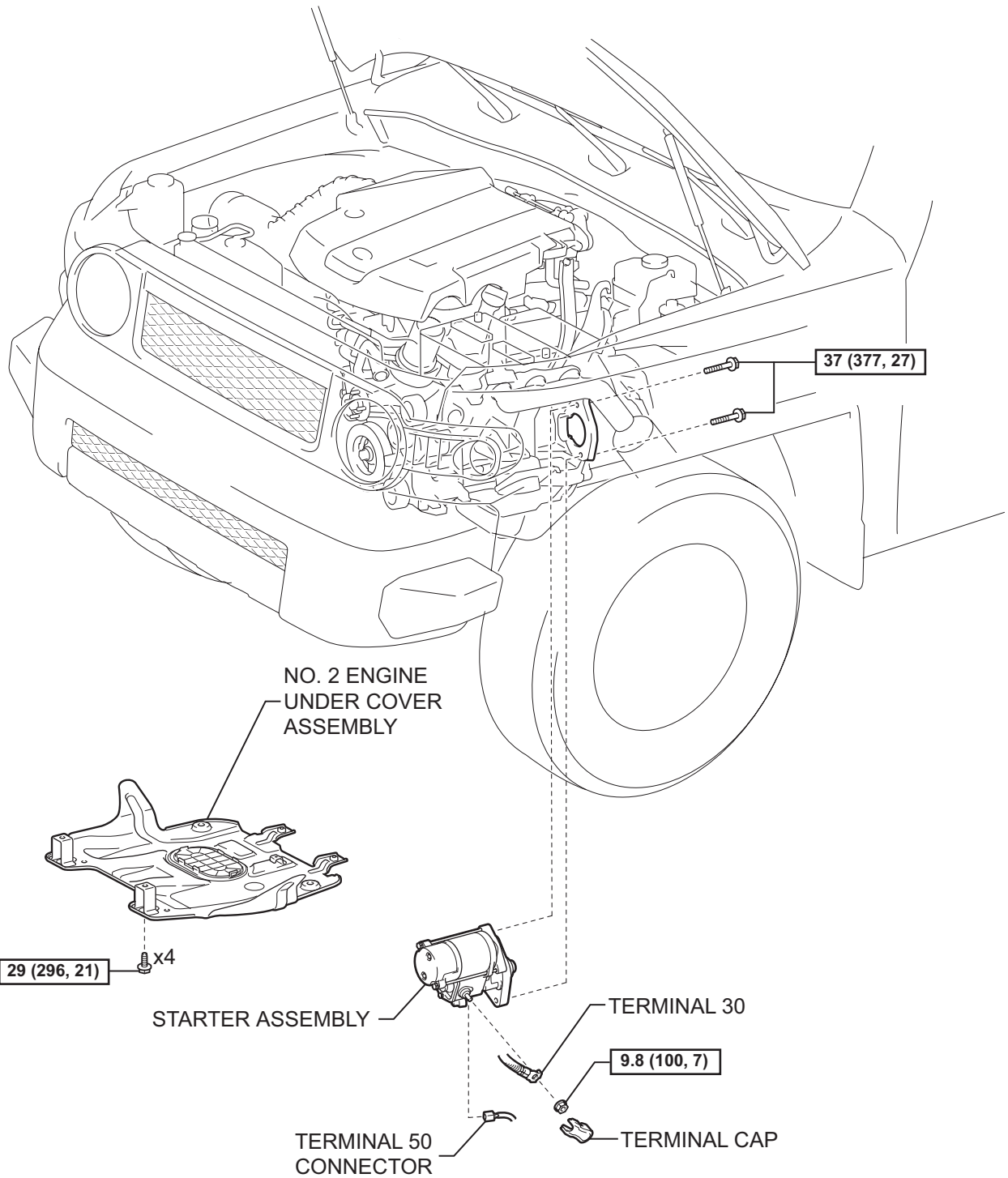
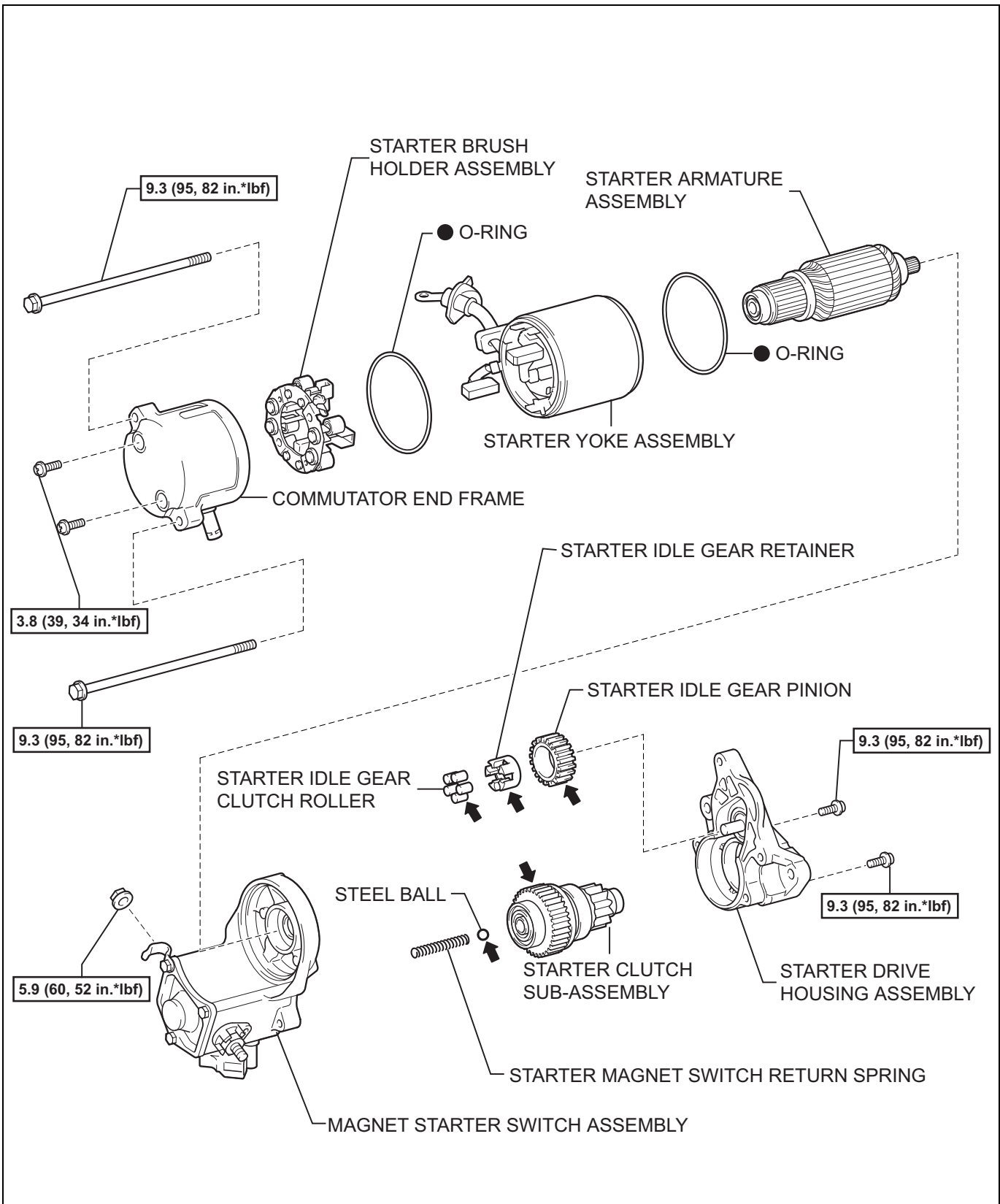


STARTER COMPONENTS



ST

N*m (kgf*cm, ft.*lbf) : Specified torque



N*m (kgf*cm, ft.*lbf) : Specified torque

● Non-reusable part ◀ Apply grease

ST