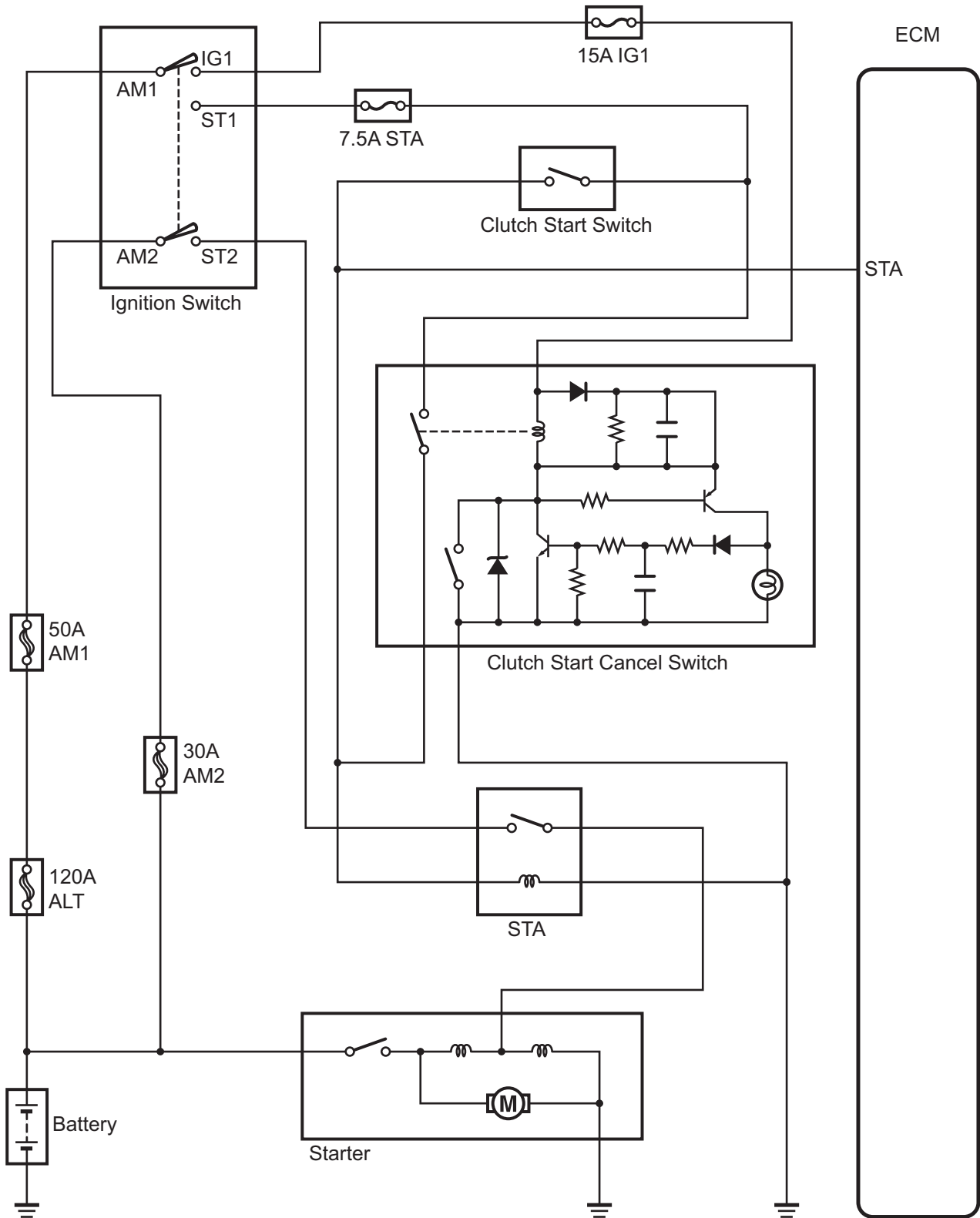


SYSTEM DIAGRAM

For Manual Transmission Models :

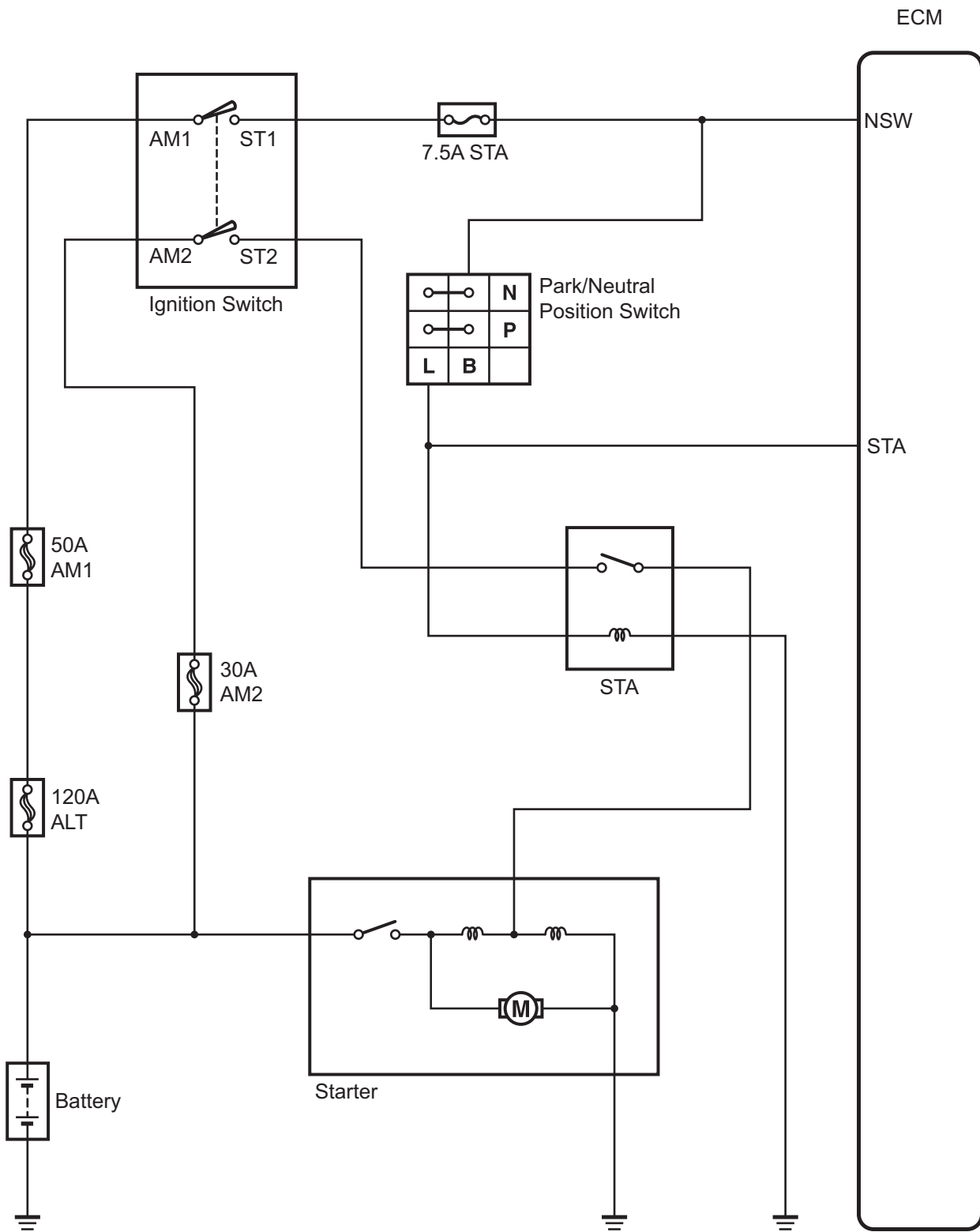


N

A129969E01

ST

For Automatic Transmission Models :



ST