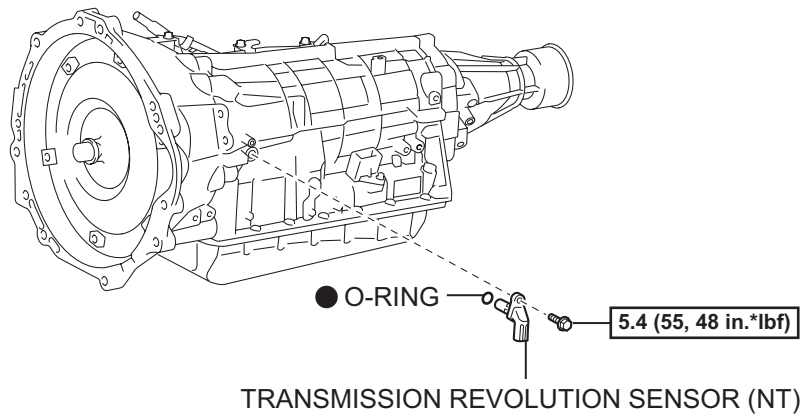
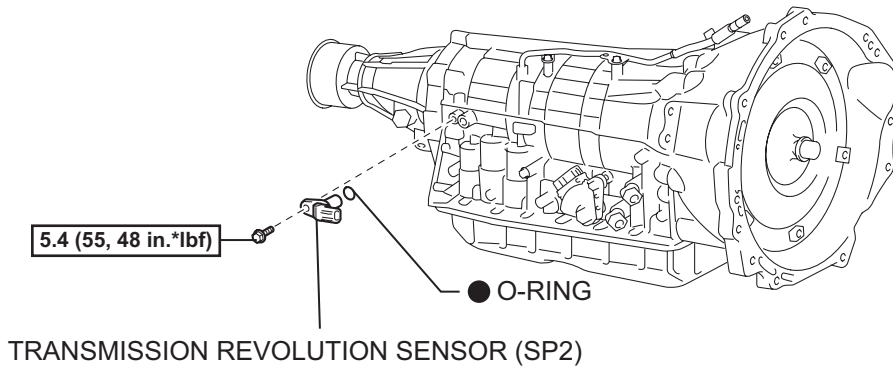


SPEED SENSOR COMPONENTS



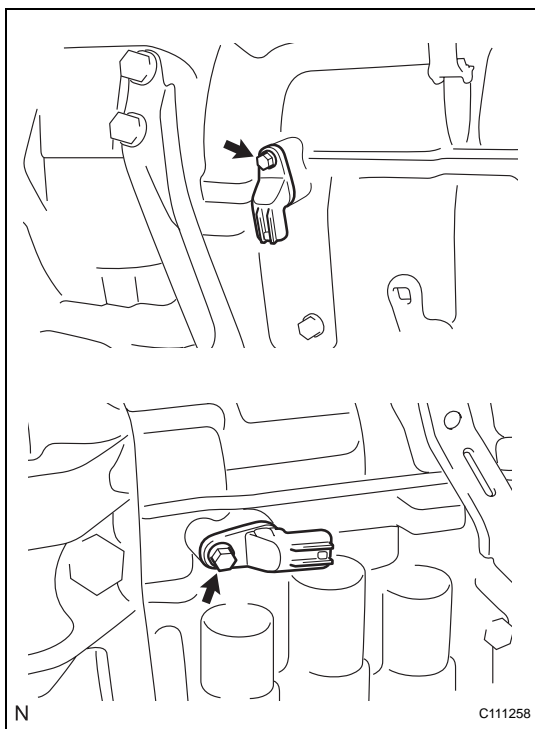
N*m (kgf*cm, ft*lbf) :Specified torque

● Non-reusable part

REMOVAL

1. REMOVE TRANSMISSION REVOLUTION SENSOR

- (a) Disconnect the 2 sensor connectors.
- (b) Remove the 2 bolts and transmission revolution sensors.
- (c) Remove the O-ring from each sensor.



N

C111258

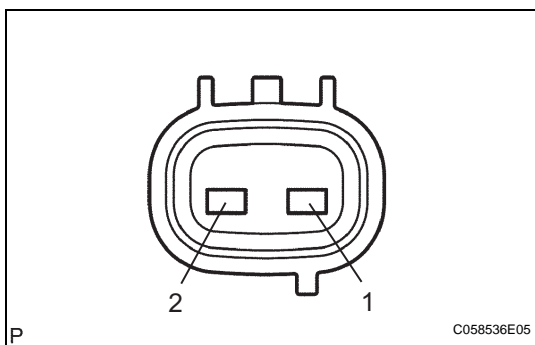
INSPECTION

1. INSPECT TRANSMISSION REVOLUTION SENSOR (NT)

- (a) Measure the resistance of the sensor.

Standard resistance

Tester Connection	Condition	Specified Condition
1 - 2	20°C (68°F)	560 to 680 Ω



P

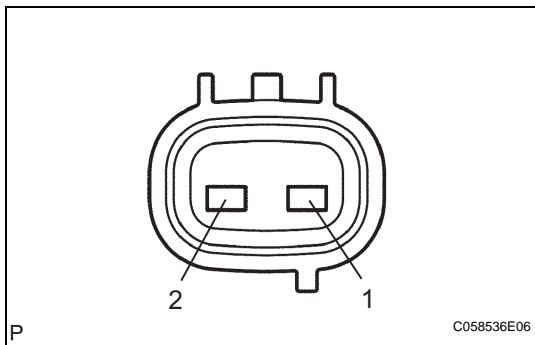
C058536E05

2. INSPECT TRANSMISSION REVOLUTION SENSOR (SP2)

- (a) Measure the resistance of the sensor.

Standard resistance

Tester Connection	Condition	Specified Condition
1 - 2	20°C (68°F)	560 to 680 Ω



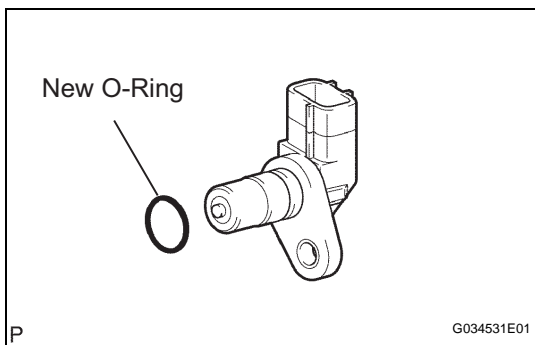
P

C058536E06

INSTALLATION

1. INSTALL TRANSMISSION REVOLUTION SENSOR

- (a) Coat 2 new O-rings with ATF and install one onto each transmission revolution sensor.



P

G034531E01



- (b) Install the 2 transmission revolution sensors with the 2 bolts.

Torque: 5.4 N*m (55 kgf*cm, 48 in.*lbf)

- (c) Connect the 2 sensor connectors.