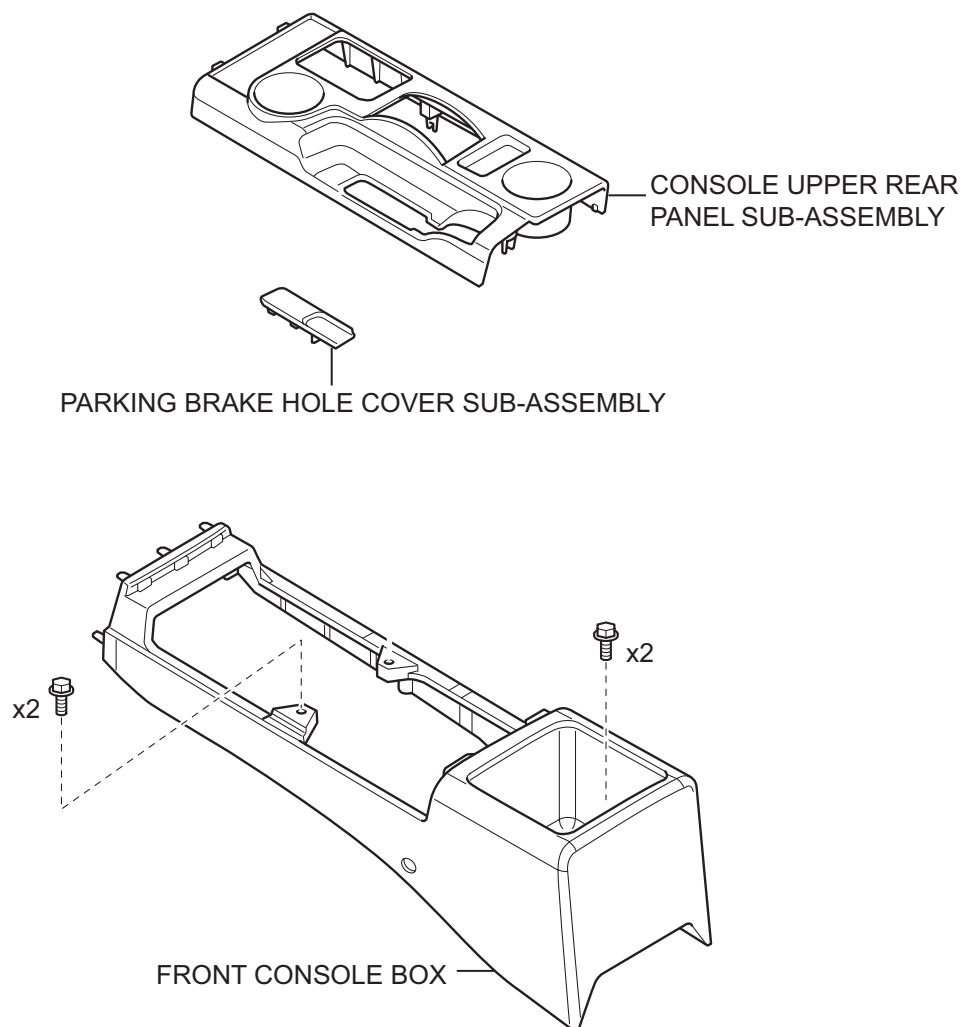
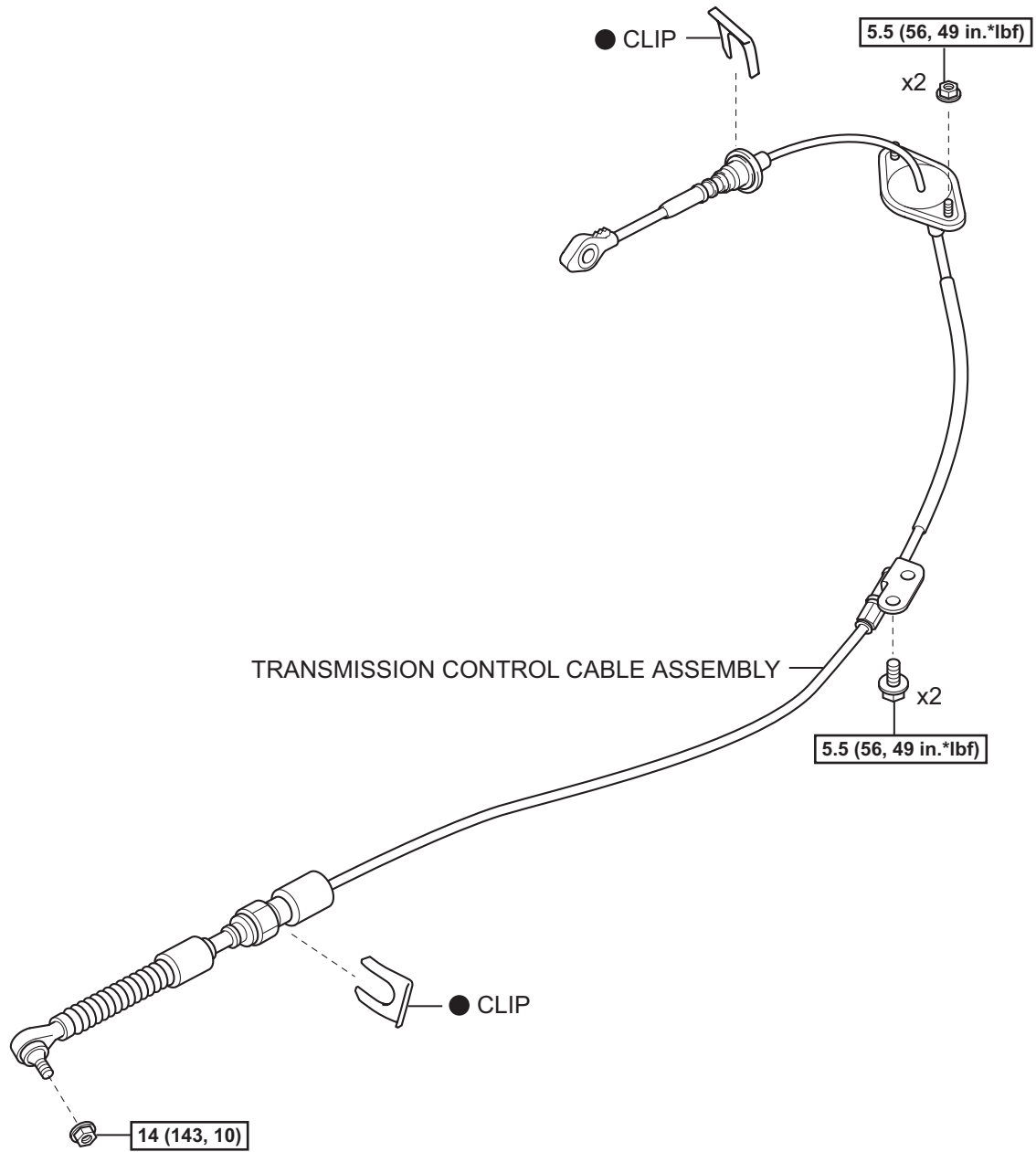


TRANSMISSION CONTROL CABLE

COMPONENTS



AT



N*m (kgf*cm, ft*lbf) :Specified torque

● Non-reusable part

AT

Y