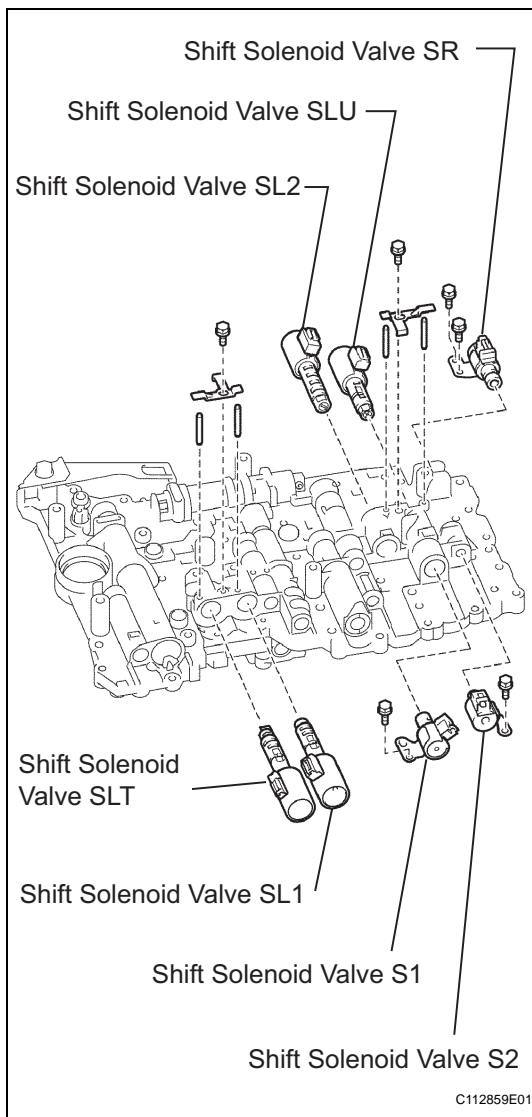
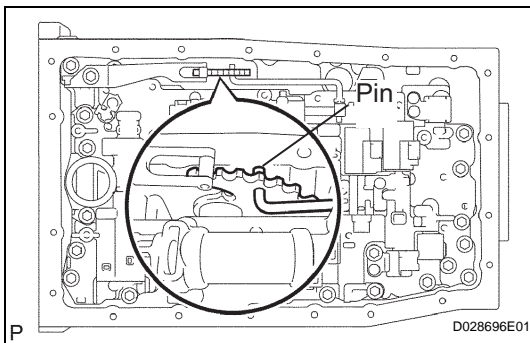


## REASSEMBLY



### 1. INSTALL SHIFT SOLENOID VALVE

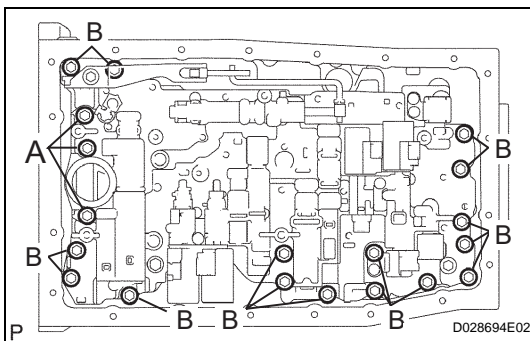
- Install the shift solenoid valve S2 with the bolt.  
**Torque: 10 N\*m (100 kgf\*cm, 7 ft.\*lbf)**
- Install the shift solenoid valve S1 with the bolt.  
**Torque: 6.4 N\*m (65 kgf\*cm, 56 in.\*lbf)**
- Install the shift solenoid valve SR with the 2 bolts.  
**Torque: 6.4 N\*m (65 kgf\*cm, 56 in.\*lbf)**
- Install the shift solenoid valves SLU and SL2 with the 2 pins, lock plate and bolt.  
**Torque: 6.4 N\*m (65 kgf\*cm, 56 in.\*lbf)**
- Install the shift solenoid valves SLT and SL1 with the 2 pins, lock plate and bolt.  
**Torque: 6.4 N\*m (65 kgf\*cm, 56 in.\*lbf)**



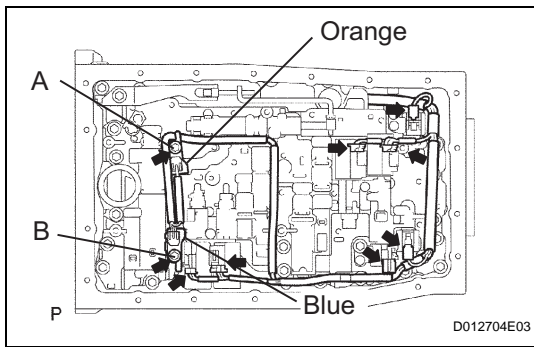
## INSTALLATION

### 1. INSTALL TRANSMISSION VALVE BODY ASSEMBLY

- Insert the pin of the lever into the hole of the manual valve.
- Install 3 new drum seal gaskets onto the transmission case.



- Install the 19 bolts.  
**Torque: 11 N\*m (112 kgf\*cm, 8 ft.\*lbf)**  
HINT:  
Bolt length:  
36 mm (1.42 in.) for bolt A  
25 mm (0.98 in.) for bolt B



## 2. CONNECT TRANSMISSION WIRE

- (a) Connect the 7 connectors to the solenoid valves.
- (b) Install the 2 clamps with the 2 bolts.

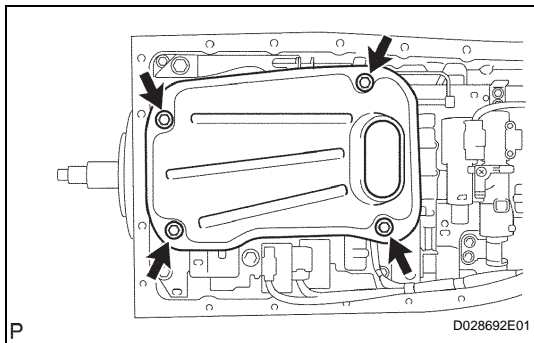
**Torque: 10 N\*m (100 kgf\*cm, 7 in.\*lbf) for bolt A**  
**11 N\*m (112 kgf\*cm, 8 ft.\*lbf) for bolt B**

**Bolt length:**

**12 mm (0.47 in.) for bolt A**

**36 mm (1.42 in.) for bolt B**

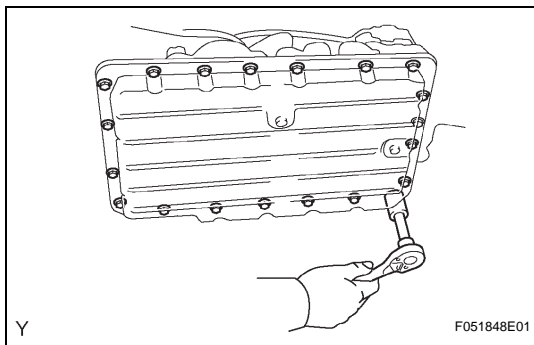
- (c) Connect the ATF temperature sensor.



## 3. INSTALL VALVE BODY OIL STRAINER ASSEMBLY

- (a) Install a new O-ring and the oil strainer with the 4 bolts.

**Torque: 10 N\*m (100 kgf\*cm, 7 ft.\*lbf)**



## 4. INSTALL AUTOMATIC TRANSMISSION OIL PAN SUB-ASSEMBLY

**HINT:**

Remove the gasket and be careful not to spill oil on the contacting surfaces of the transmission case and oil pan.

- (a) Install a new gasket and the oil pan with the 20 bolts.

**Torque: 4.4 N\*m (45 kgf\*cm, 39 in.\*lbf)**

## 5. CONNECT CABLE TO NEGATIVE BATTERY TERMINAL

**Torque: 3.9 N\*m (40 kgf\*cm, 35 in.\*lbf)**

## 6. PERFORM INITIALIZATION

(See page [AT-19](#))

## 7. ADJUST AUTOMATIC TRANSMISSION FLUID

(See page [AT-140](#))