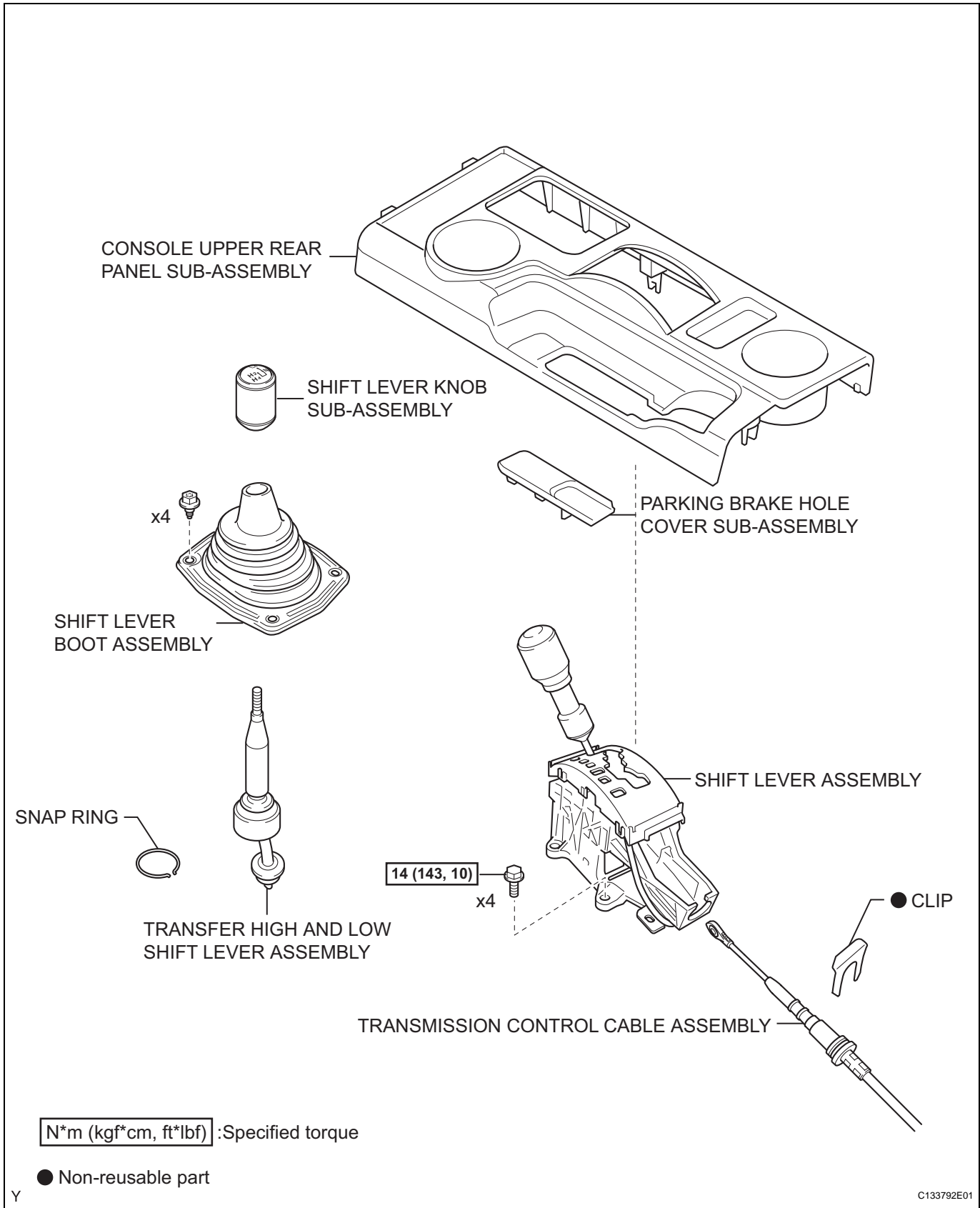
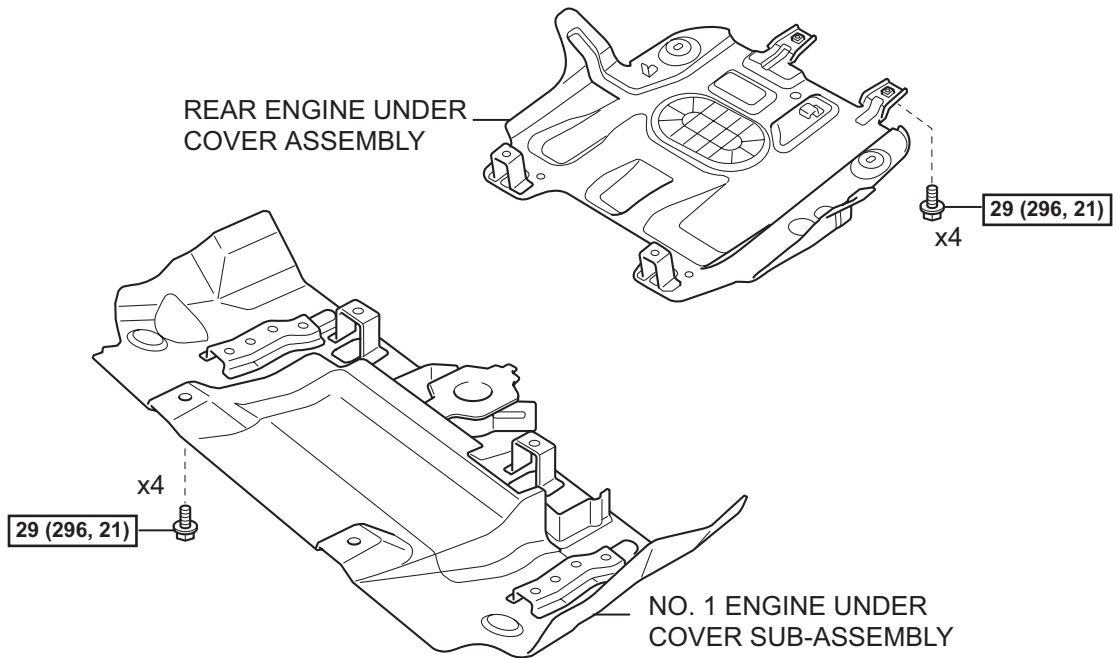
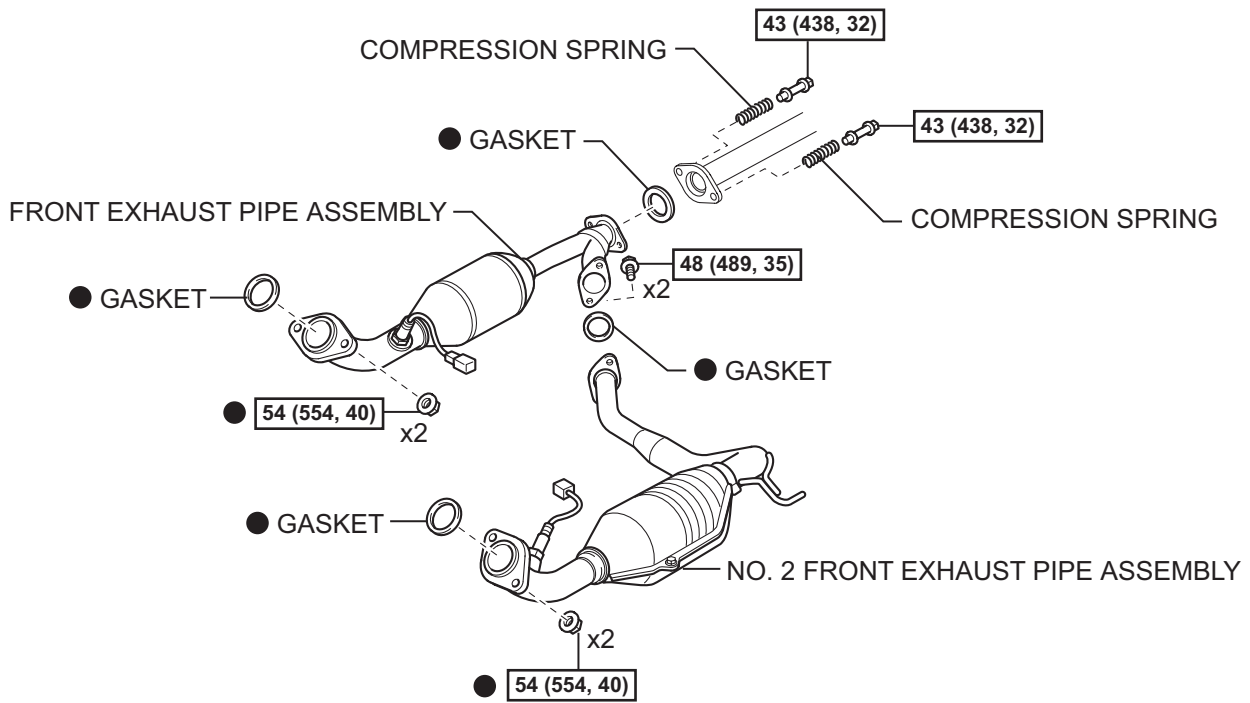


# AUTOMATIC TRANSMISSION ASSEMBLY

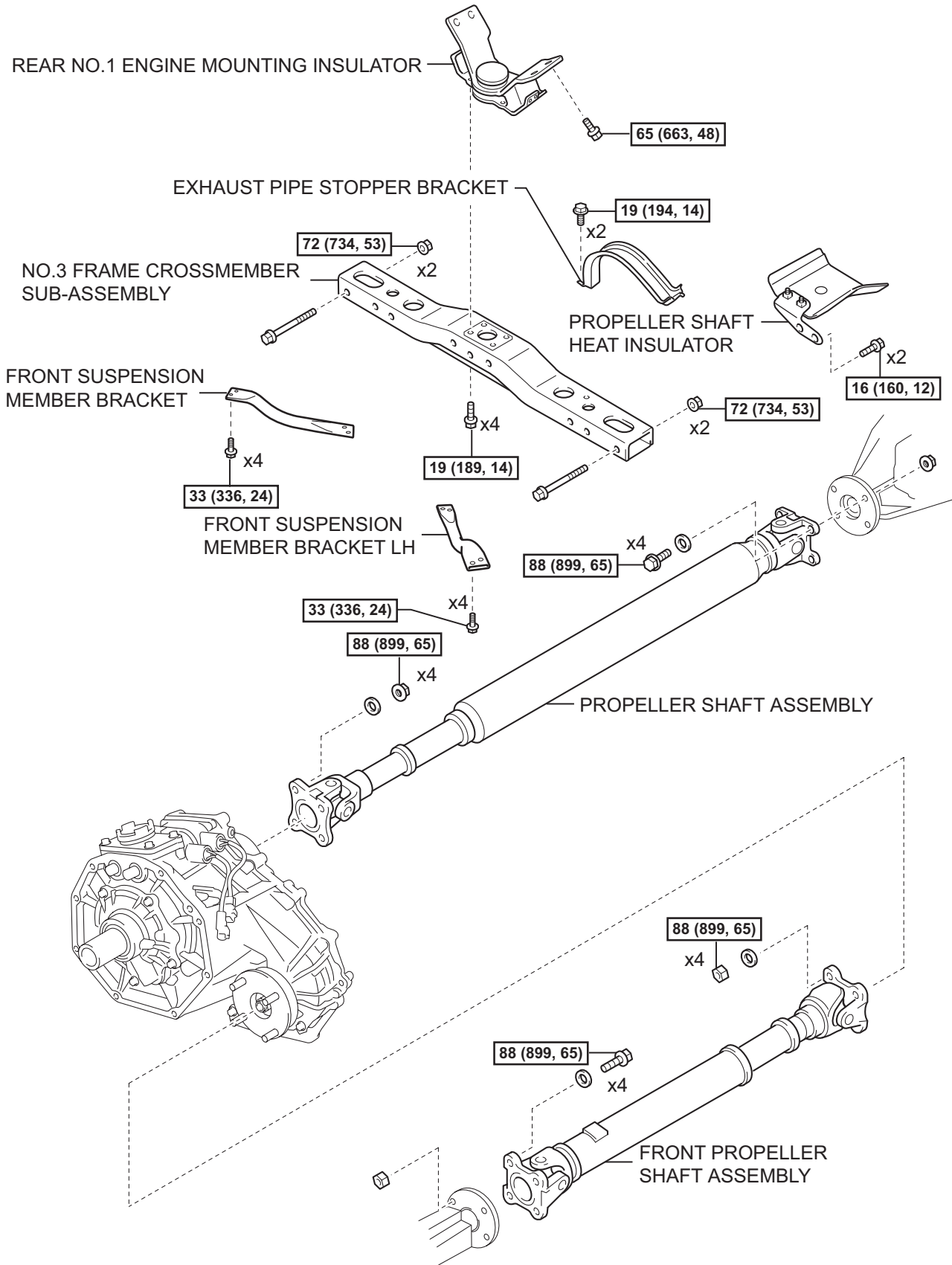
## COMPONENTS





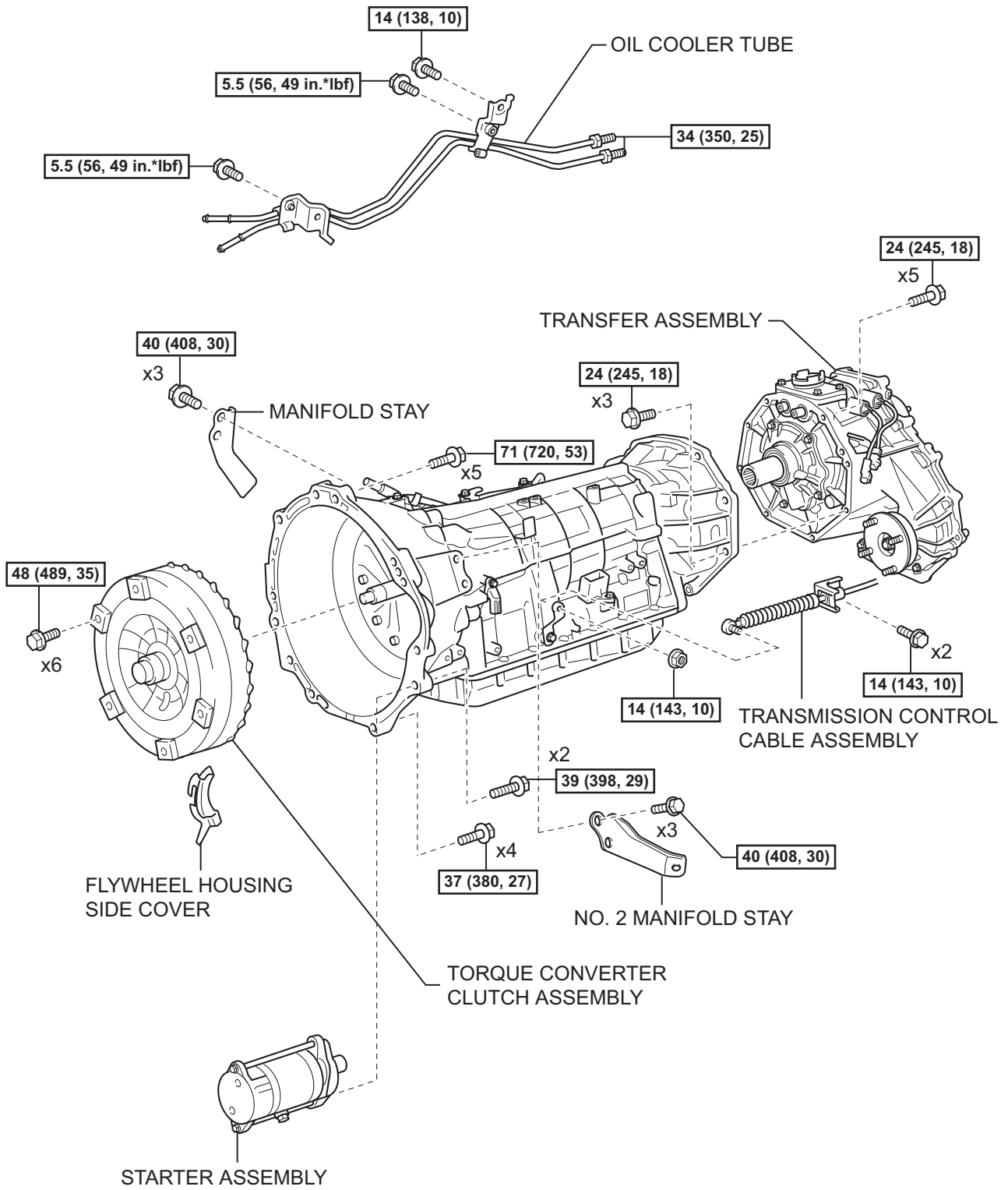
**N\*m (kgf\*cm, ft\*lbf)** :Specified torque

● Non-reusable part



N\*m (kgf\*cm, ft\*lbf) :Specified torque

AT



N\*m (kgf\*cm, ft\*lbf) : Specified torque

AT