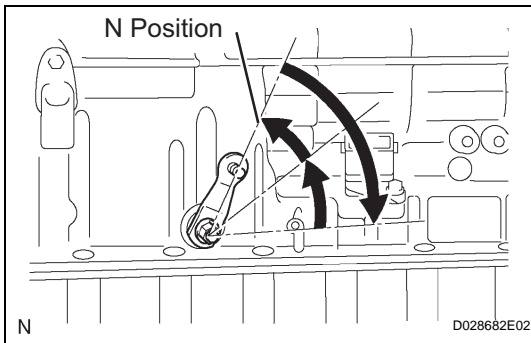


ADJUSTMENT

1. INSPECT SHIFT LEVER POSITION

- Check that the shift lever moves smoothly and appropriately from the P to the R position, only when the ignition switch is turned to ON and the brake pedal is depressed.
- When starting the engine, make sure that the vehicle moves forward when shifting the lever from the N to the D position and moves rearward when shifting the lever to the R position.



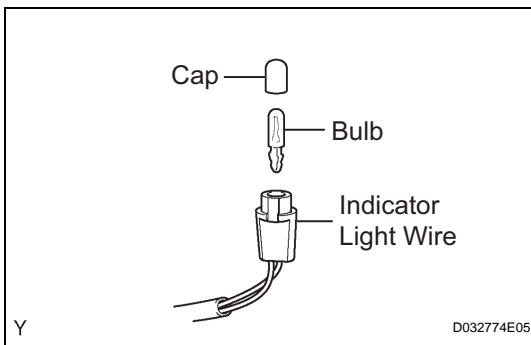
2. ADJUST SHIFT LEVER POSITION

- Push the control shaft fully rearward.
- Turn the control shaft lever 2 notches counterclockwise to the N position.
- Set the shift lever to the N position.

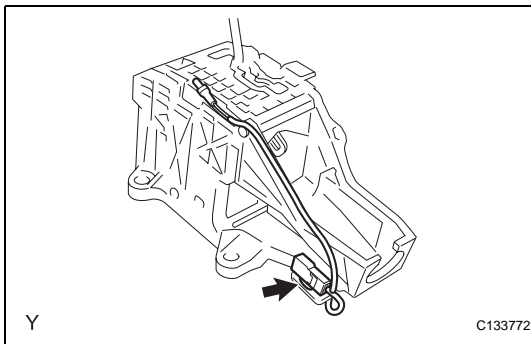
REASSEMBLY

1. INSTALL INDICATOR LIGHT WIRE SUB-ASSEMBLY

- Install the bulb and cap onto the indicator light wire.

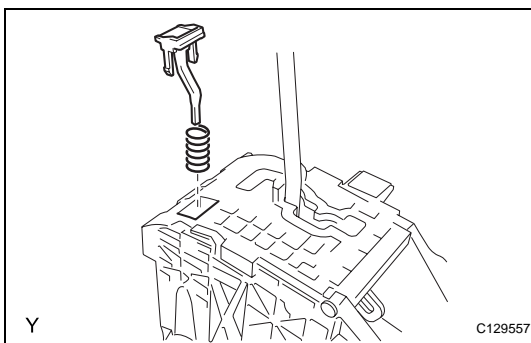


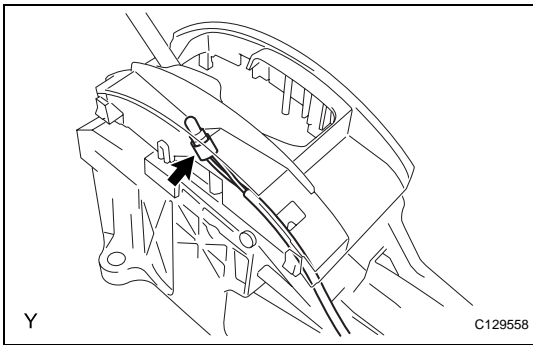
- Connect the indicator light wire connector onto the shift lever assembly.



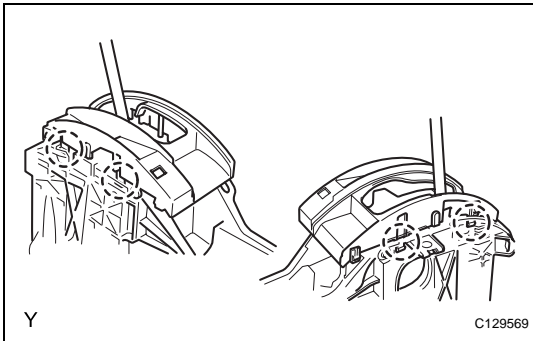
2. INSTALL SHIFT LOCK RELEASE BUTTON

- Apply MP grease to the shift lock release button and spring.
- Install the shift lock release button and spring onto the shift lever.



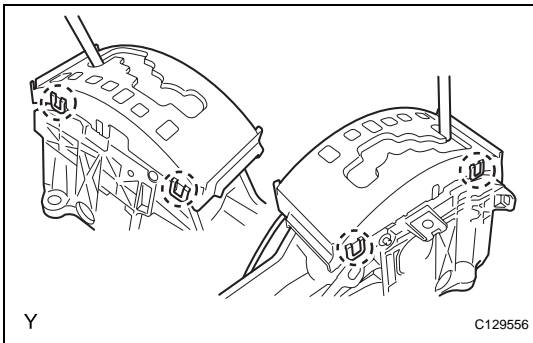


3. **INSTALL POSITION INDICATOR HOUSING LOWER**
 - (a) Connect the indicator light wire connector onto the position indicator housing lower.



- (b) Engage the 4 claws to install the position indicator housing lower.

4. **INSTALL NO. 2 POSITION INDICATOR SLIDE COVER**
5. **INSTALL POSITION INDICATOR SLIDE COVER**

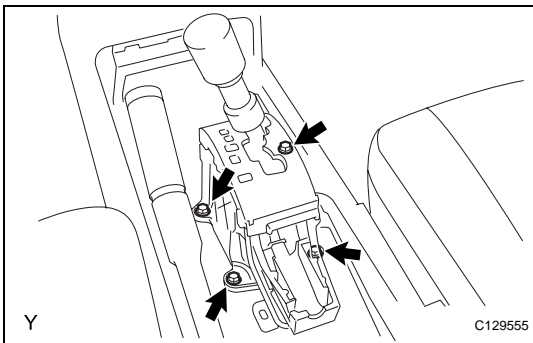


6. **INSTALL FLOOR SHIFT POSITION INDICATOR HOUSING SUB-ASSEMBLY**
 - (a) Engage the 4 claws to install the position indicator housing.

7. **INSTALL SHIFT LEVER KNOB SUB-ASSEMBLY**

INSTALLATION

1. **INSTALL SHIFT LEVER ASSEMBLY**
 - (a) Install the shift lever with the 4 bolts.
Torque: 14 N*m (143 kgf*cm, 10 ft.*lbf)
 - (b) Connect the indicator light connector.
 - (c) Connect the shift lock control computer connector.



2. **CONNECT TRANSMISSION CONTROL CABLE ASSEMBLY**

- (a) Connect the control cable with the lock clip.

3. **INSTALL CONSOLE UPPER REAR PANEL SUB-ASSEMBLY (See page IP-31)**

4. **INSTALL PARKING BRAKE HOLE COVER SUB-ASSEMBLY (See page IP-32)**

5. **INSPECT SHIFT LEVER POSITION (See page AT-171)**

6. **ADJUST SHIFT LEVER POSITION (See page AT-172)**

