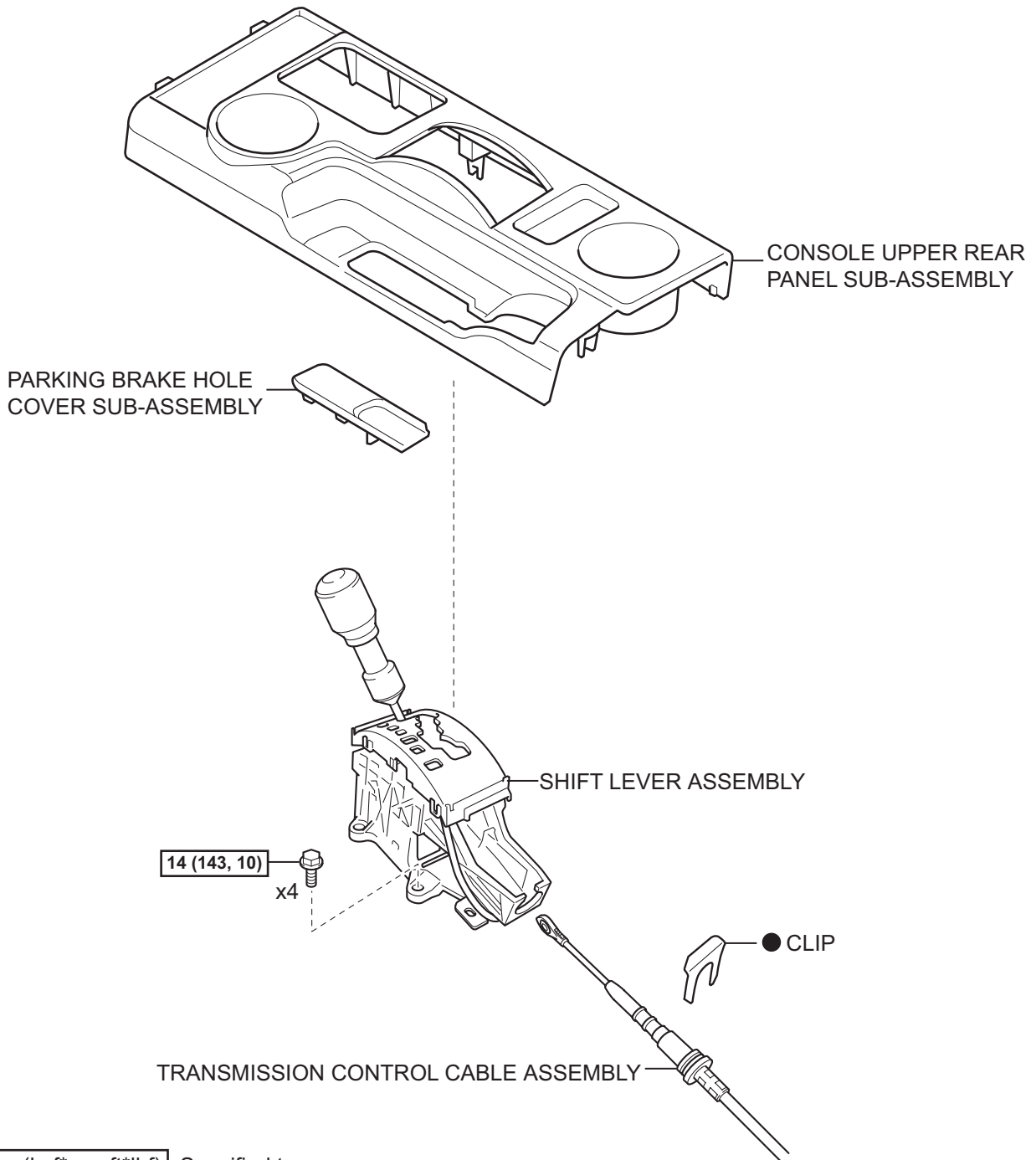


# FLOOR SHIFT ASSEMBLY

## COMPONENTS

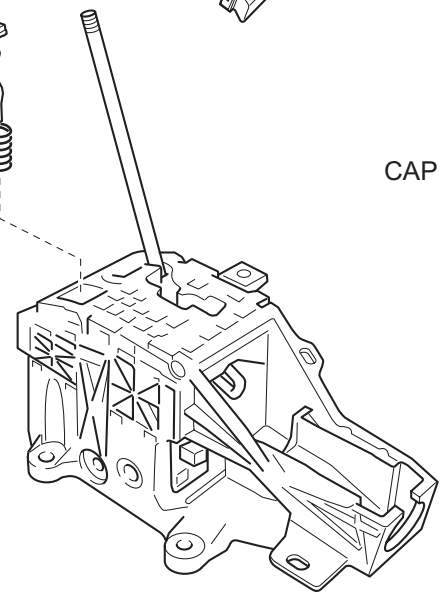
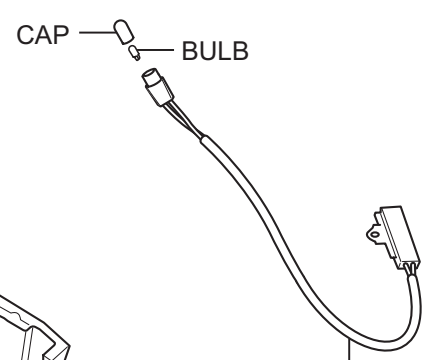
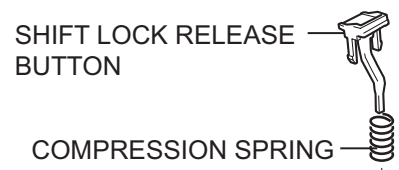
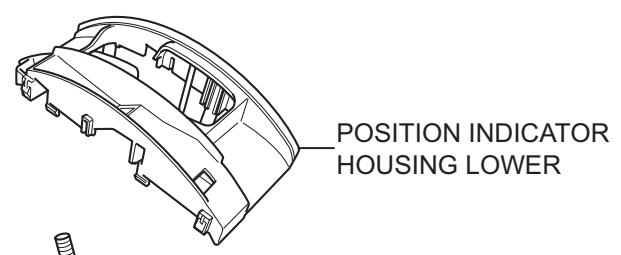
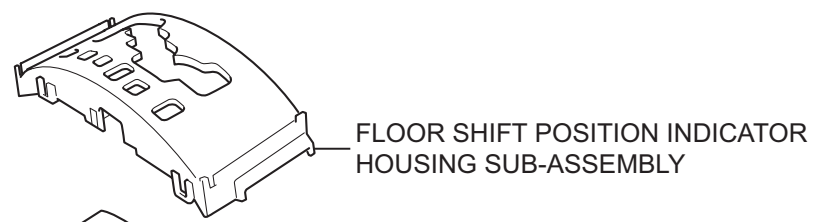
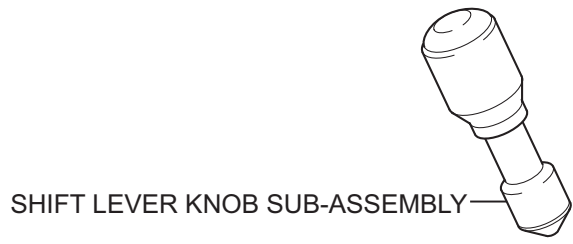


**N\*m (kgf\*cm, ft\*lbf)** :Specified torque

● Non-reusable part

AT

Y



AT