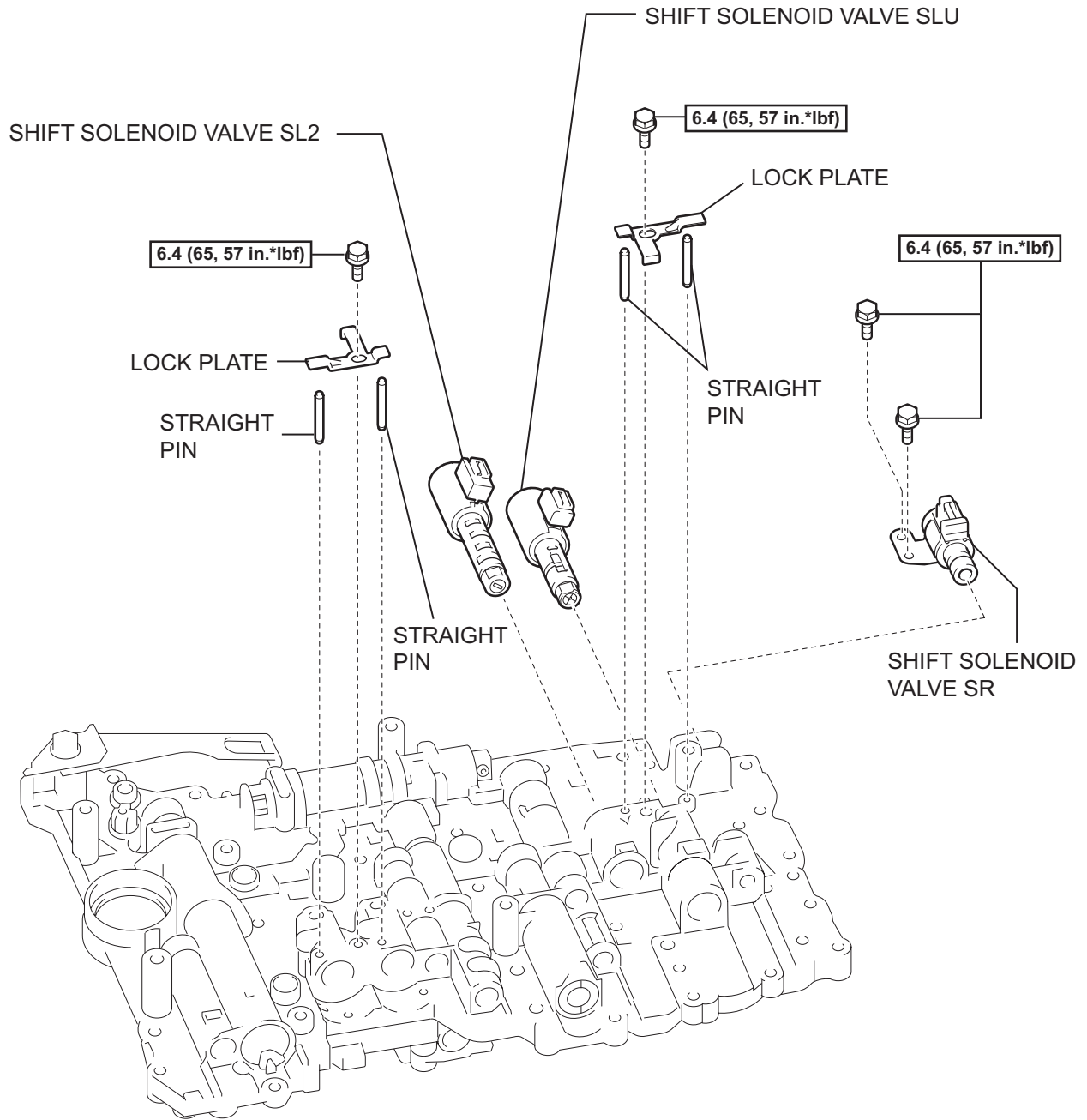
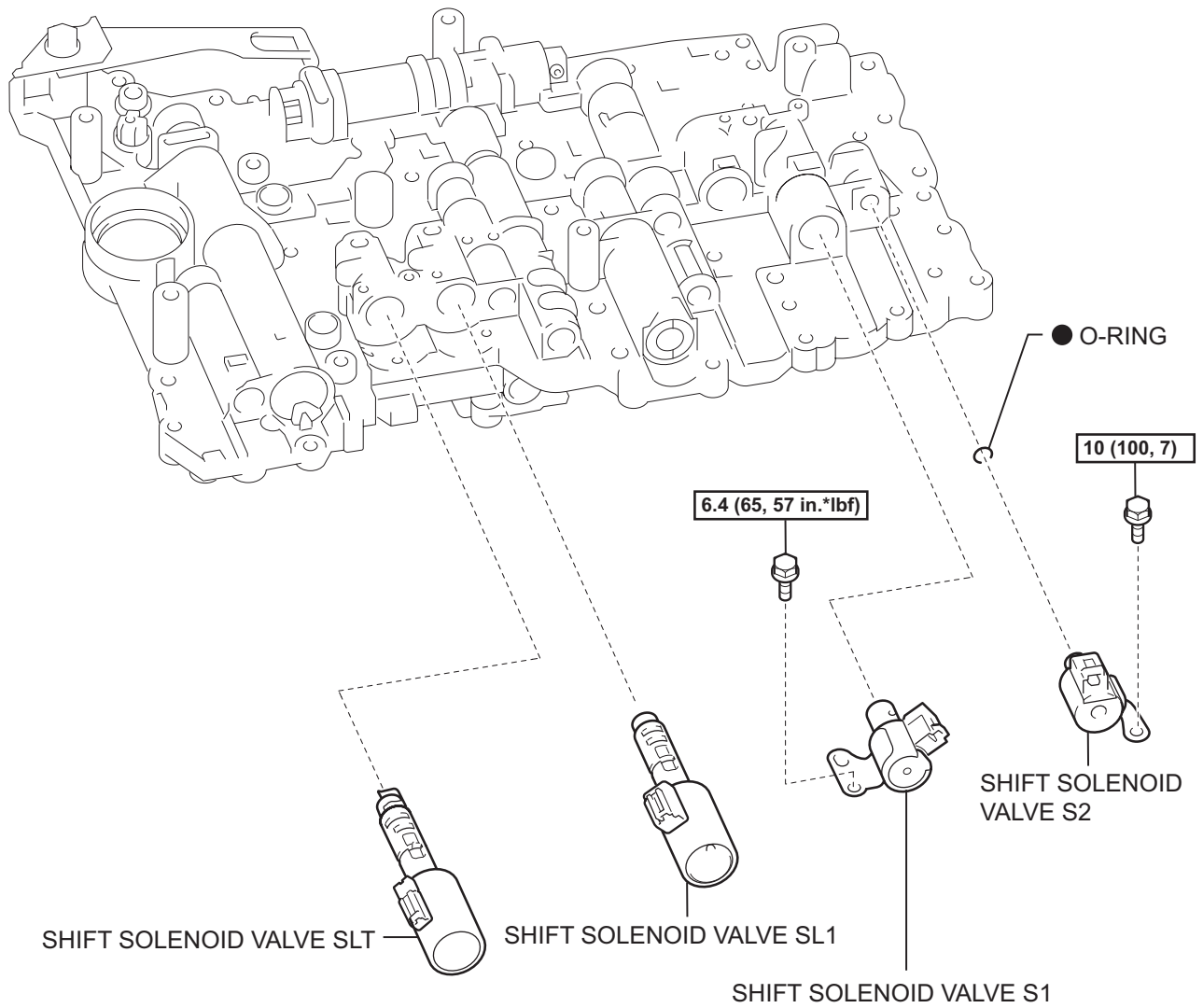


VALVE BODY COMPONENTS



AT

N*m (kgf*cm, ft*lbf) :Specified torque

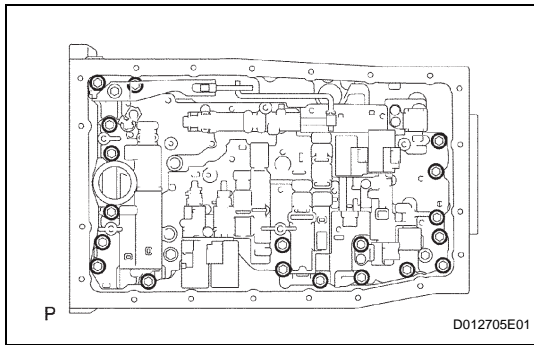


AT

N*m (kgf*cm, ft*lbf) :Specified torque

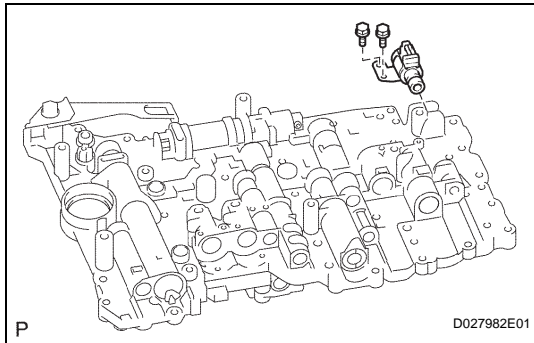
● Non-reusable part

DISASSEMBLY



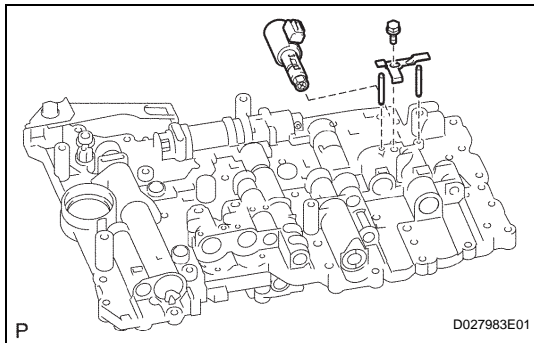
1. REMOVE TRANSMISSION VALVE BODY ASSEMBLY

- (a) Remove the 19 bolts.
- (b) Remove the valve body assembly.



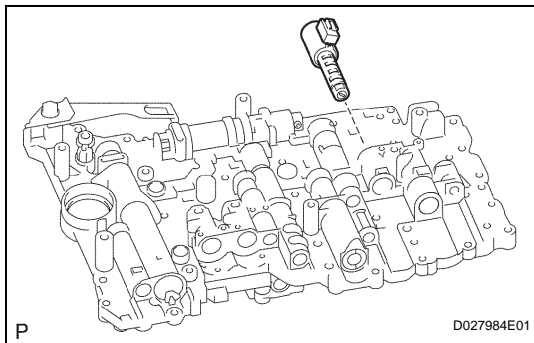
2. REMOVE SHIFT SOLENOID VALVE SR

- (a) Remove the 2 bolts and the shift solenoid valve SR.



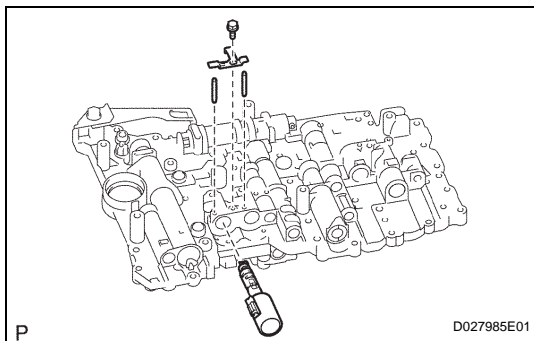
3. REMOVE SHIFT SOLENOID VALVE SLU

- (a) Remove the bolt, 2 straight pins and the solenoid lock plate.
- (b) Remove the shift solenoid valve SLU.



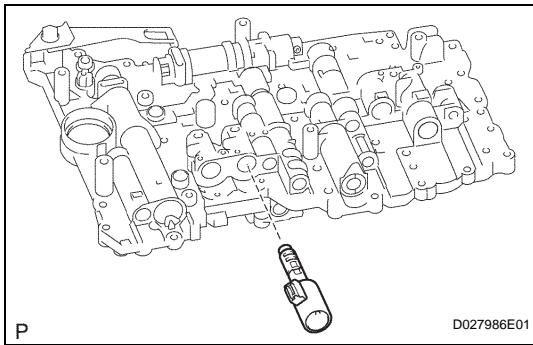
4. REMOVE SHIFT SOLENOID VALVE SL2

- (a) Remove the shift solenoid valve SL2.

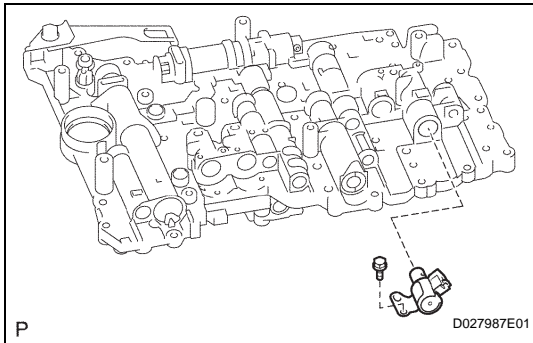


5. REMOVE SHIFT SOLENOID VALVE SLT

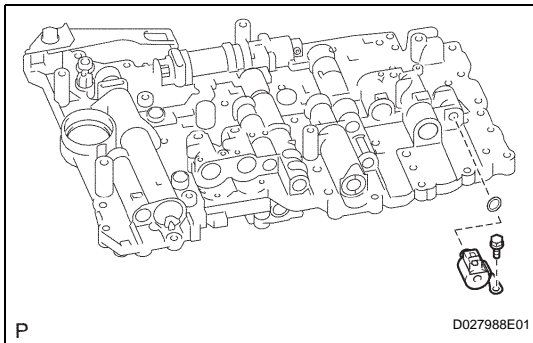
- (a) Remove the bolt, 2 straight pins and the solenoid lock plate.
- (b) Remove the shift solenoid valve SLT.



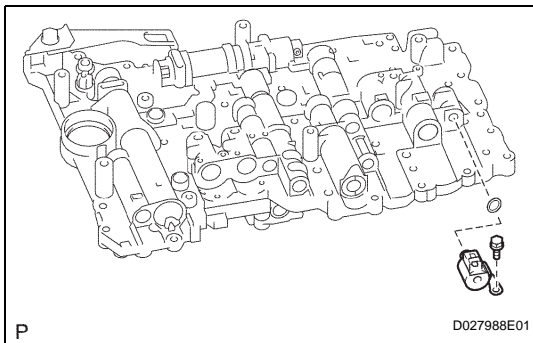
- 6. REMOVE SHIFT SOLENOID VALVE SL1**
 (a) Remove the shift solenoid valve SL1.



- 7. REMOVE SHIFT SOLENOID VALVE S1**
 (a) Remove the bolt and the shift solenoid valve S1.

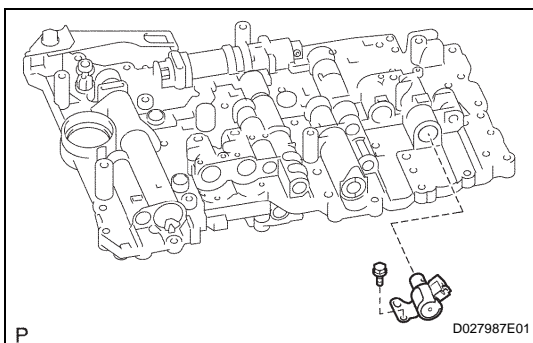


- 8. REMOVE SHIFT SOLENOID VALVE S2**
 (a) Remove the bolt and the shift solenoid valve S2.
 (b) Remove the O-ring from the shift solenoid valve S2.

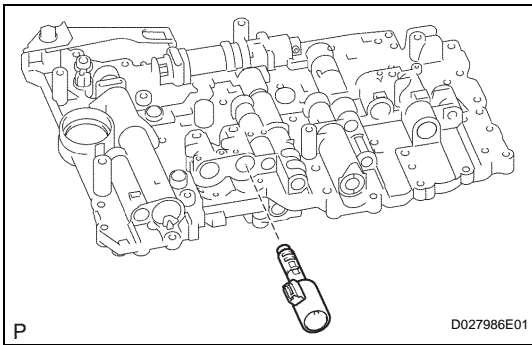


REASSEMBLY

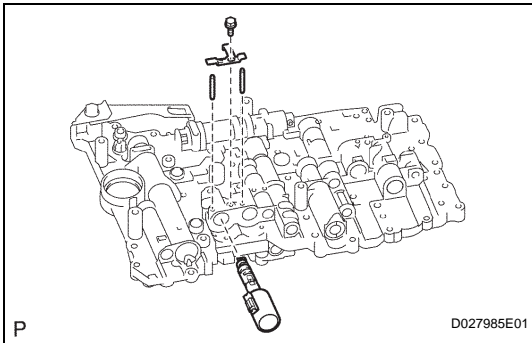
- 1. INSTALL SHIFT SOLENOID VALVE S2**
 (a) Install a new O-ring onto the shift solenoid valve S2.
 (b) Install the shift solenoid valve S2 with the bolt.
Torque: 10 N*m (100 kgf*cm, 7 ft.*lbf)



- 2. INSTALL SHIFT SOLENOID VALVE S1**
 (a) Install the shift solenoid valve S1 with the bolt.
Torque: 6.4 N*m (65 kgf*cm, 57 in.*lbf)

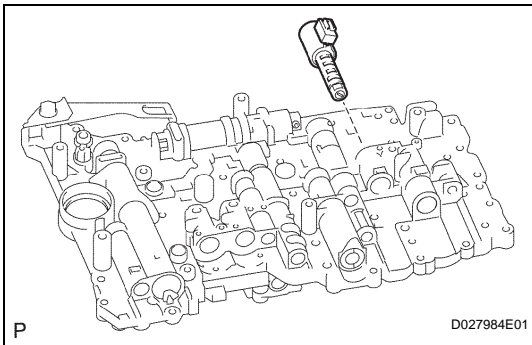
**3. INSTALL SHIFT SOLENOID VALVE SL1**

- (a) Install the shift solenoid valve SL1.

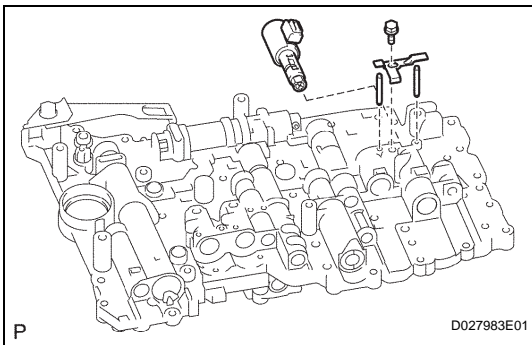
**4. INSTALL SHIFT SOLENOID VALVE SLT**

- (a) Install the shift solenoid valve SLT.
 (b) Install the bolt, 2 straight pins and solenoid lock plate.

Torque: 6.4 N*m (65 kgf*cm, 57 in.*lbf)

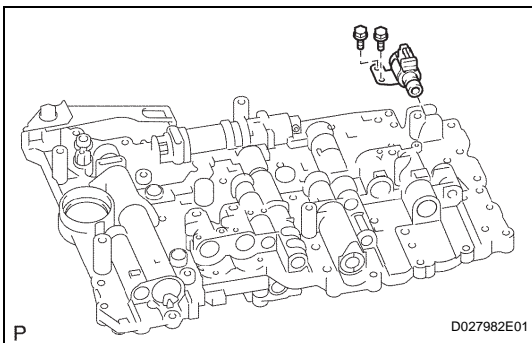
**5. INSTALL SHIFT SOLENOID VALVE SL2**

- (a) Install the shift solenoid valve SL2.

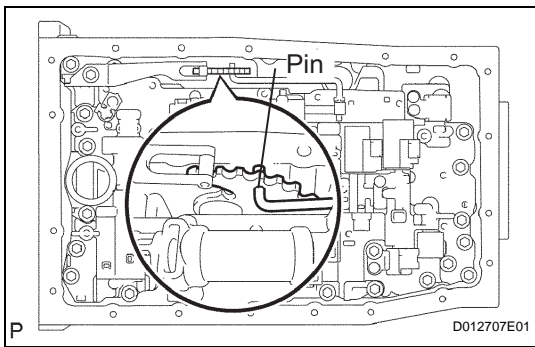
**6. INSTALL SHIFT SOLENOID VALVE SLU**

- (a) Install the shift solenoid valve SLU.
 (b) Install the bolt, 2 straight pins and solenoid lock plate.

Torque: 6.4 N*m (65 kgf*cm, 57 in.*lbf)

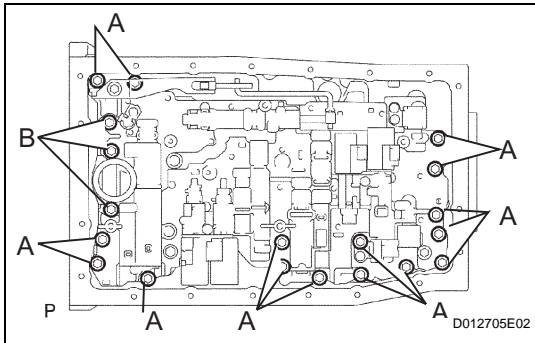
**7. INSTALL SHIFT SOLENOID VALVE SR**

- (a) Install the shift solenoid valve SR with the 2 bolts.
Torque: 6.4 N*m (65 kgf*cm, 57 in.*lbf)



8. INSTALL TRANSMISSION VALVE BODY ASSEMBLY

- (a) Align the groove of the manual valve with the pin of the lever.



- (b) Install the 19 bolts.

Torque: 11 N*m (112 kgf*cm, 8 ft.*lbf)

HINT:

Bolt length:

25 mm (0.98 in.) for bolt A

36 mm (1.42 in.) for bolt B