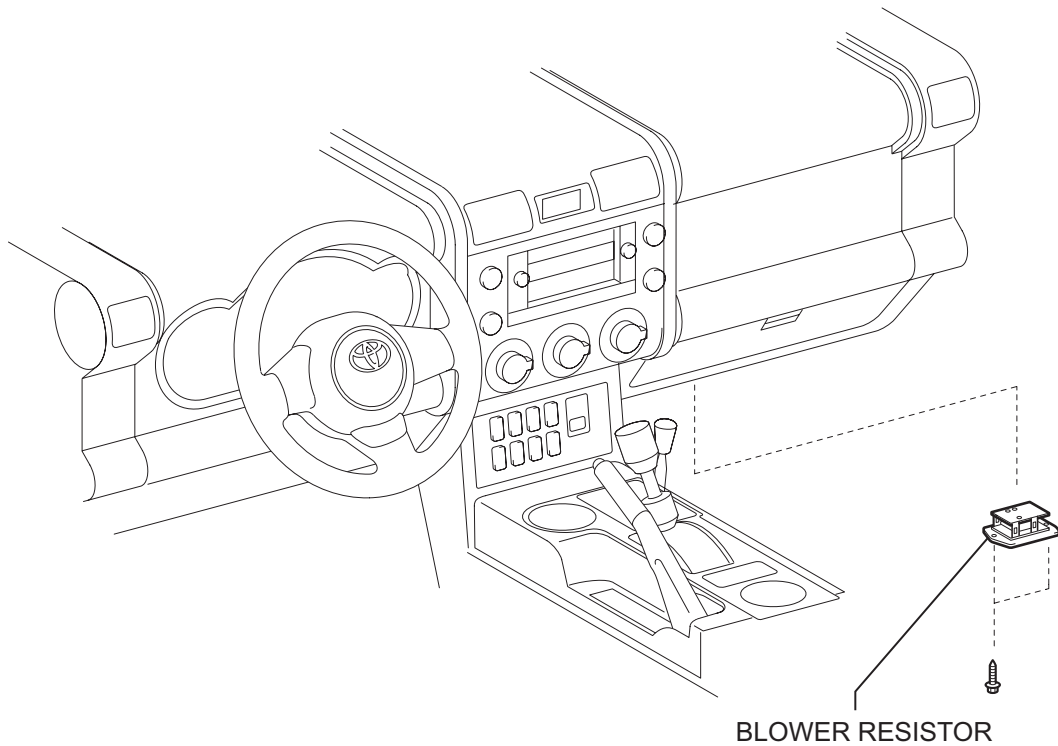


# BLOWER RESISTOR

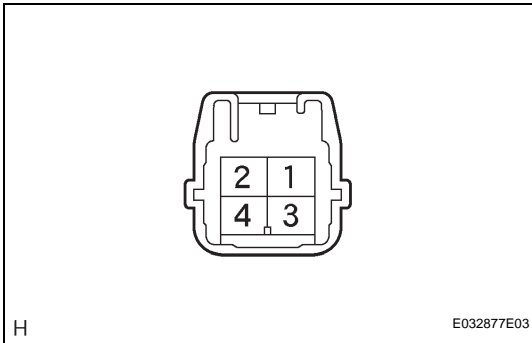
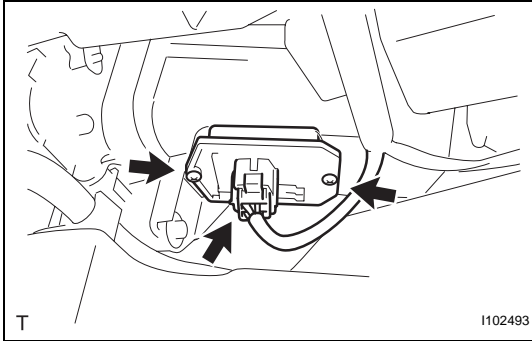
## COMPONENTS

AC



## REMOVAL

1. **DISCONNECT CABLE FROM NEGATIVE BATTERY TERMINAL**
2. **REMOVE BLOWER RESISTOR**
  - (a) Disconnect the connector.
  - (b) Remove the 2 screws and the blower resistor.



## INSPECTION

1. **INSPECT BLOWER RESISTOR**
    - (a) Measure the resistance.
- Standard resistance**

Tester connection	Specified condition
1 - 2	0.83 to 0.95 Ω
1 - 3	0.31 to 0.35 Ω
1 - 4	1.76 to 2.02 Ω

If the resistance value is not as specified, replace the blower resistor.

## INSTALLATION

1. **INSTALL BLOWER RESISTOR**
  - (a) Install the blower resistor with the 2 screws.
  - (b) Connect the connector.
2. **CONNECT CABLE TO NEGATIVE BATTERY TERMINAL**  
**Torque: 3.9 N\*m (40 kgf\*cm, 35 in.\*lbf)**

