

# INSPECTION

## 1. INSPECT INTEGRATION CONTROL AND PANEL ASSEMBLY

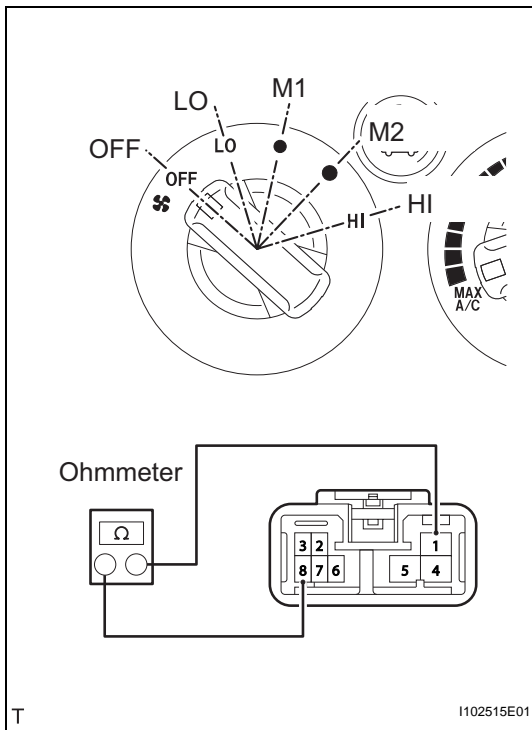
(a) Check the blower switch resistance.

- (1) Using an ohmmeter, measure the resistance and check the results in accordance with the values in the table below.

**Standard resistance**

Tester connection	Blower Switch Position	Specified Condition
1 - 4 - 5 - 6 - 8	OFF	10 K $\Omega$ or higher
1 - 8	LO	Below 1 $\Omega$
1 - 6 - 8	M1	Below 1 $\Omega$
1 - 5 - 8	M2	Below 1 $\Omega$
1 - 4 - 8	HI	Below 1 $\Omega$

If the result is not as specified, replace the integration control and panel assembly.



AC

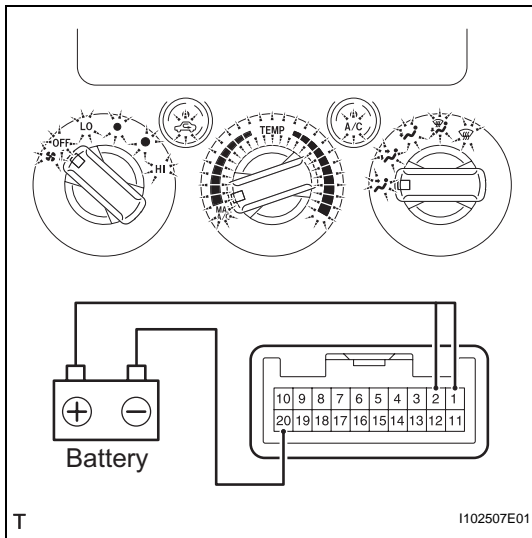
(b) Inspect the illumination operation.

- (1) Connect the positive (+) lead from the battery to terminals 1 (IG+) and 2 (ILL+) and the negative (-) lead to terminal 20 (GND), then check that the illuminations light up.

**Standard:**

**Illuminations light up**

If the result is not as specified, replace the integration control and panel assembly.

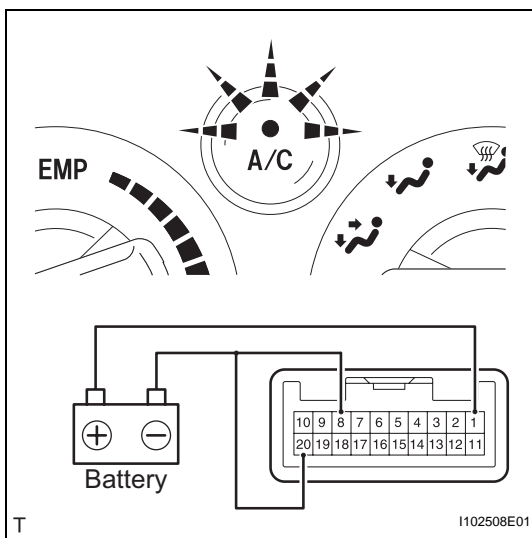


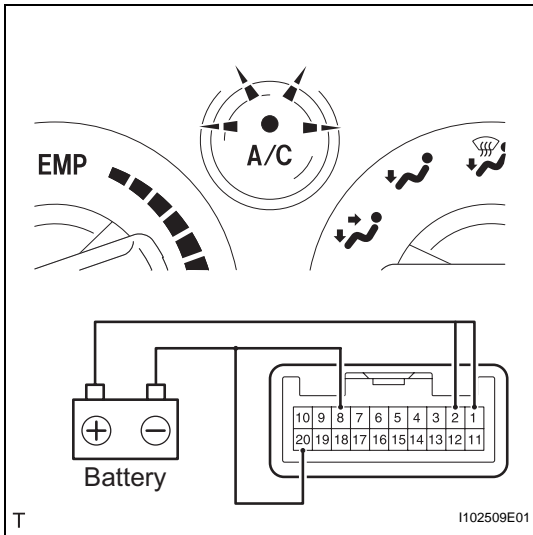
(c) Inspect the A/C indicator operation.

- (1) Connect the positive (+) lead from the battery to terminal 1 (IG+) and the negative (-) lead to terminals 8 (BLW) and 20 (GND).
- (2) Push the A/C button in and then check that the indicator lights up.

**Standard**

Switch Condition	Specified Condition
Switch ON	Indicator illuminates
Switch OFF	Indicator turns off





**HINT:**

Inspect the A/C indicator operation in any position except MAX COOL. The A/C indicator ON/OFF operation does not function in MAX COOL position (The A/C indicator is held in ON state).

If the result is not as specified, replace the integration control and panel assembly.

- (3) Under the above condition, connect the positive (+) lead from the battery to terminal 2 (ILL+) and then check that the indicator dims.

**Standard**

Switch Condition	Specified Condition
Switch ON	Indicator dims
Switch OFF	Indicator turns off

AC

**HINT:**

Inspect the A/C indicator operation in any position except MAX COOL. The A/C indicator ON/OFF operation does not function in MAX COOL position (The A/C indicator is held in ON state).

If the result is not as specified, replace the integration control and panel assembly.

- (d) Inspect the REC indicator operation.
  - (1) Connect the positive (+) lead from the battery to terminal 1 (IG+) and the negative (-) lead to terminal 20 (GND).

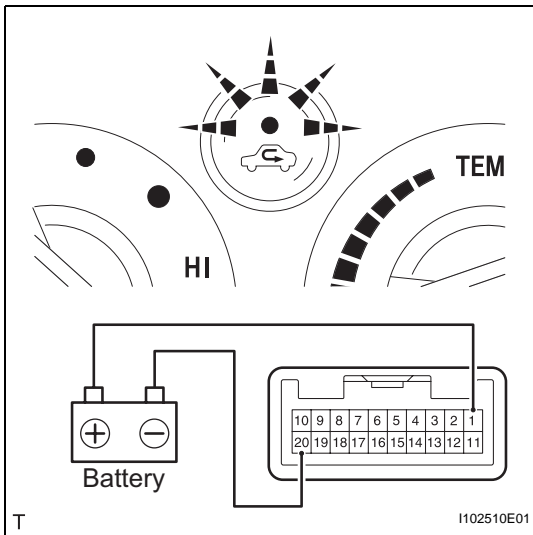
**NOTICE:**

**Inspect the MODE switch in any position except DEF.**

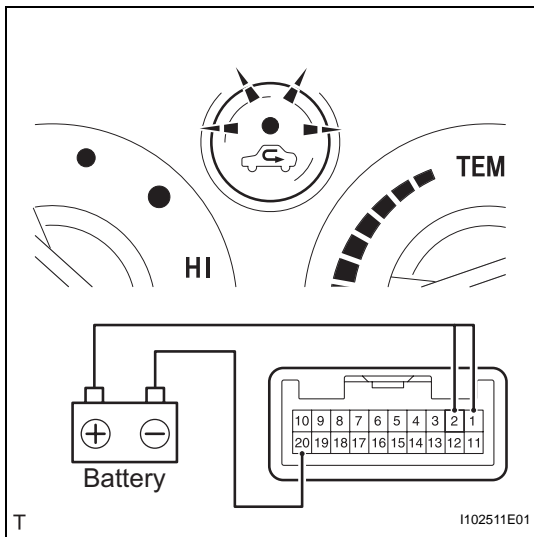
- (2) Push the REC button in and check that the indicator lights up.

**Standard**

Switch Condition	Specified Condition
Switch ON	Indicator illuminates
Switch OFF	Indicator turns off



If the result is not as specified, replace the integration control and panel assembly.



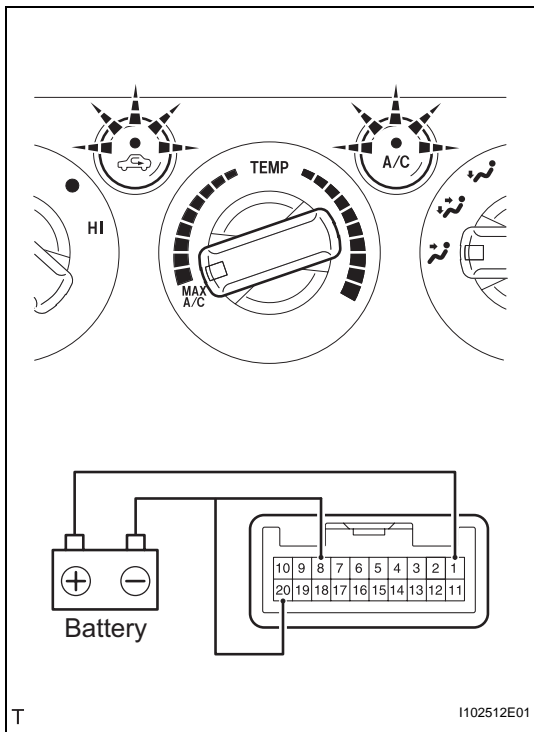
- (3) Under the above condition, connect the positive (+) lead from the battery to terminal 2 (ILL+) and then check that the indicator dims.

**NOTICE:**  
**Inspect the MODE switch in any position except DEF.**  
**Standard**

Switch Condition	Specified Condition
Switch ON	Indicator dims
Switch OFF	Indicator turns off

If the result is not as specified, replace the integration control and panel assembly.

AC



- (e) Inspect the temperature control switch operation.  
 (1) Connect the positive (+) lead from the battery to terminal 1 (IG+) and the negative (-) lead to terminals 8 (BLW) and 20 (GND).

**NOTICE:**  
**Inspect the MODE switch in any position other than DEF and FOOT/DEF.**

- (2) Check the A/C indicator and REC indicator operations when the temperature switch is operated.

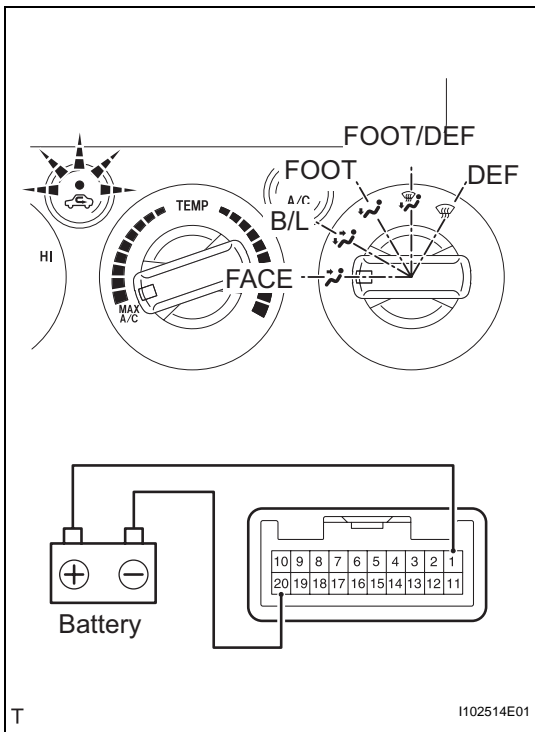
**Standard**

Temperature Switch Condition	Specified Condition (A/C indicator and REC indicator)
Except MAX A/C	Neither indicator illuminates
MAX A/C	Both indicators illuminate*1

**HINT:**

\*1: The A/C indicator remains illuminated even after the temperature switch is turned from this position to another. The REC indicator returns to the condition prior to turning the switch to MAX A/C. Press the A/C switch in and check that the indicator turns off.

If the result is not as specified, replace the integration control and panel assembly.



- (f) Inspect MODE switch operation.
  - (1) Connect the positive (+) lead from the battery to terminal 1 (IG+) and the negative (-) lead to terminal 20 (GND).
  - (2) Check the REC indicator operation when the MODE switch is operated.

**Standard**

Condition	Specified Condition (REC indicator)
MODE switch except DEF REC switch ON ↔ OFF	Indicator turns ON ↔ OFF in accordance with REC switch operation
MODE switch DEF REC switch ON ↔ OFF	Indicator turns off

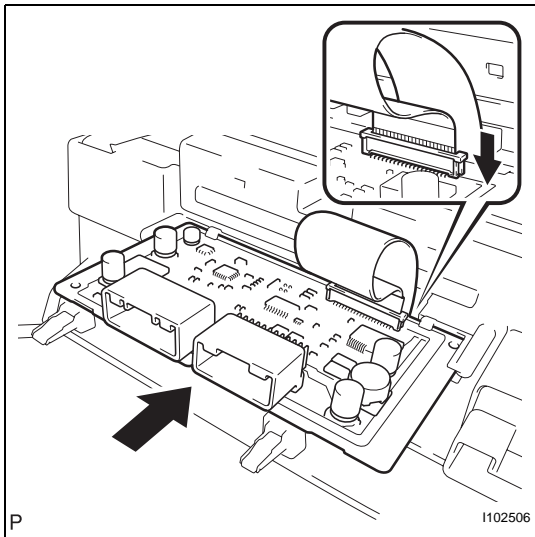
If the result is not as specified, replace the integration control and panel assembly.

AC

**REASSEMBLY**

**1. INSTALL AIR CONDITIONER AMPLIFIER ASSEMBLY**

- (a) Remove the air conditioner amplifier assembly.
- (b) Engage the lock of the connector and connect the cable.



- (c) Engage the 6 claws and install the rear panel.
- (d) Install the 3 screws.

