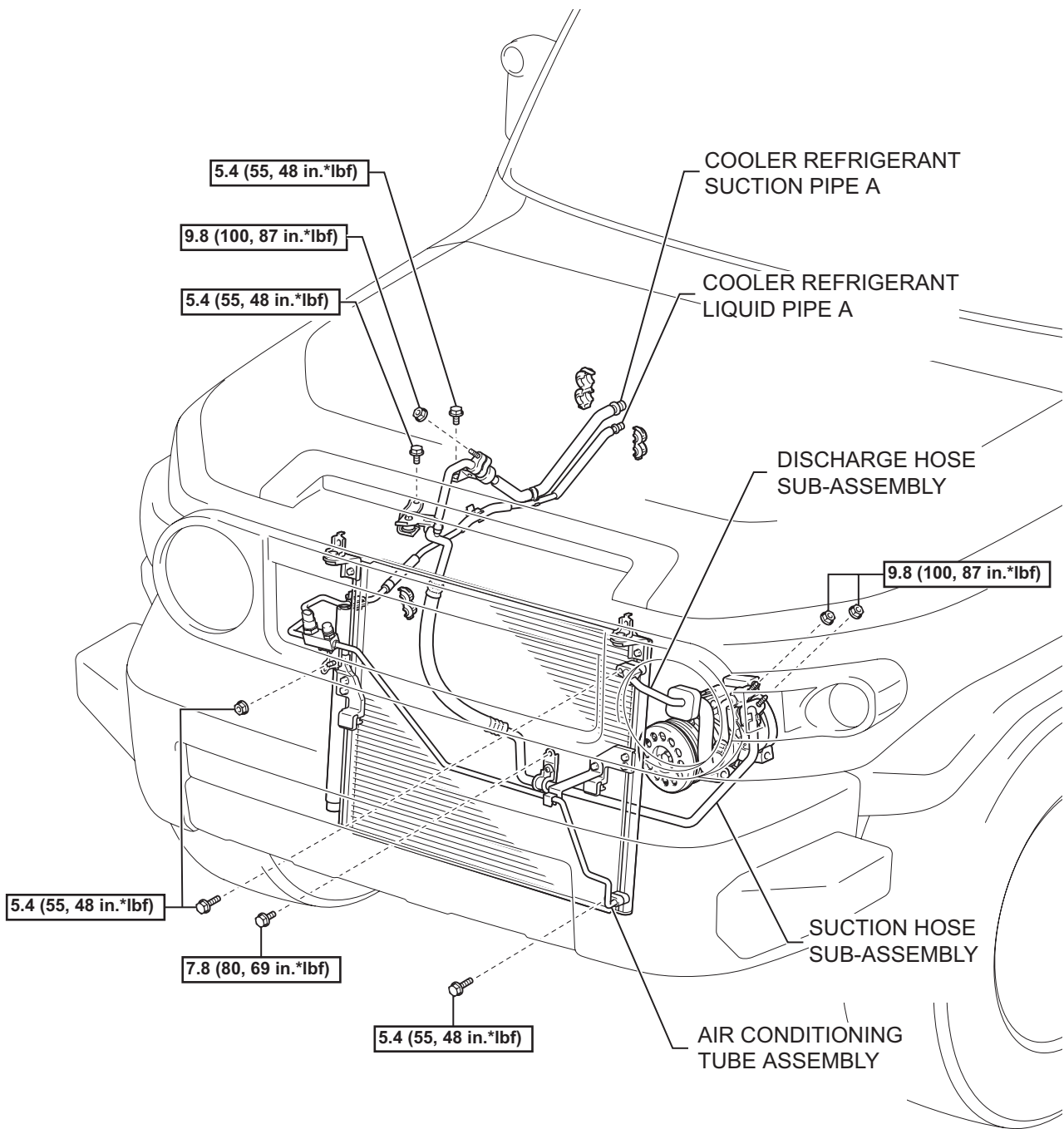


REFRIGERANT LINE

COMPONENTS

AC



[N*m (kgf*cm, ft*lbf)] : Specified torque