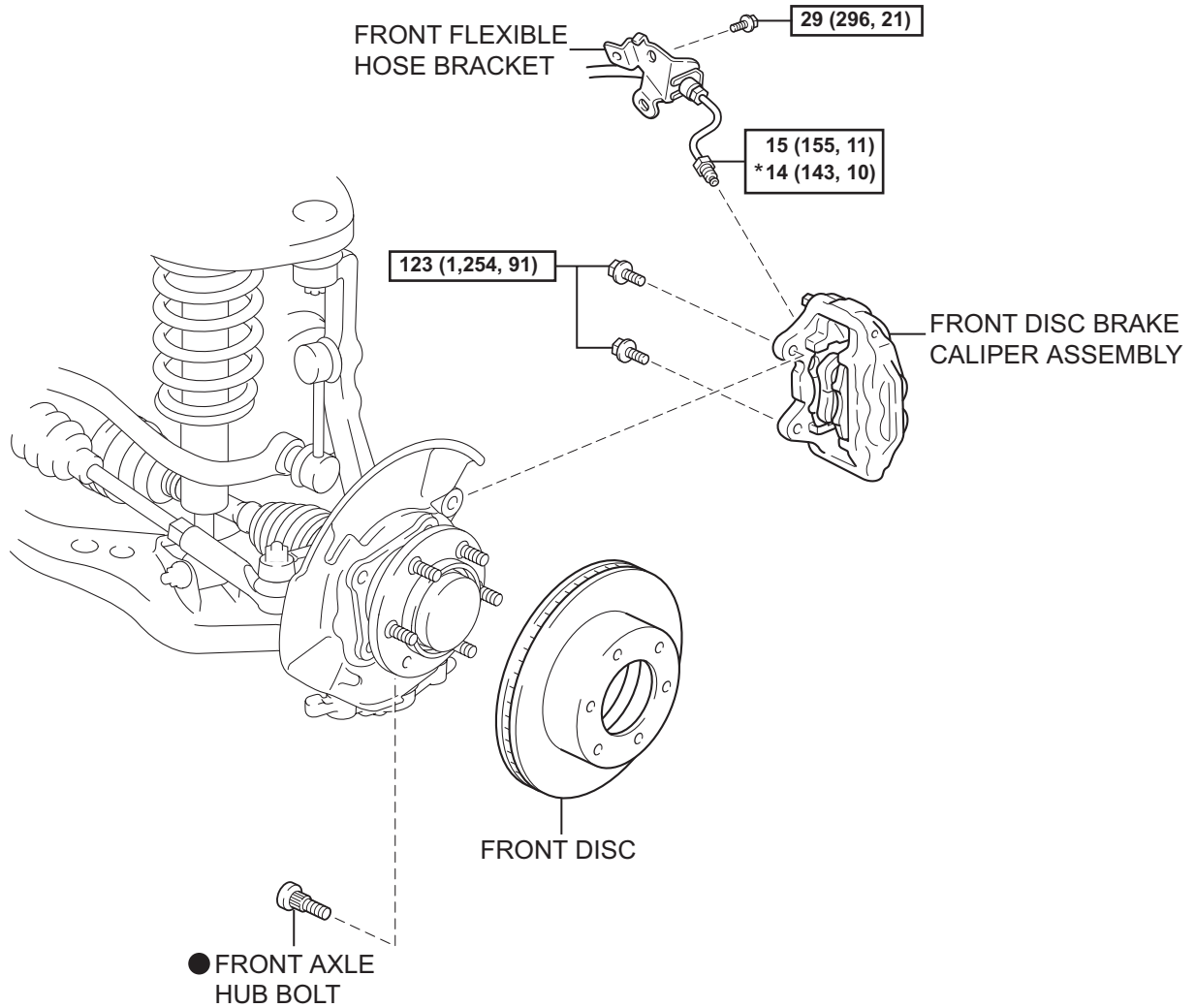


FRONT AXLE HUB BOLT

COMPONENTS



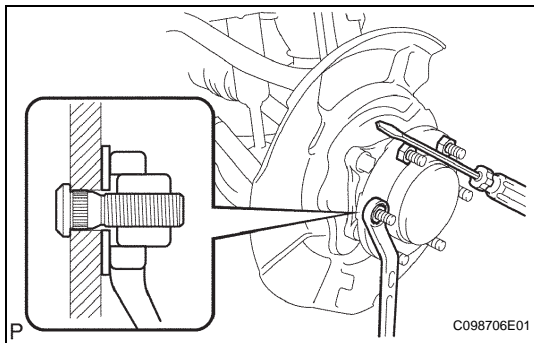
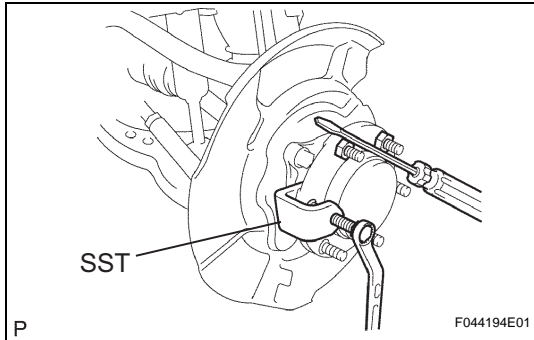
N*m (kgf*cm, ft*lbf) : Specified torque

● Non-reusable part

* For use with SST

REMOVAL

1. REMOVE FRONT WHEEL
2. DRAIN BRAKE FLUID
NOTICE:
Immediately wash off any brake fluid that comes into contact with painted surfaces.
3. REMOVE FRONT DISC BRAKE CALIPER ASSEMBLY (See page AH-7)
4. REMOVE FRONT DISC (See page BR-42)
5. REMOVE FRONT AXLE HUB BOLT
 - (a) Using SST and a screwdriver or the equivalent to hold the axle hub, remove the hub bolt.
SST 09650-17011



INSTALLATION

1. INSTALL FRONT AXLE HUB BOLT
 - (a) Install the washer and the nut onto a new hub bolt, as shown in the illustration.
 - (b) Using a screwdriver or the equivalent to hold the axle hub, install the hub bolt by tightening the nut.
2. INSTALL FRONT DISC (See page BR-45)
3. INSTALL FRONT DISC BRAKE CALIPER ASSEMBLY (See page AH-11)
4. INSTALL FRONT WHEEL
Torque: 112 N*m (1,137 kgf*cm, 82 ft.*lbf)
5. FILL RESERVOIR WITH BRAKE FLUID (See page BR-5)
6. BLEED BRAKE LINE (See page BR-5)
7. CHECK FLUID LEVEL IN RESERVOIR (See page BR-7)
8. CHECK FOR BRAKE FLUID LEAKAGE