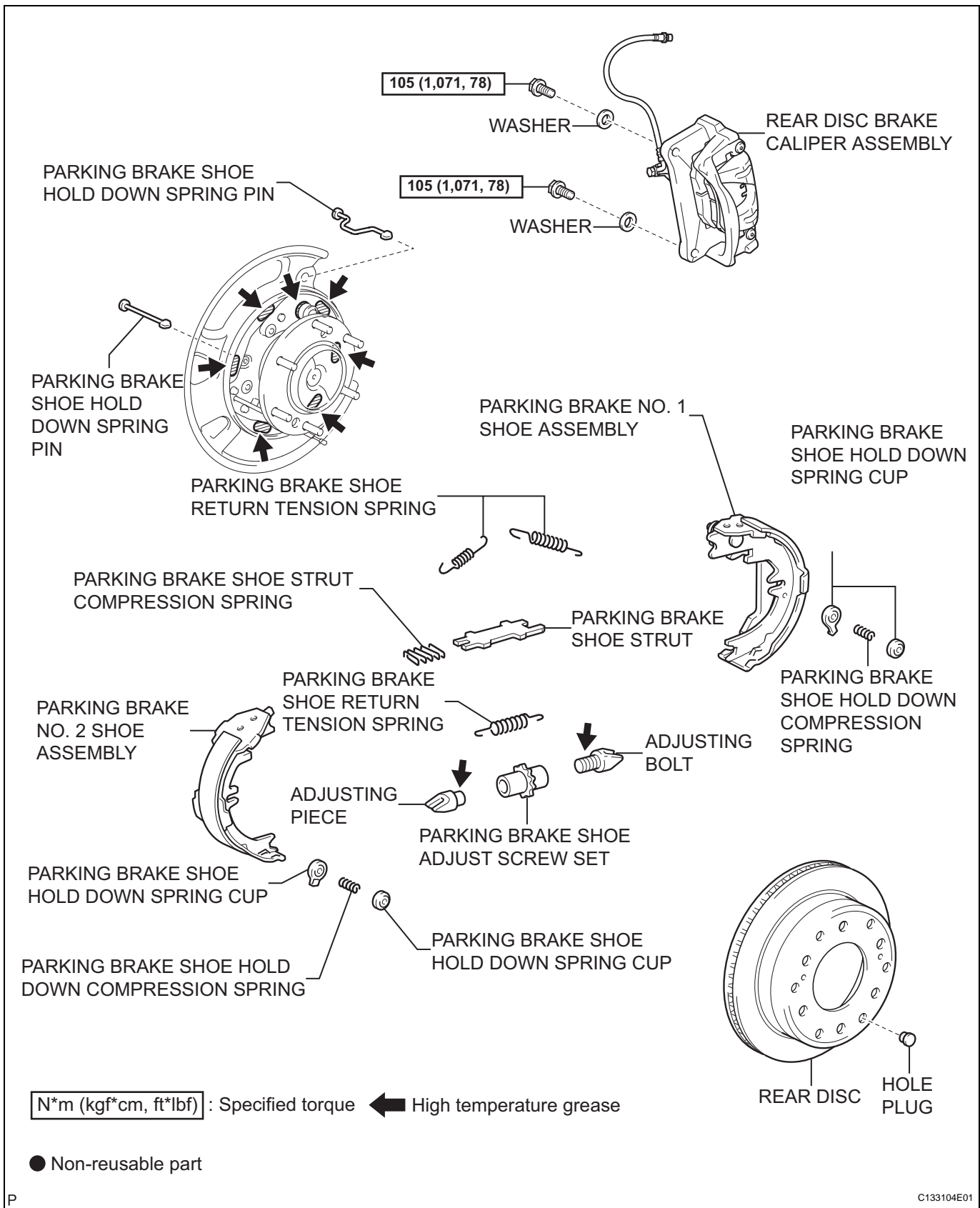
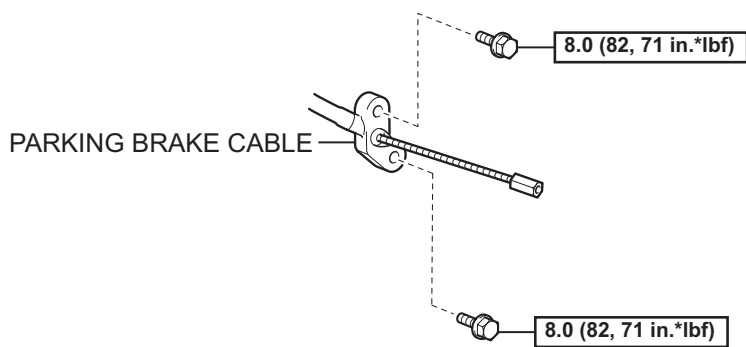
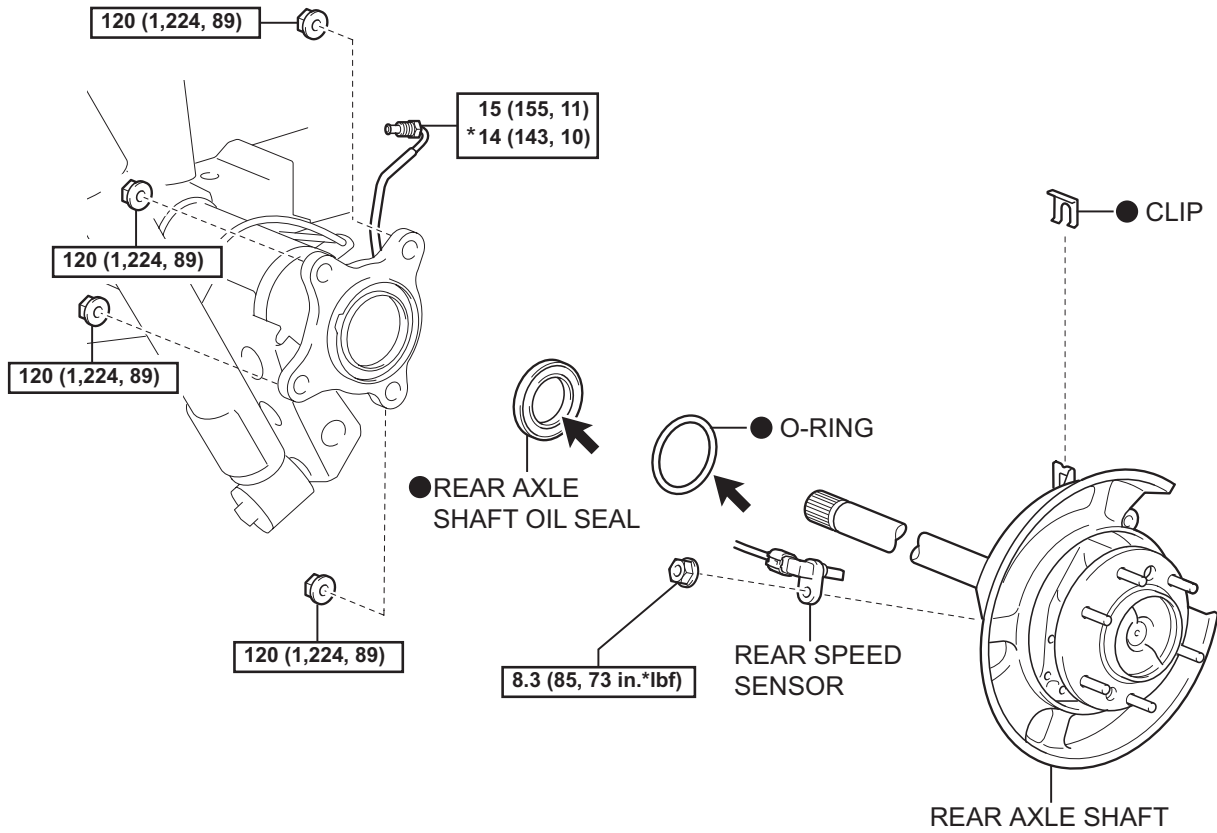


REAR AXLE SHAFT

COMPONENTS



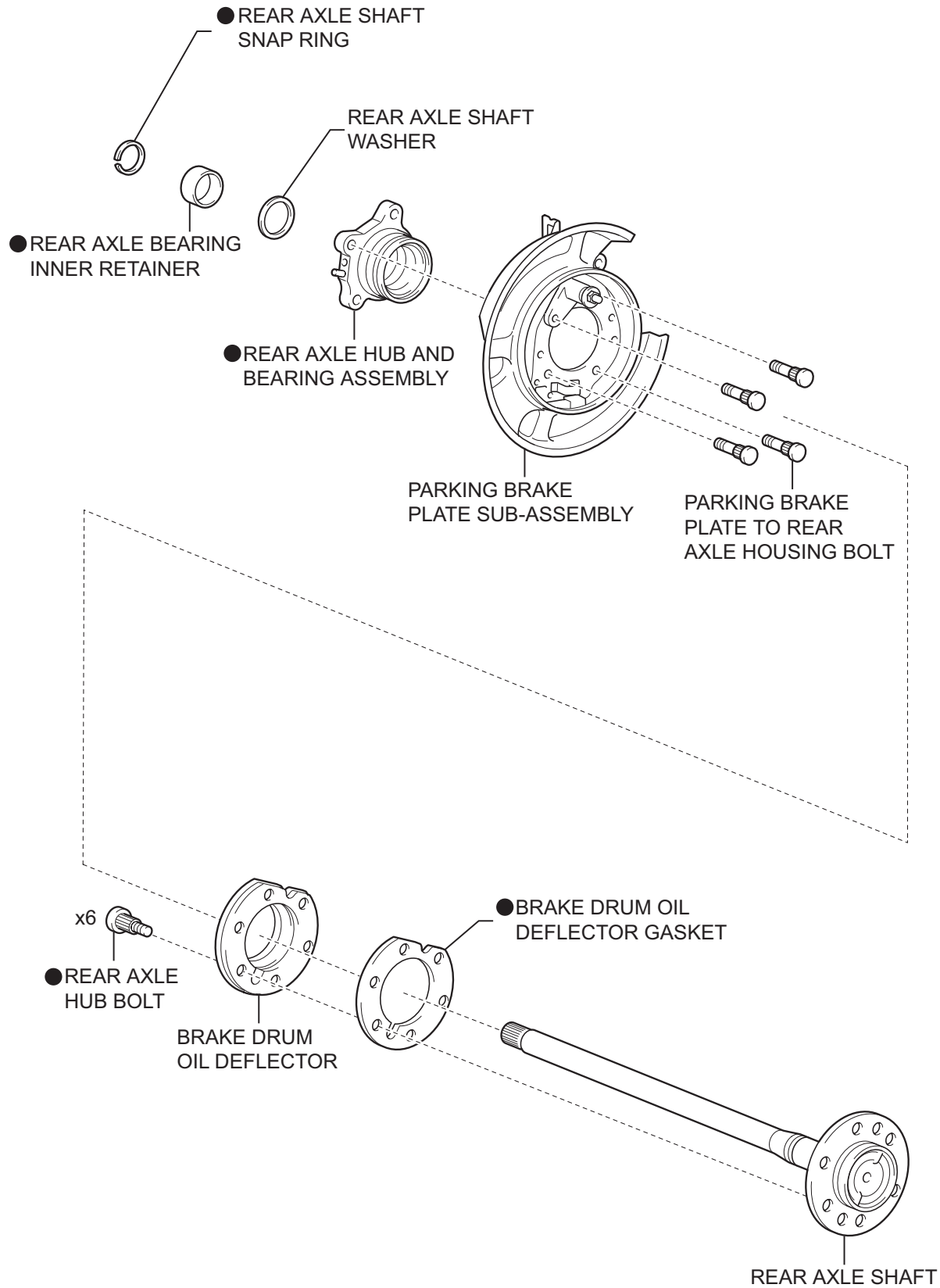
AH



N*m (kgf*cm, ft*lbf) : Specified torque

● Non-reusable part

* For use with SST ← MP grease



● Non-reusable part

AH