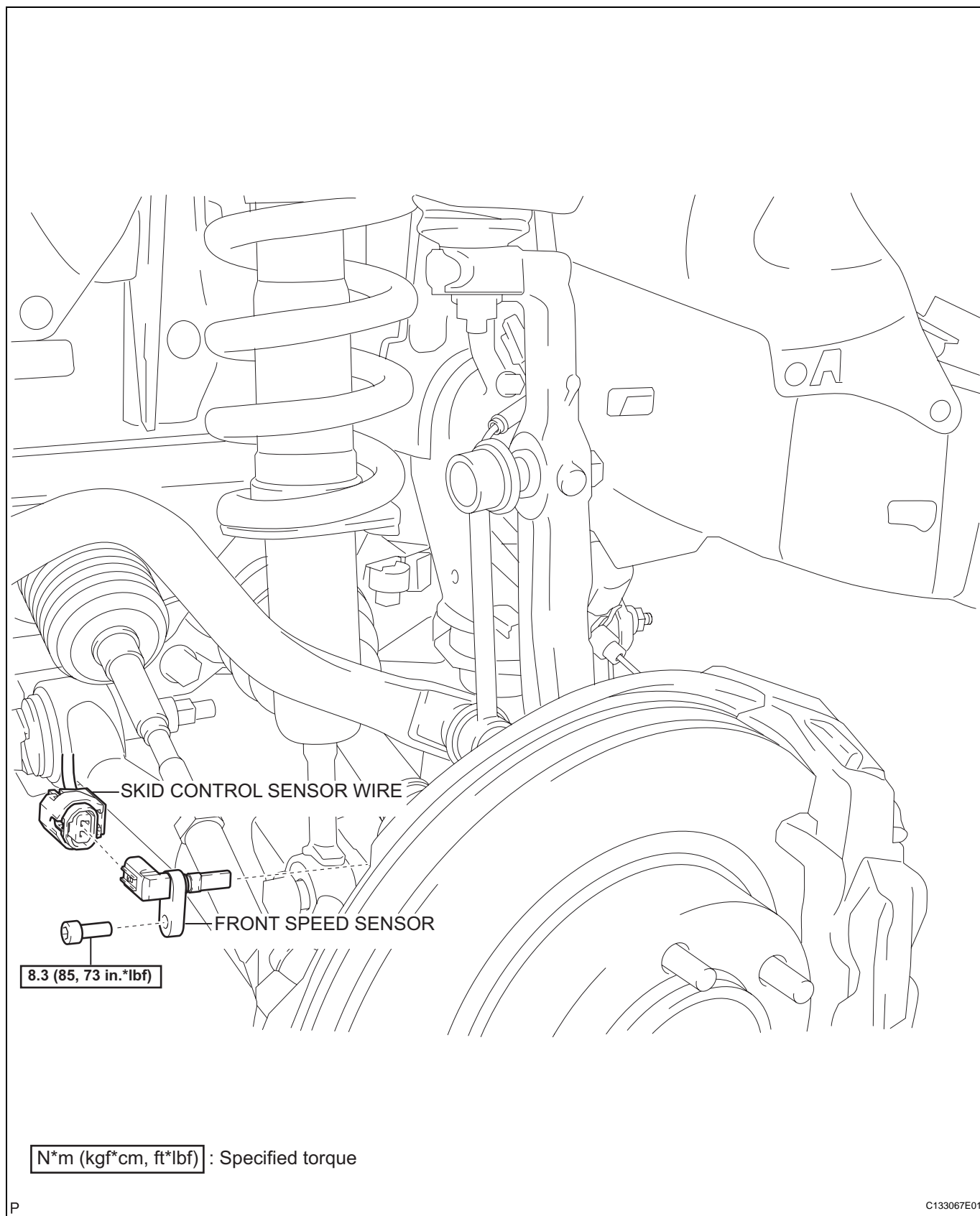


FRONT SPEED SENSOR

COMPONENTS



REMOVAL

1. **DISCONNECT CABLE FROM NEGATIVE BATTERY TERMINAL**
2. **REMOVE FRONT WHEEL**
3. **REMOVE FRONT SPEED SENSOR**
 - (a) Disconnect the skid control sensor wire.
 - (b) Using a 5 mm hexagon wrench, remove the bolt and the front speed sensor.

NOTICE:

- Do not attach any foreign matter to the sensor tip.
- Ensure that no foreign matter enters the sensor installation part.

BC