

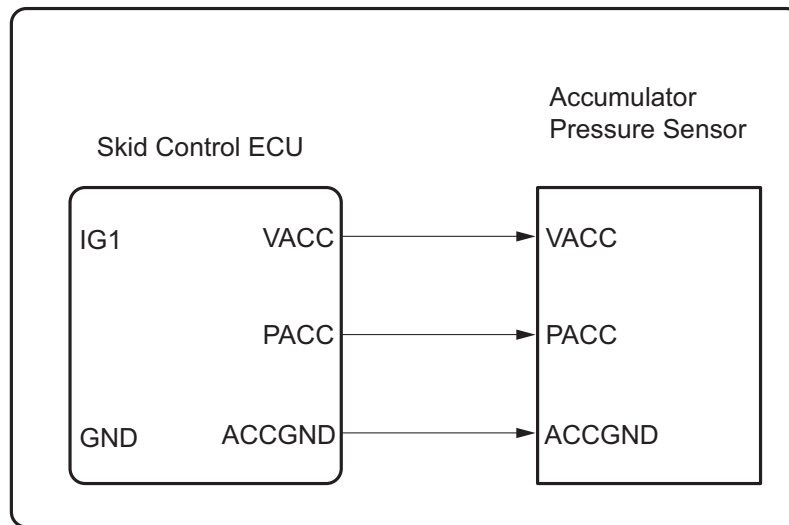
DTC	C1256/56	Accumulator Low Pressure
------------	-----------------	---------------------------------

DESCRIPTION

The accumulator pressure sensor is connected to the skid control ECU in the master cylinder solenoid.

BC

Master Cylinder Solenoid (Skid Control ECU with Actuator)



VACC: Accumulator Pressure Sensor Power Supply Output

PACC: Accumulator Pressure Sensor Signal Input

ACCGND: Accumulator Pressure Sensor Ground

Y

C124776E01

DTC No.	DTC Detecting Condition	Trouble Areas
C1256/56	Fluid pressure inside the accumulator drops below the specification value.	<ul style="list-style-type: none"> Hydraulic circuit Hydraulic brake booster (accumulator pressure sensor) Master cylinder solenoid (skid control ECU)

INSPECTION PROCEDURE

NOTICE:

When replacing the master cylinder solenoid, perform zero point calibration (See page [BC-24](#)).

1 RECONFIRM DTC

- (a) Clear the DTC (See page BC-45).
- (b) Turn the ignition switch off.
- (c) Depress the brake pedal more than 20 times.
- (d) Turn the ignition switch on.
- (e) Wait for 99 seconds.
- (f) Check if the same DTC is recorded (See page BC-45).

Result

Result	Proceed to
DTC output	A
DTC not output	B

B → **END**

A

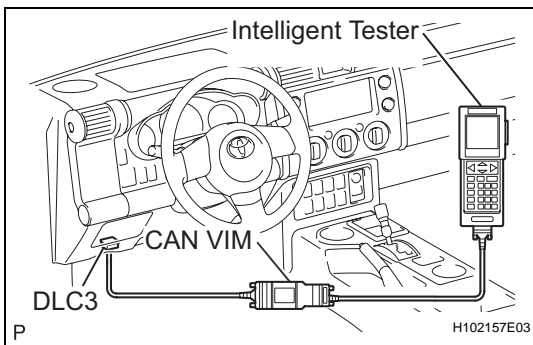
2 CHECK HYDRAULIC CIRCUIT

- (a) Perform hydraulic brake booster on-vehicle inspection (See page BR-19).
- OK:**
Hydraulic circuit is normal (No leakage).

NG → **REPAIR HYDRAULIC CIRCUIT**

OK

3 READ VALUE OF DATA LIST (MASTER CYLINDER PRESSURE SENSOR)



- (a) Connect the intelligent tester to the DLC3.
- (b) Turn the ignition switch on.
- (c) Turn the tester on.
- (d) Select the "DATA LIST" mode on the intelligent tester.

DATA LIST: ABS/VSC

Item	Measurement Item / Range (Display)	Normal Condition	Diagnostic Note
ACC PRESS SENS	Accumulator pressure sensor reading / min.: 0 V, max.: 5 V	3.58 to 5 V	If value constant regardless of pump operation, accumulator pressure sensor malfunction suspected.

- (e) Check that the accumulator's output value is in the Normal Condition range.

OK:
Accumulator pressure sensor value is in the Normal Condition.

NG → **REPLACE HYDRAULIC BRAKE BOOSTER**

BC

OK

4 RECONFIRM DTC

- (a) Clear the DTC (See page [BC-45](#)).
- (b) Check if the same DTC is recorded (See page [BC-45](#)).

Result

Result	Proceed to
DTC output	A
DTC not output	B

B → **END**

A

REPLACE MASTER CYLINDER SOLENOID