

## INSPECTION

### 1. INSPECT BRAKE CYLINDER AND PISTON

- (a) Check the cylinder bore and piston for rust and scoring.  
If necessary, replace the disc brake cylinder and piston.

### 2. INSPECT PAD LINING THICKNESS

- (a) Using a ruler, measure the pad lining thickness.

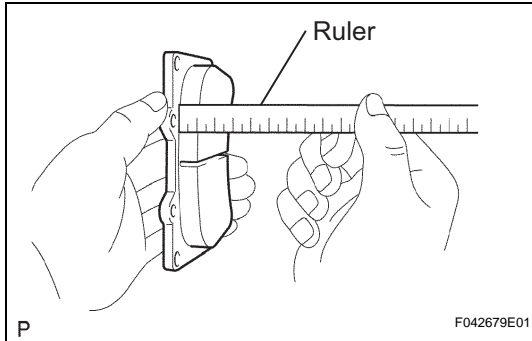
**Standard thickness:**

**11.5 mm (0.453 in.)**

**Minimum thickness:**

**1.0 mm (0.039 in.)**

If the pad lining thickness is equal to or less than the minimum thickness, replace the disc brake pad kit.



### 3. INSPECT DISC THICKNESS

- (a) Using a micrometer, measure the disc thickness.

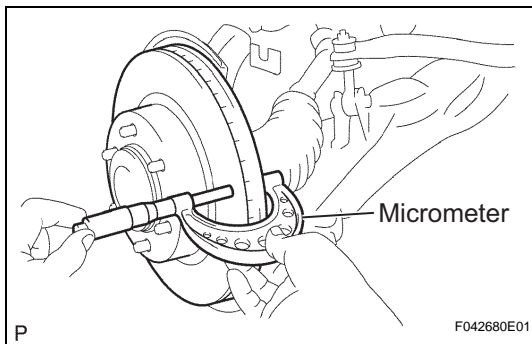
**Standard thickness:**

**28.0 mm (1.102 in.)**

**Minimum thickness:**

**26.0 mm (1.024 in.)**

If the disc thickness is less than the minimum, replace the front disc.



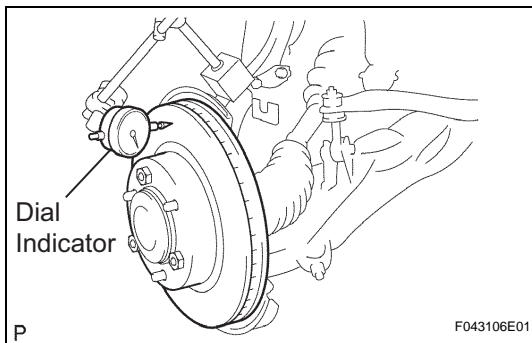
### 4. INSPECT DISC RUNOUT

- (a) Check the bearing play in the axial direction and check for the axle hub runout (See page [AH-1](#)).
- (b) Provisionally fasten the front disc together with the hub nuts.  
**Torque: 112 N\*m (1,137 kgf\*cm, 82 ft.\*lbf)**
- (c) Using a dial indicator, measure the disc runout 10 mm (0.39 in.) away from the outer edge of the front disc.

**Maximum disc runout:**

**0.05 mm (0.0020 in.)**

If the runout exceeds the maximum value, change the installation positions of the disc and axle to make the minimum runout. If the runout exceeds the maximum even when the installation positions are changed, grind the disc. If the disc thickness is less than the minimum, replace the front disc.



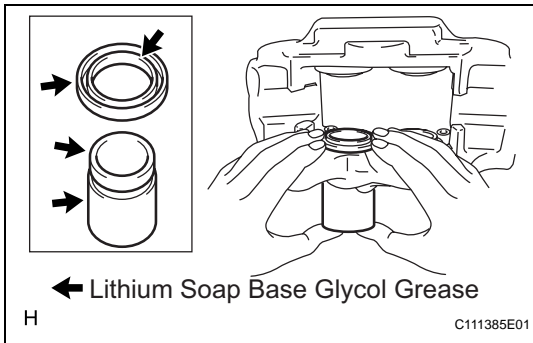
## REASSEMBLY

1. TEMPORARILY TIGHTEN FRONT DISC BRAKE BLEEDER PLUG
2. INSTALL FRONT DISC BRAKE BLEEDER PLUG CAP
3. INSTALL PISTON SEAL

- (a) Apply lithium soap base glycol grease to 4 new piston seals.
- (b) Install the 4 piston seals onto the disc brake cylinder.

**NOTICE:**

**Securely install the piston seal into the groove of the disc brake cylinder.**

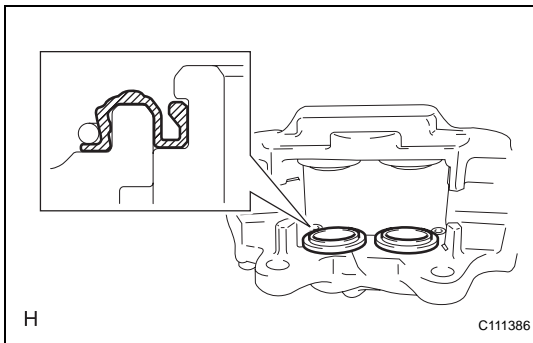


4. INSTALL FRONT DISC BRAKE PISTON

- (a) Apply lithium soap base glycol grease to the 4 disc brake pistons and 4 new cylinder boots.
- (b) Install the 4 cylinder boots to the 4 disc brake pistons.
- (c) Install the 4 disc brake pistons onto the disc brake cylinder.

**NOTICE:**

**Do not forcibly install the piston into the disc brake cylinder.**



5. INSTALL CYLINDER BOOT

- (a) Install the 4 cylinder boots onto the disc brake cylinder.

**NOTICE:**

**Securely install the cylinder boot into the grooves of the disc brake cylinder and piston.**

- (b) Using a screwdriver, install 4 new set rings.

**NOTICE:**

**Do not damage the boot.**