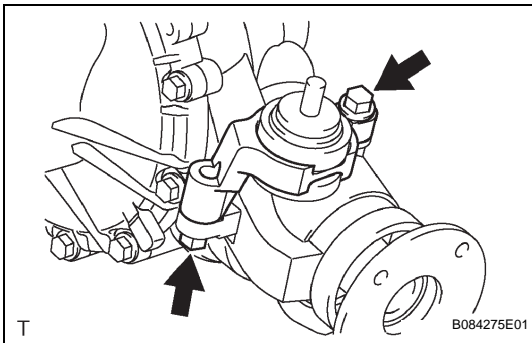


INSTALLATION

1. INSTALL FRONT DIFFERENTIAL CARRIER ASSEMBLY

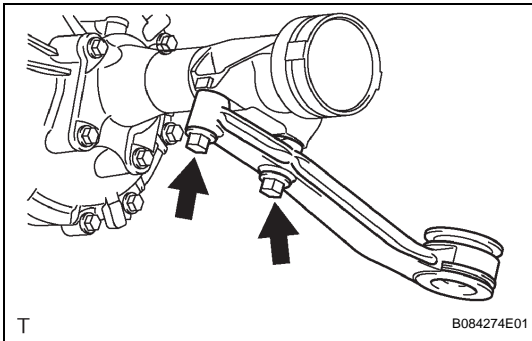
- (a) Install the front No. 3 differential support with the 2 bolts.

Torque: 108 N*m (1,100 kgf*cm, 80 ft.*lbf)



- (b) Install the front No. 2 differential support with the 2 bolts.

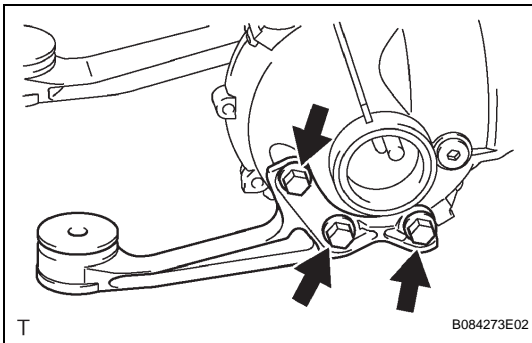
Torque: 160 N*m (1,630 kgf*cm, 11 ft.*lbf)



- (c) Install the front No. 1 differential support with the 3 bolts.

Torque: 186 N*m (1,900 kgf*cm, 137 ft.*lbf)

- (d) Support the front differential with a jack.



- (e) Install the 2 front mounting bolts and 2 nuts.

Torque: 137 N*m (1,400 kgf*cm, 101 ft.*lbf)

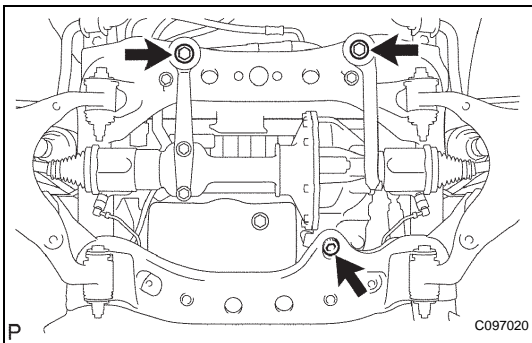
- (f) Install front differential mounting nut No. 1.

Torque: 87 N*m (887 kgf*cm, 64 ft.*lbf)

- (g) Install the front differential breather tube bracket with the bolt.

Torque: 13 N*m (133 kgf*cm, 10 ft.*lbf)

- (h) Lower the jack.



2. INSTALL FRONT DRIVE SHAFT ASSEMBLY LH (See page [DS-9](#))

3. INSTALL FRONT DRIVE SHAFT ASSEMBLY RH

HINT:

Use the same procedure as for the LH side.

4. INSTALL FRONT LOWER BALL JOINT ATTACHMENT (See page [DS-10](#))

5. INSTALL TIE ROD END SUB-ASSEMBLY LH (See page [DS-10](#))

6. **INSTALL TIE ROD END SUB-ASSEMBLY RH**
HINT:
Use the same procedure as for the LH side.
7. **INSTALL FRONT AXLE HUB NUT LH (See page [DS-10](#))**
8. **INSTALL FRONT AXLE HUB NUT RH**
HINT:
Use the same procedure as for the LH side.
9. **INSTALL FRONT AXLE HUB GREASE CAP**
10. **INSTALL FRONT SPEED SENSOR LH (See page [DS-10](#))**
11. **INSTALL FRONT SPEED SENSOR RH**
HINT:
Use the same procedure as for the LH side.
12. **INSTALL FRONT WHEEL**
Torque: 112 N*m (1,137 kgf*cm, 82 ft.*lbf)
13. **INSPECT DIFFERENTIAL OIL (See page [DF-3](#))**
14. **CHECK FOR DIFFERENTIAL OIL LEAKAGE**
15. **INSTALL REAR ENGINE UNDER COVER ASSEMBLY**
16. **INSTALL NO. 1 ENGINE UNDER COVER**
17. **CONNECT CABLE TO NEGATIVE BATTERY TERMINAL**
Torque: 3.9 N*m (40 kgf*cm, 35 in.*lbf)
18. **CHECK VSC SENSOR SIGNAL**
(See page [BC-28](#))
19. **INSPECT AND ADJUST FRONT WHEEL ALIGNMENT**
(See page [SP-2](#))