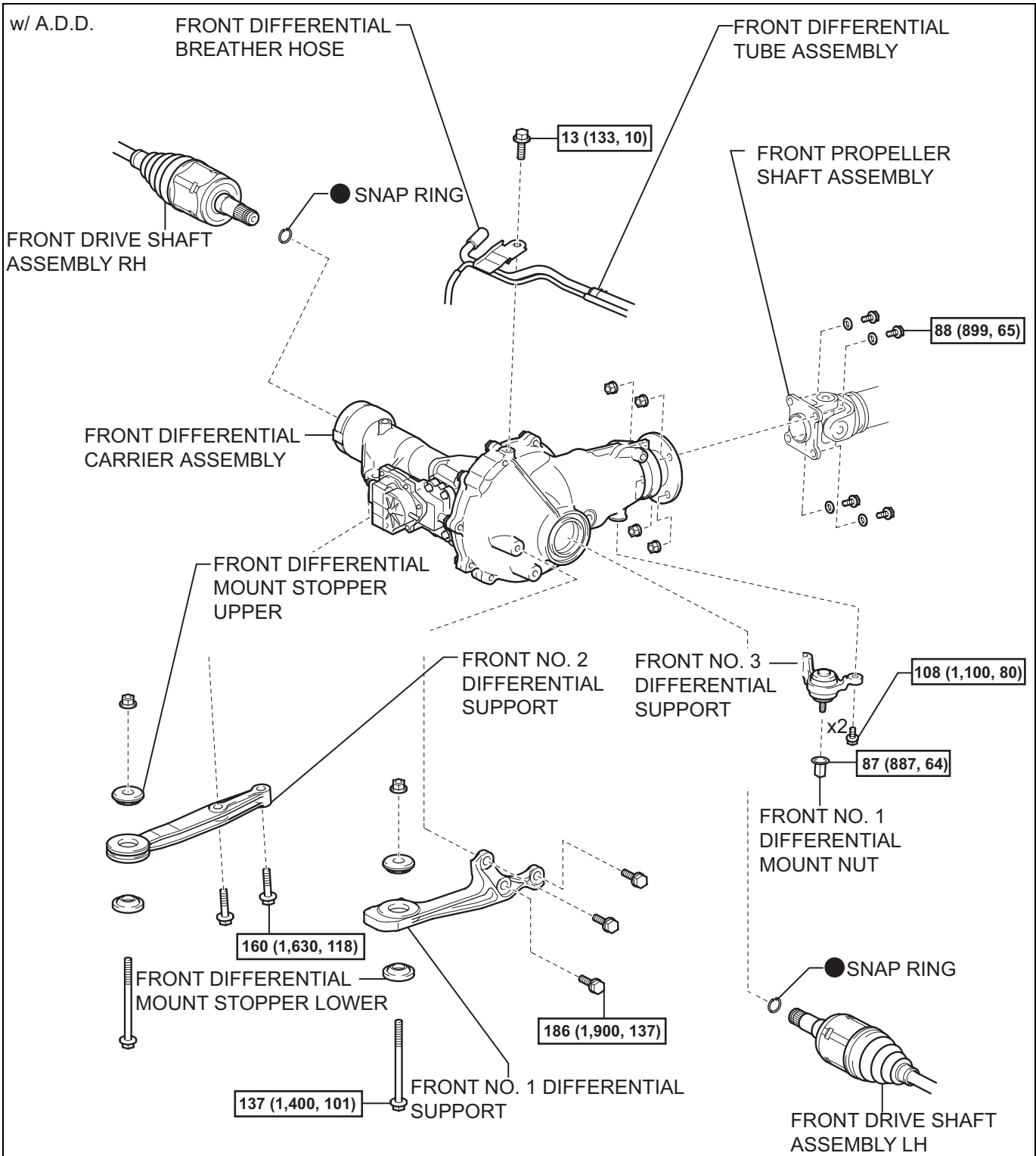


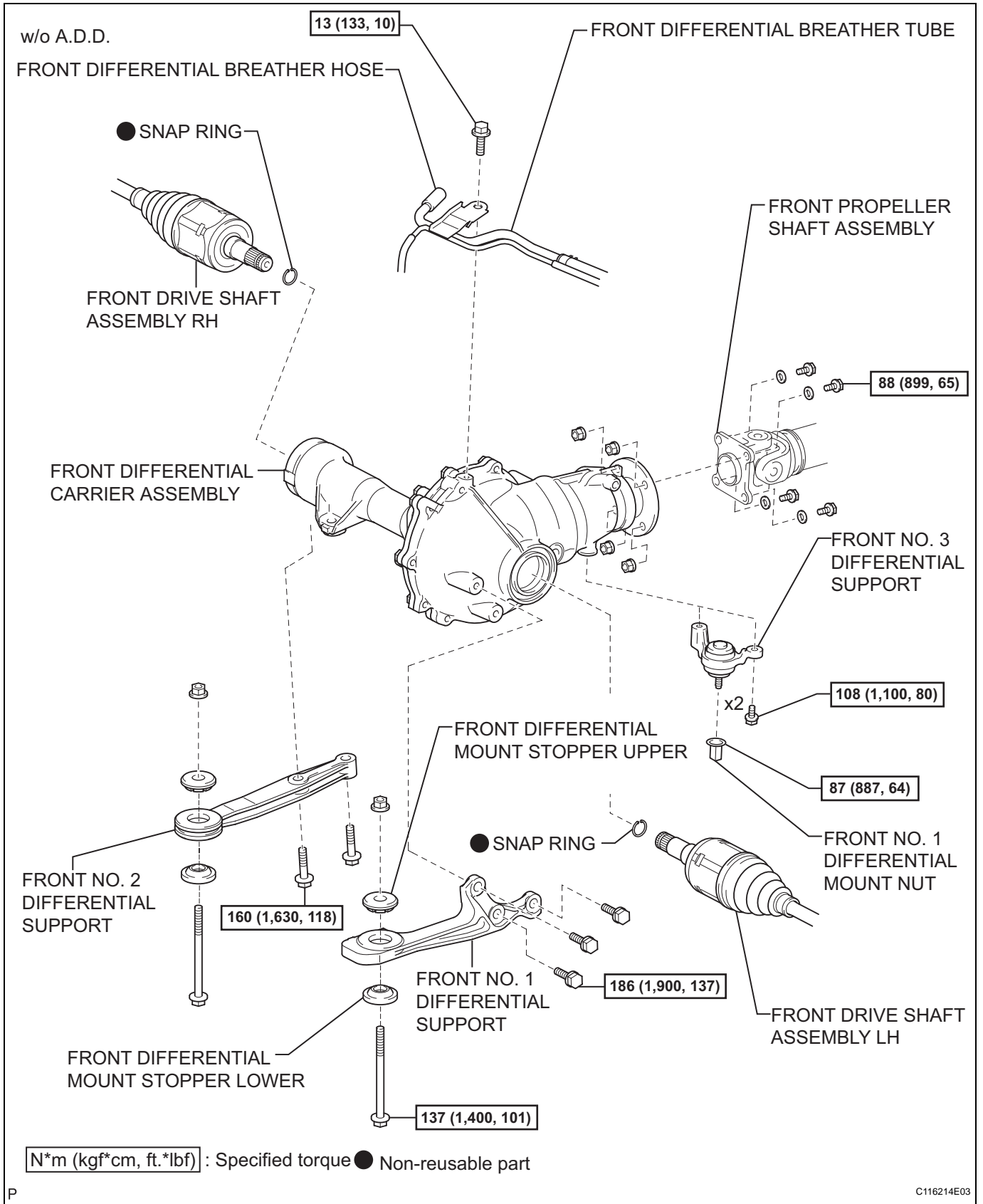
FRONT DIFFERENTIAL CARRIER ASSEMBLY

COMPONENTS



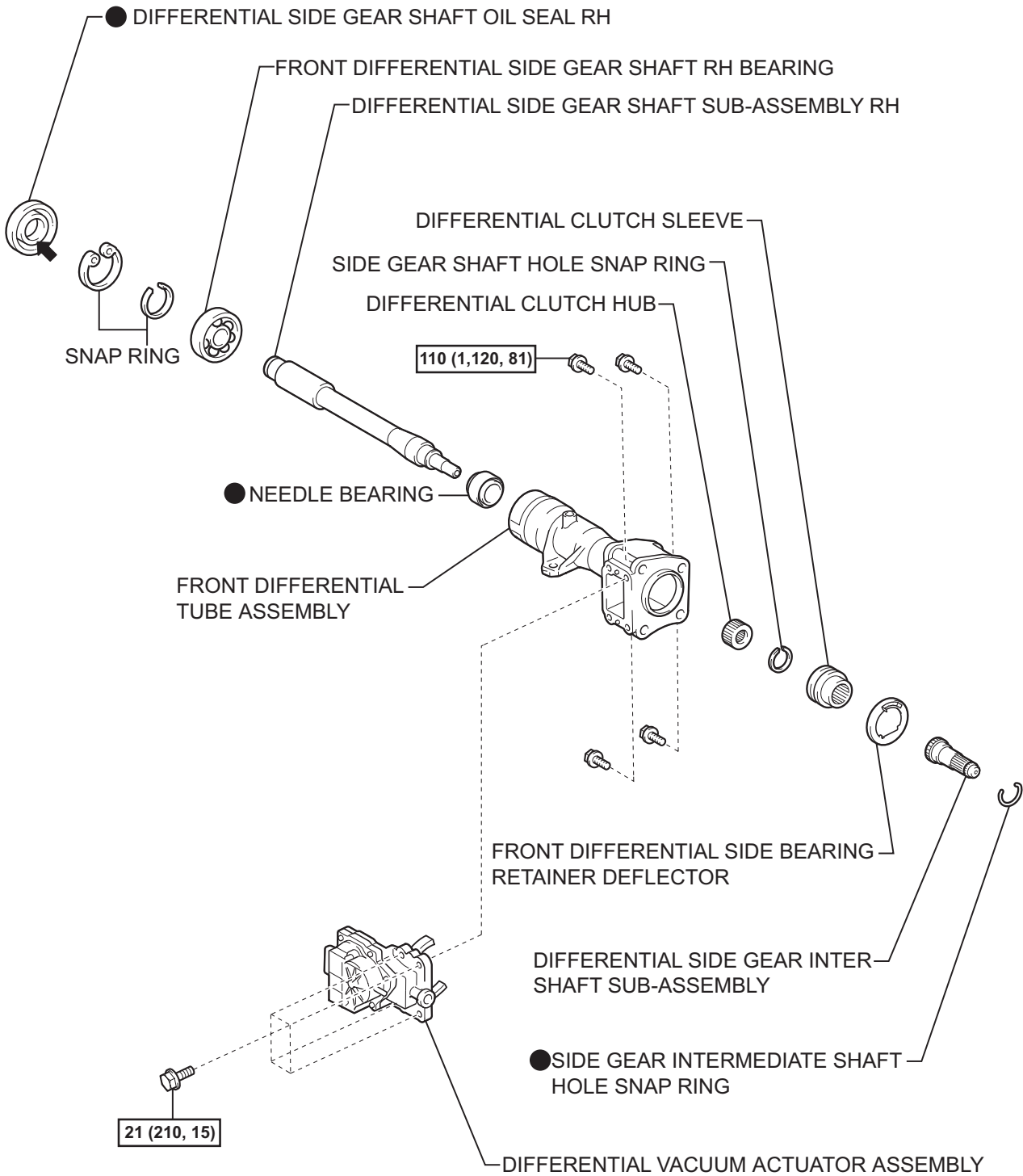
N*m (kgf*cm, ft.*lbf) : Specified torque ● Non-reusable part

DF



DF

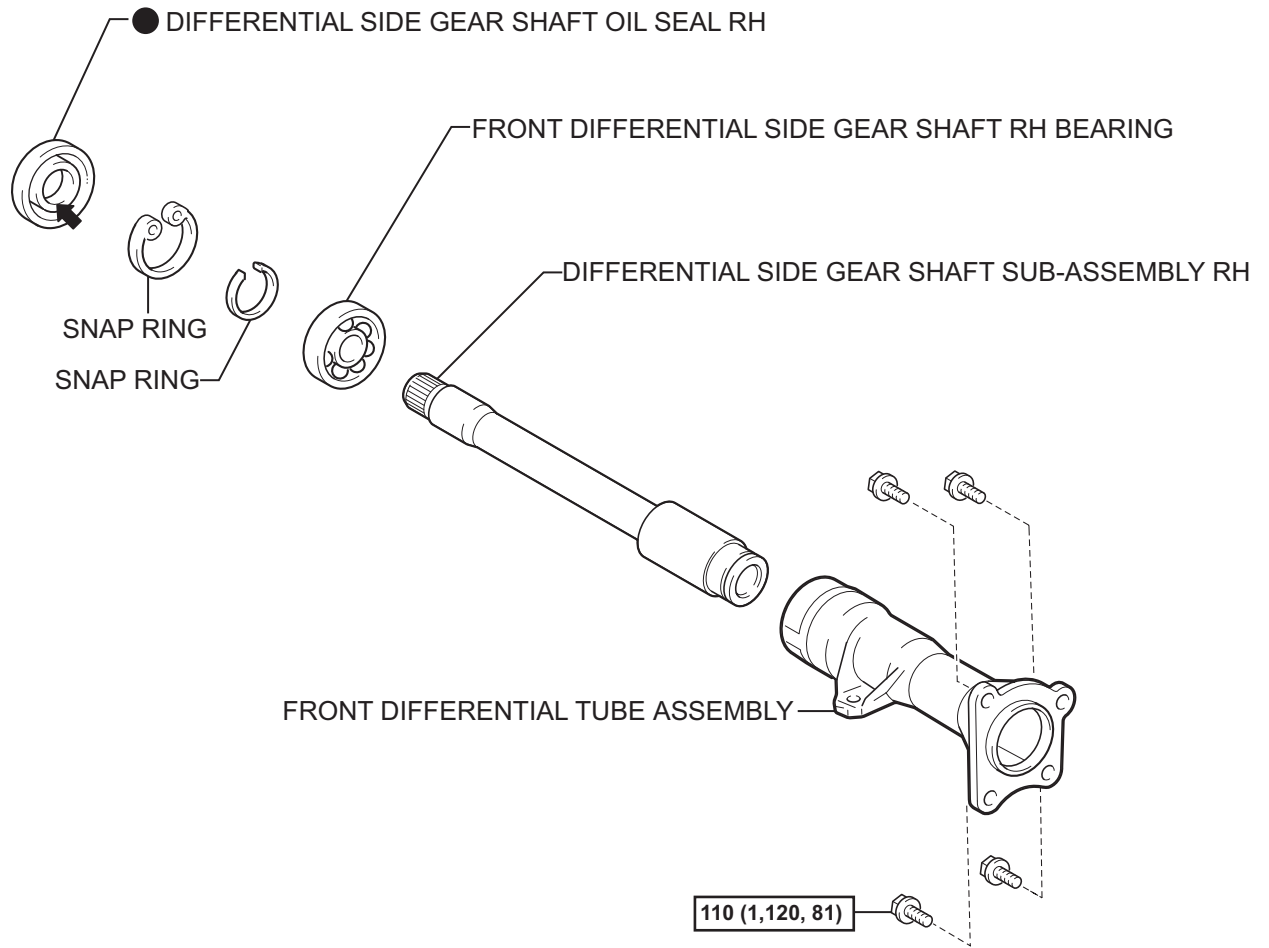
w/ A.D.D.



N*m (kgf*cm, ft.*lbf) : Specified torque

● Non-reusable part ← MP grease

w/o A.D.D.

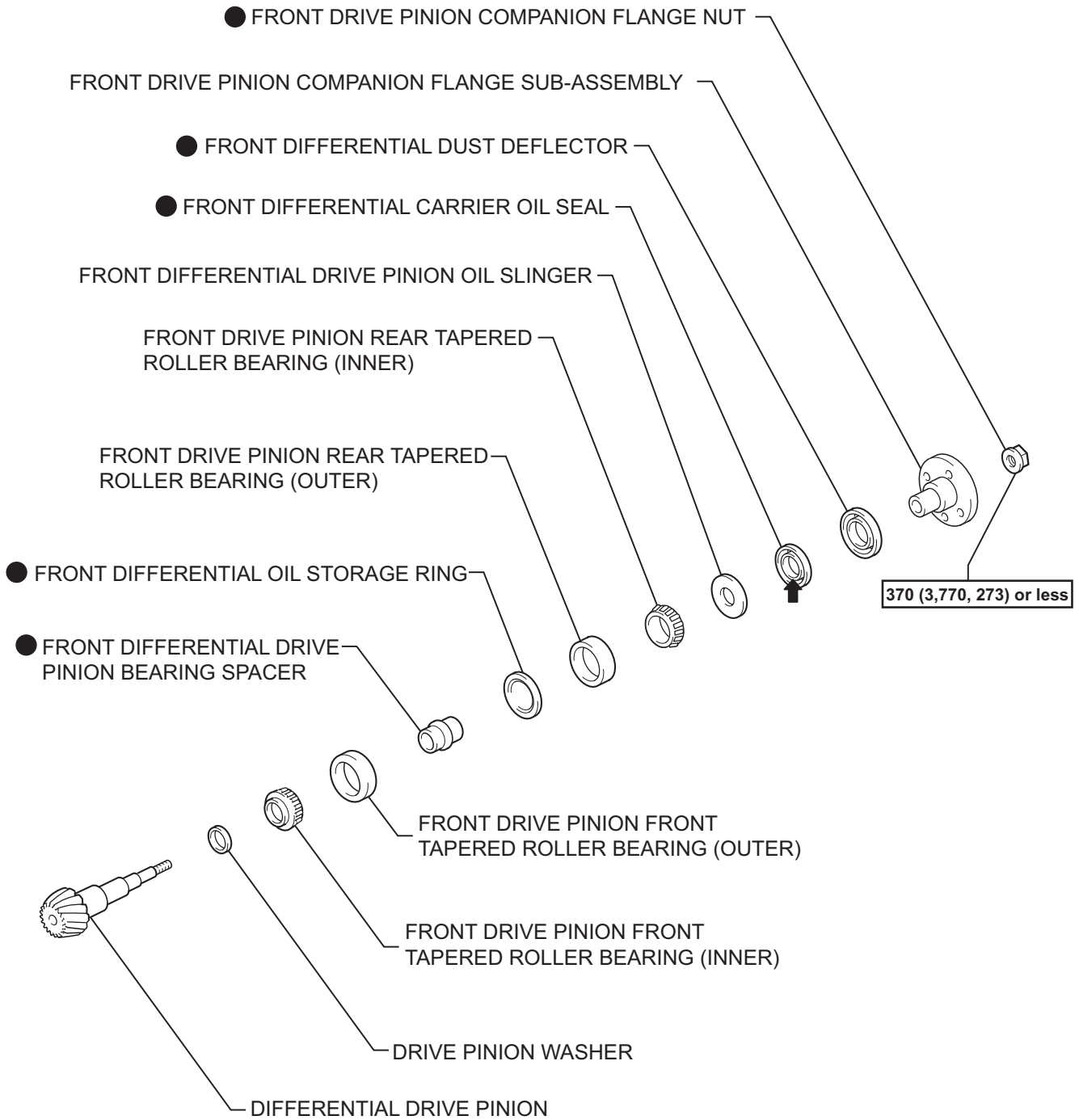


N*m (kgf*cm, ft.*lbf) : Specified torque

● Non-reusable part ← MP grease

P

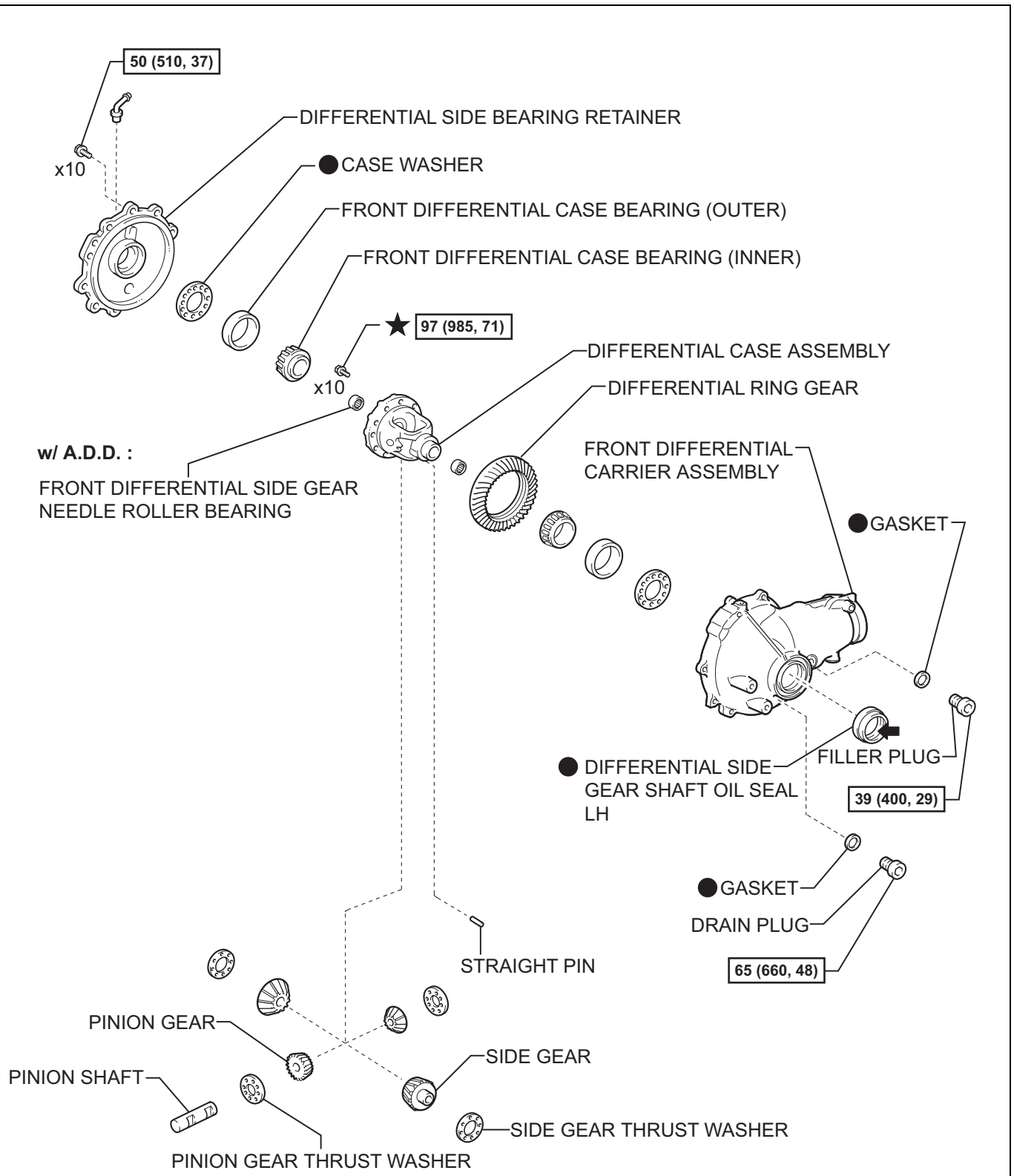
C116213E03



DF

N*m (kgf*cm, ft.*lbf) : Specified torque

● Non-reusable part ← MP grease



[N*m (kgf*cm, ft.*lbf)] : Specified torque

● Non-reusable part

★ Precoated part **←** MP grease