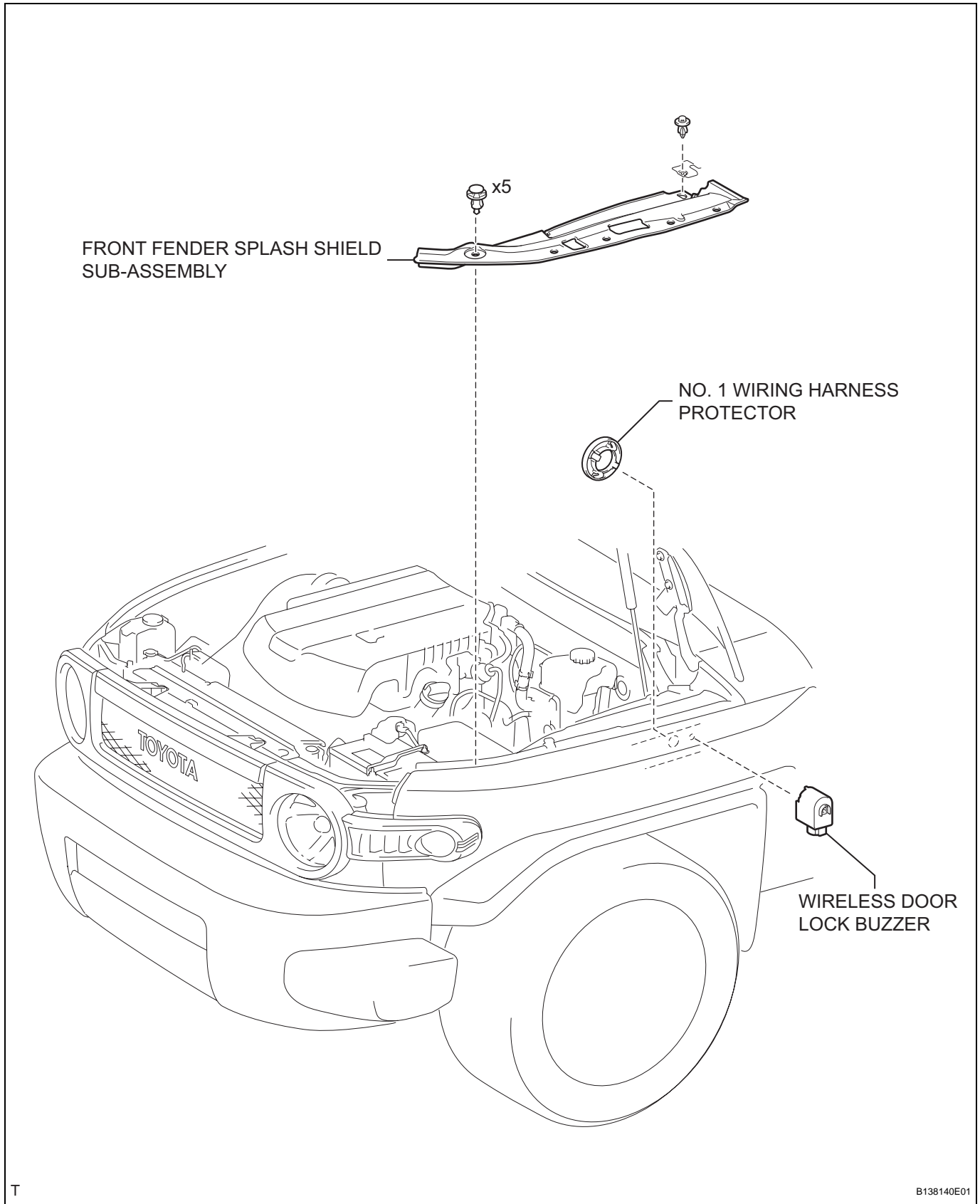


# WIRELESS DOOR LOCK BUZZER

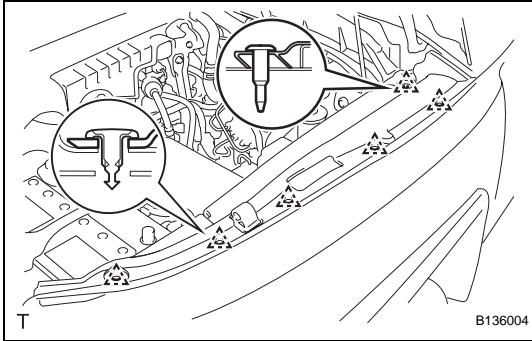
## COMPONENTS



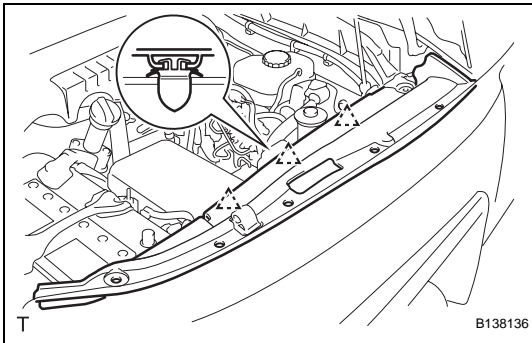
DL

**REMOVAL****1. DISCONNECT CABLE FROM NEGATIVE BATTERY TERMINAL****2. REMOVE FRONT FENDER SPLASH SHIELD SUB-ASSEMBLY**

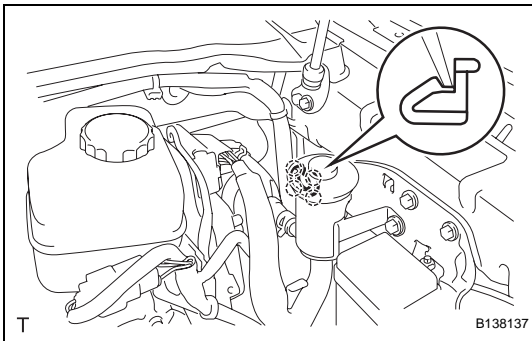
(a) Disengage the 6 clips.



(b) Disengage the 3 clips and remove the front fender splash shield.

**3. REMOVE NO. 1 WIRING HARNESS PROTECTOR**

(a) Disengage the 4 claws and remove the No. 1 wiring harness protector.

**4. REMOVE WIRELESS DOOR LOCK BUZZER**

(a) Disengage the clamp of the wireless door lock buzzer.

