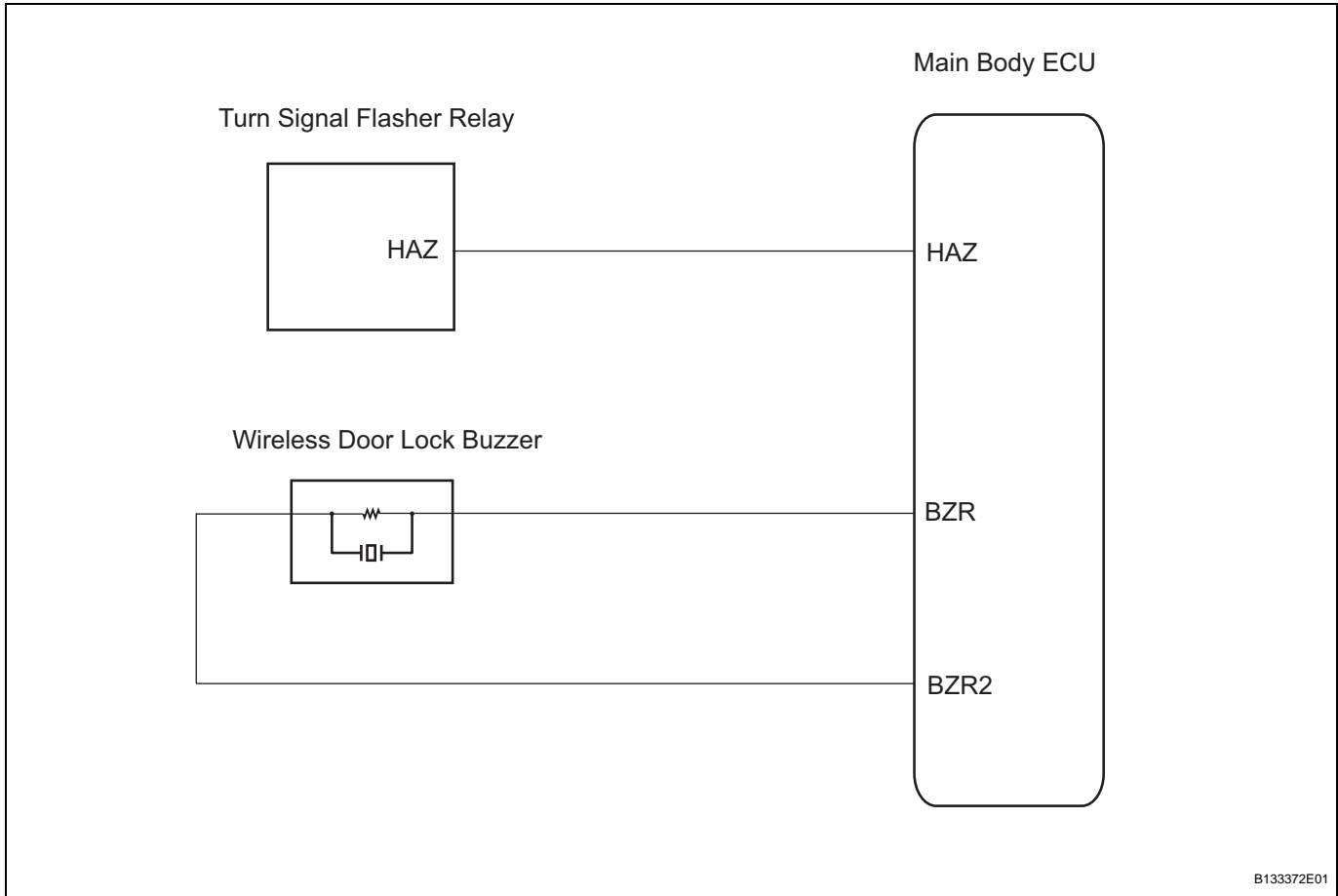


## No Answer-Back

### DESCRIPTION

In this case, wireless control functions are normal but the hazard warning light or wireless door lock buzzer answer-back function does not operate.

### WIRING DIAGRAM



### INSPECTION PROCEDURE

1

#### CHECK WIRELESS DOOR LOCK CONTROL FUNCTIONS

- (a) Check the wireless door lock functions by operating the transmitter switches.

#### Result

Result	Proceed to
Wireless door lock functions are normal	A
Wireless door lock functions are abnormal	B

B

**GO TO PROBLEM SYMPTOMS TABLE**

A

<b>2</b>	<b>PERFORM ACTIVE TEST BY INTELLIGENT TESTER (HAZ, BUZZ CONT SOUND, BUZZ RESP SOUND)</b>
----------	--

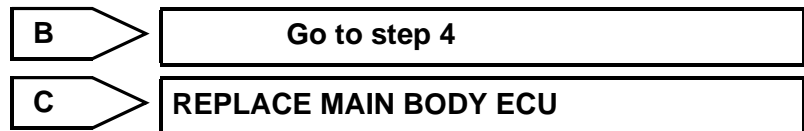
- (a) Select the Active Test, use the intelligent tester to generate a control command, and then check that the wireless door lock buzzer sounds.

**BODY**

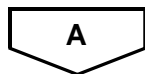
Item	Test Details	Diagnostic Note
HAZARD	Turns turn signal flasher relay ON / OFF	-
BUZZ CONT SOUND	Wireless door lock buzzer (continuous) ON/OFF	-
BUZZ RESP SOUND	Wireless door lock buzzer (beep) ON/OFF	-

**Result**

Result	Proceed to
Hazard warning light answer-back function does not operate	A
Wireless door lock buzzer answer-back function does not operate	B
Hazard warning light and wireless door lock buzzer answer-back function is normal	C



**DL**



<b>3</b>	<b>CHECK HAZARD WARNING LIGHTS</b>
----------	------------------------------------

- (a) Check that the hazard warning lights flash when the hazard warning signal switch is pressed.

**OK:**

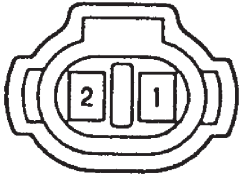
**Hazard warning lights flash when hazard warning signal switch is pressed.**



<b>REPLACE MAIN BODY ECU</b>
------------------------------

**4 INSPECT WIRELESS DOOR LOCK BUZZER**

Component Side:



B030785E03

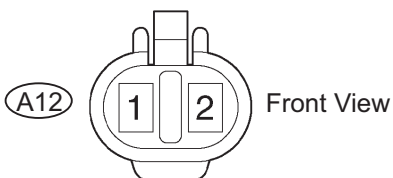
- Disconnect the clutch switch connector.
- Measure the resistance.

**Standard resistance**

Tester Connection	Specified Condition
1 - 2	Below 1 $\Omega$

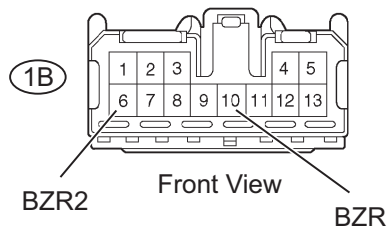
**NG****REPLACE WIRELESS DOOR LOCK BUZZER****OK****5 CHECK HARNESS AND CONNECTOR (WIRELESS DOOR LOCK BUZZER - MAIN BODY ECU)**

Wire Harness Side:



Wireless Door Lock Buzzer Connector

Main Body ECU Connector



Front View

BZR2

BZR

Y

B062227E01

- Disconnect the A12 buzzer connector.
- Disconnect the 1B main body ECU connector.
- Measure the resistance.

**Standard resistance**

Tester Connection	Specified Condition
1B-10 (BZR) - A12-1	Below 1 $\Omega$
1B-6 (BZR2) - A12-2	Below 1 $\Omega$
1B-10 (BZR) or A12-1 - Body ground	10 k $\Omega$ or higher
1B-6 (BZR2) or A12-2 - Body ground	10 k $\Omega$ or higher

- Reconnect the buzzer connector.
- Reconnect the main body ECU connector.

**NG****REPAIR OR REPLACE HARNESS OR CONNECTOR****OK****REPLACE MAIN BODY ECU**