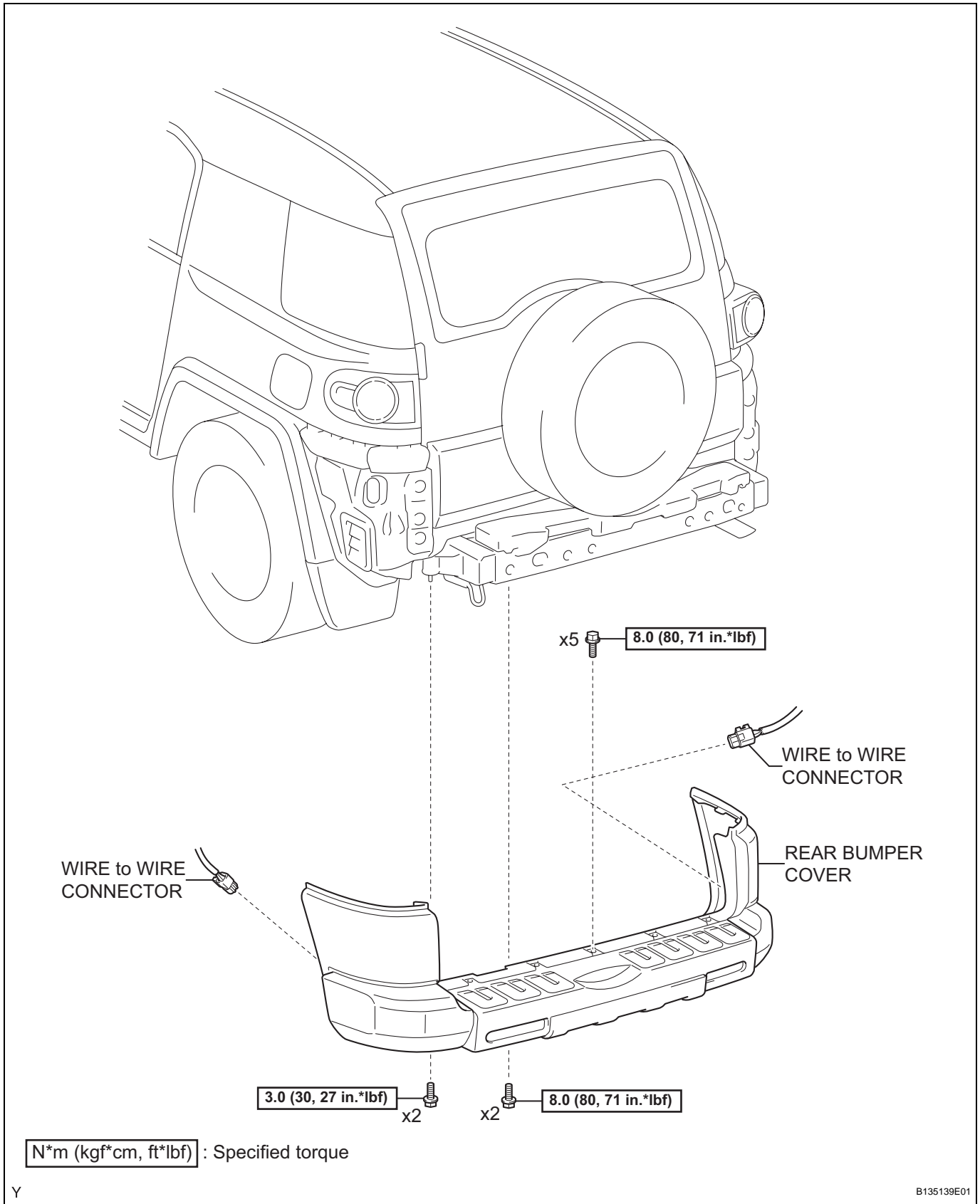
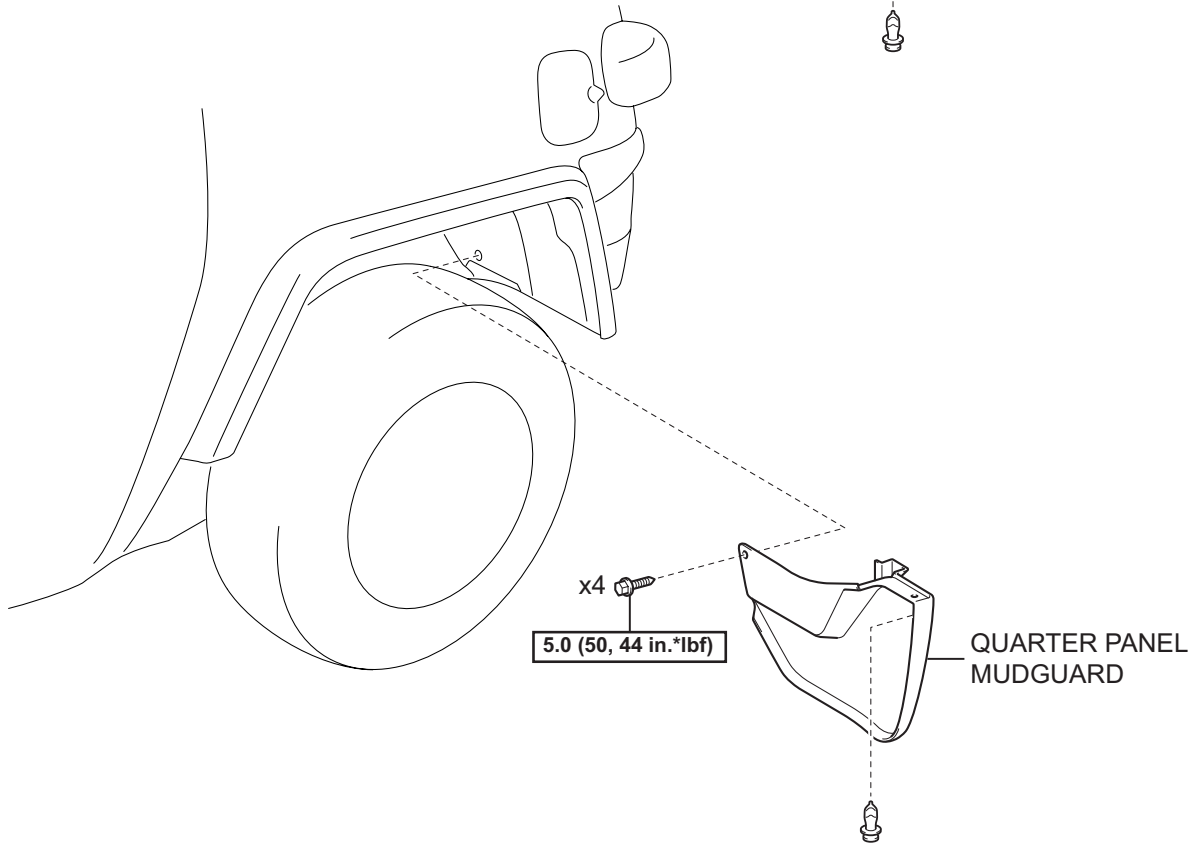
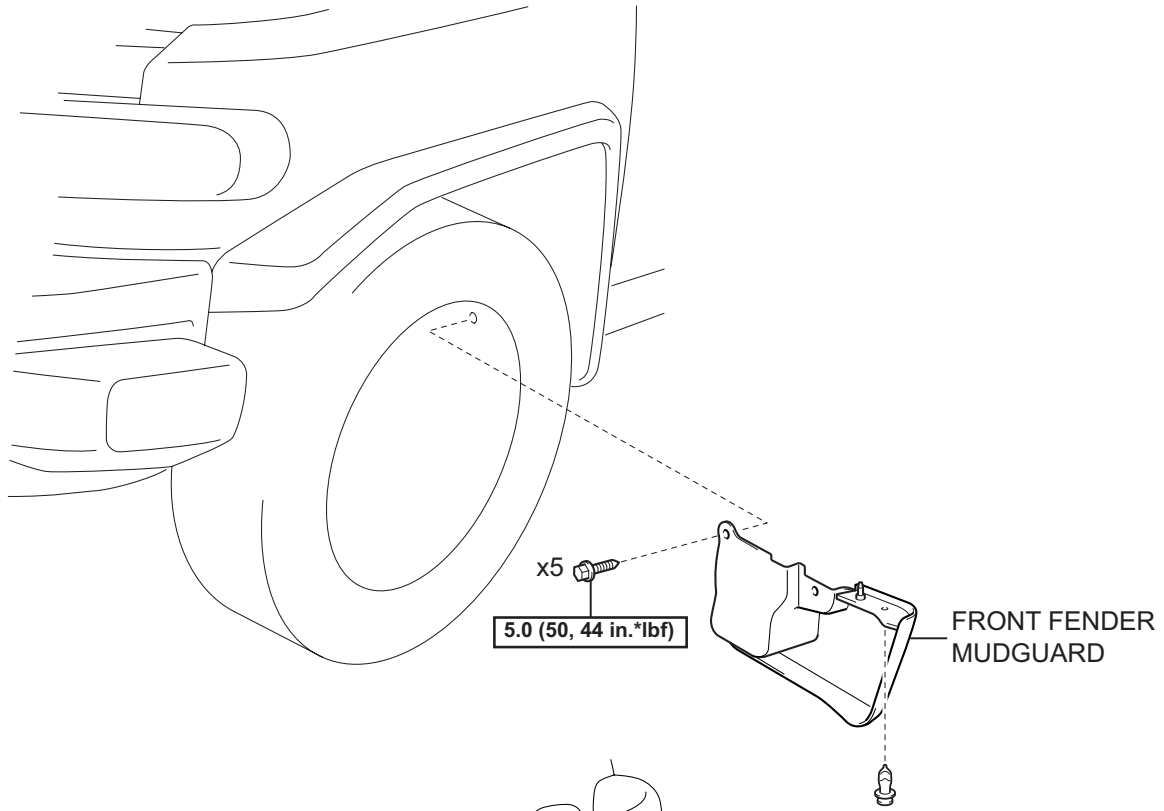


# FENDER PANEL MUDGUARD

## COMPONENTS



ET



**N\*m (kgf\*cm, ft\*lbf)** : Specified torque