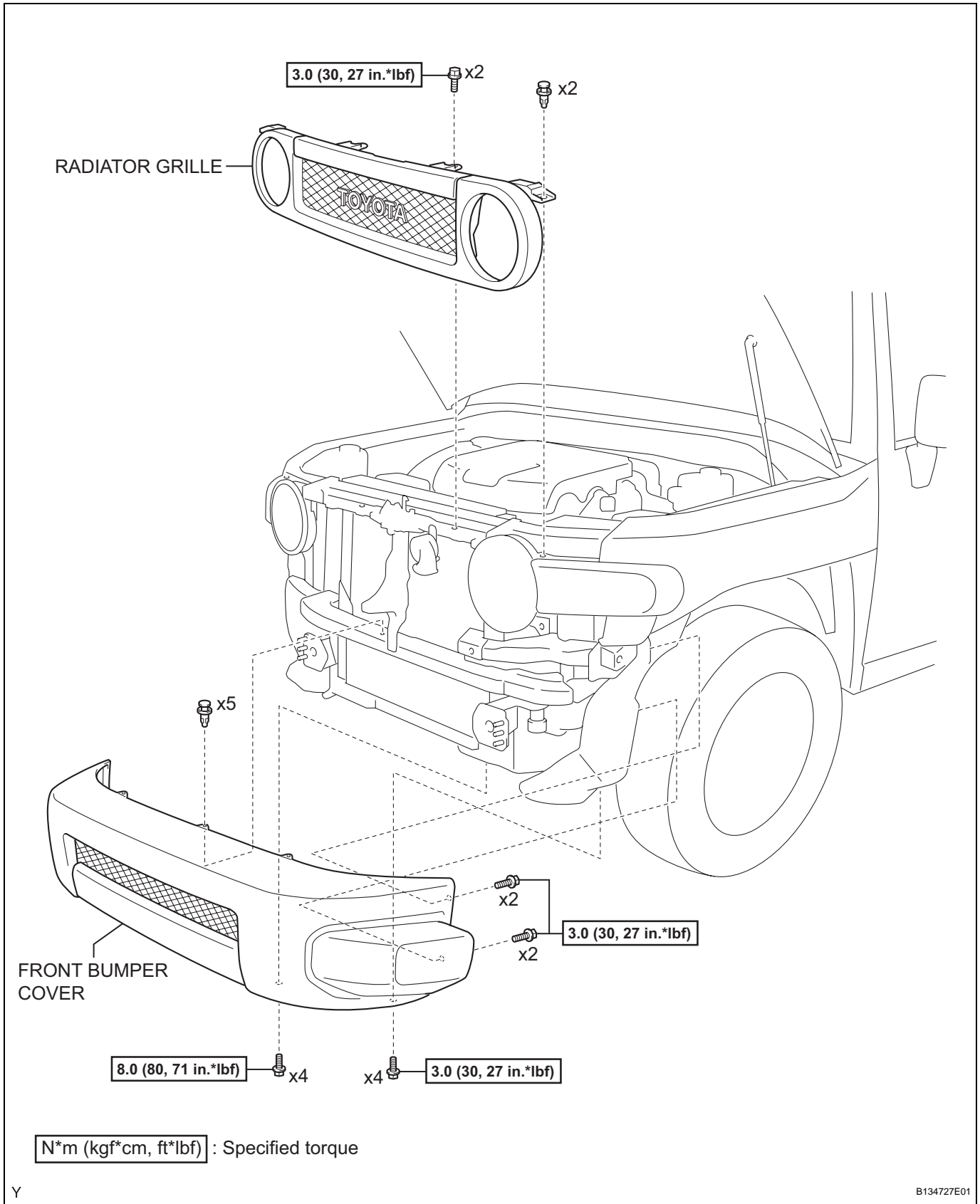
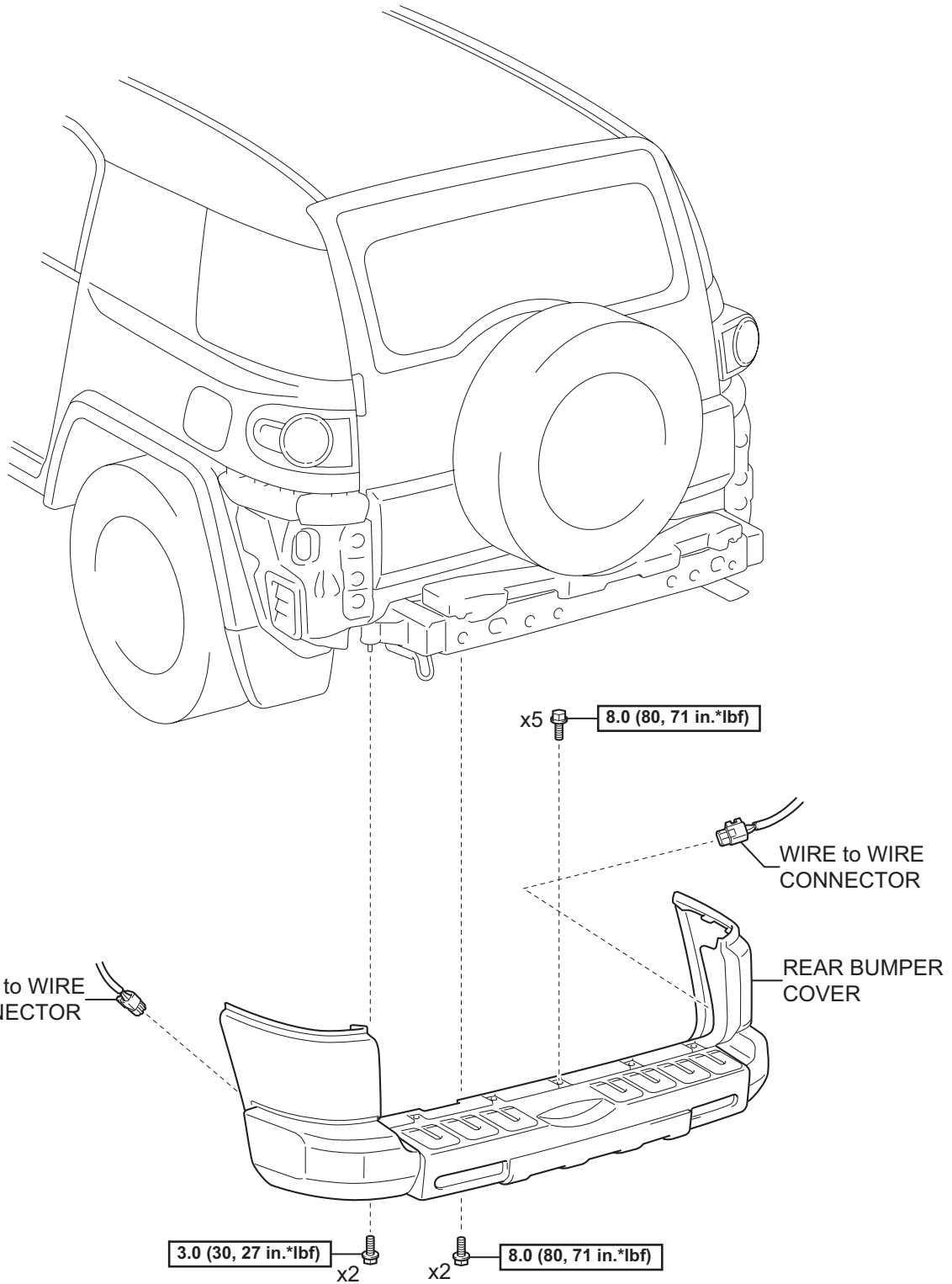


OUTSIDE MOULDING

COMPONENTS

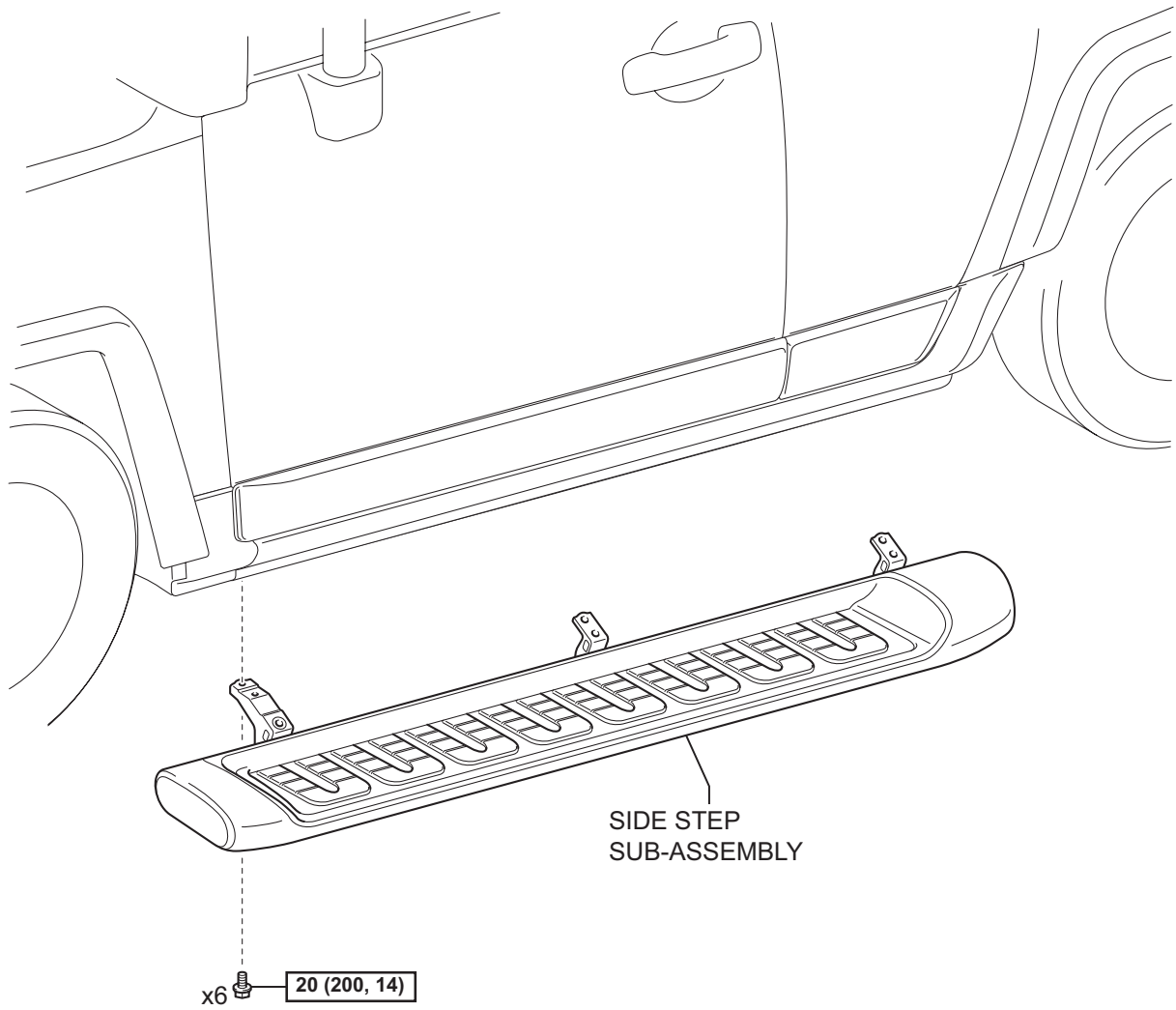


ET



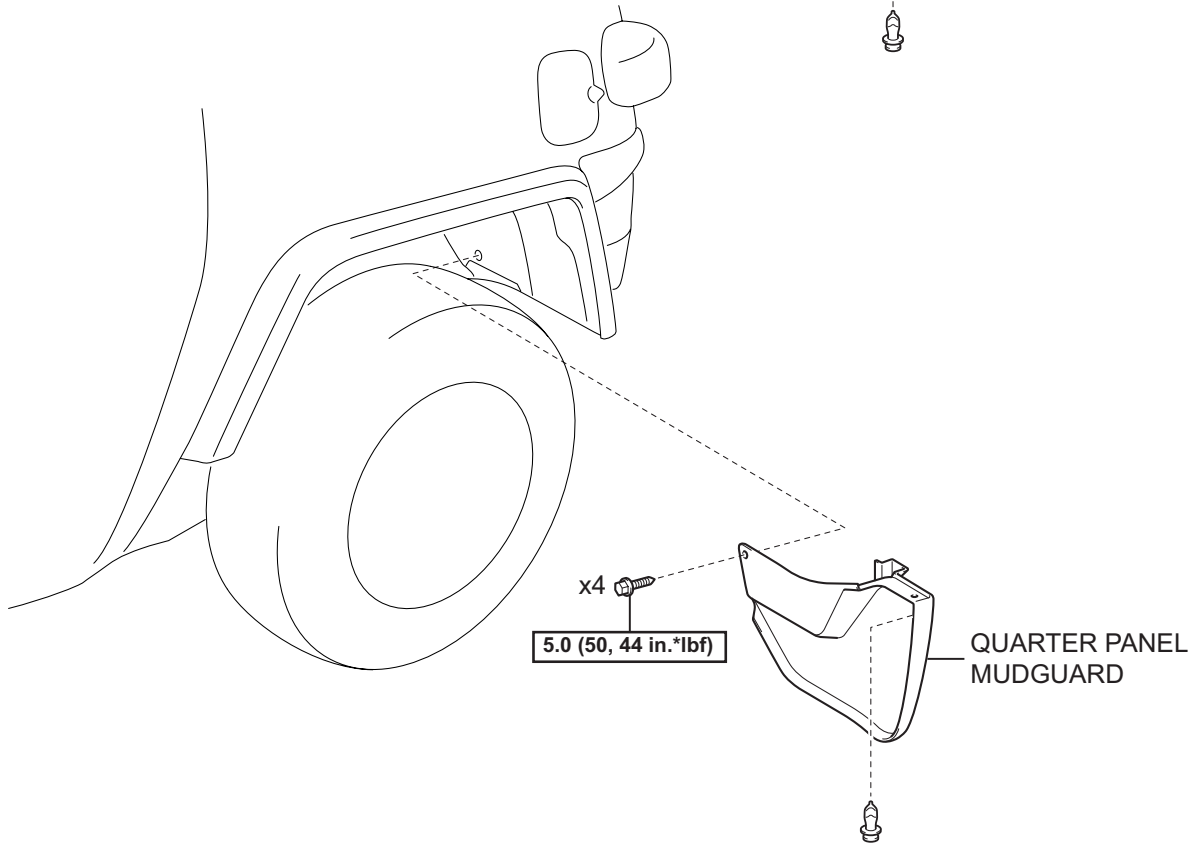
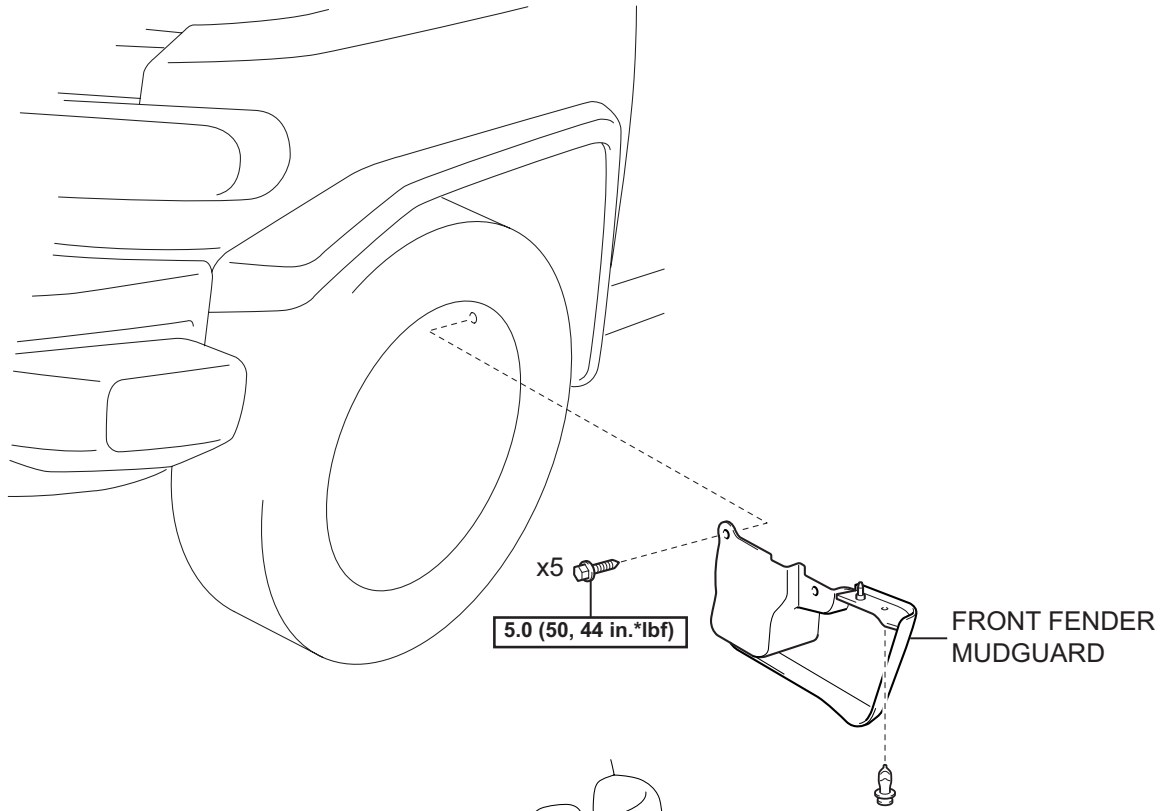
N*m (kgf*cm, ft*lbf) : Specified torque

w/ Side Step:

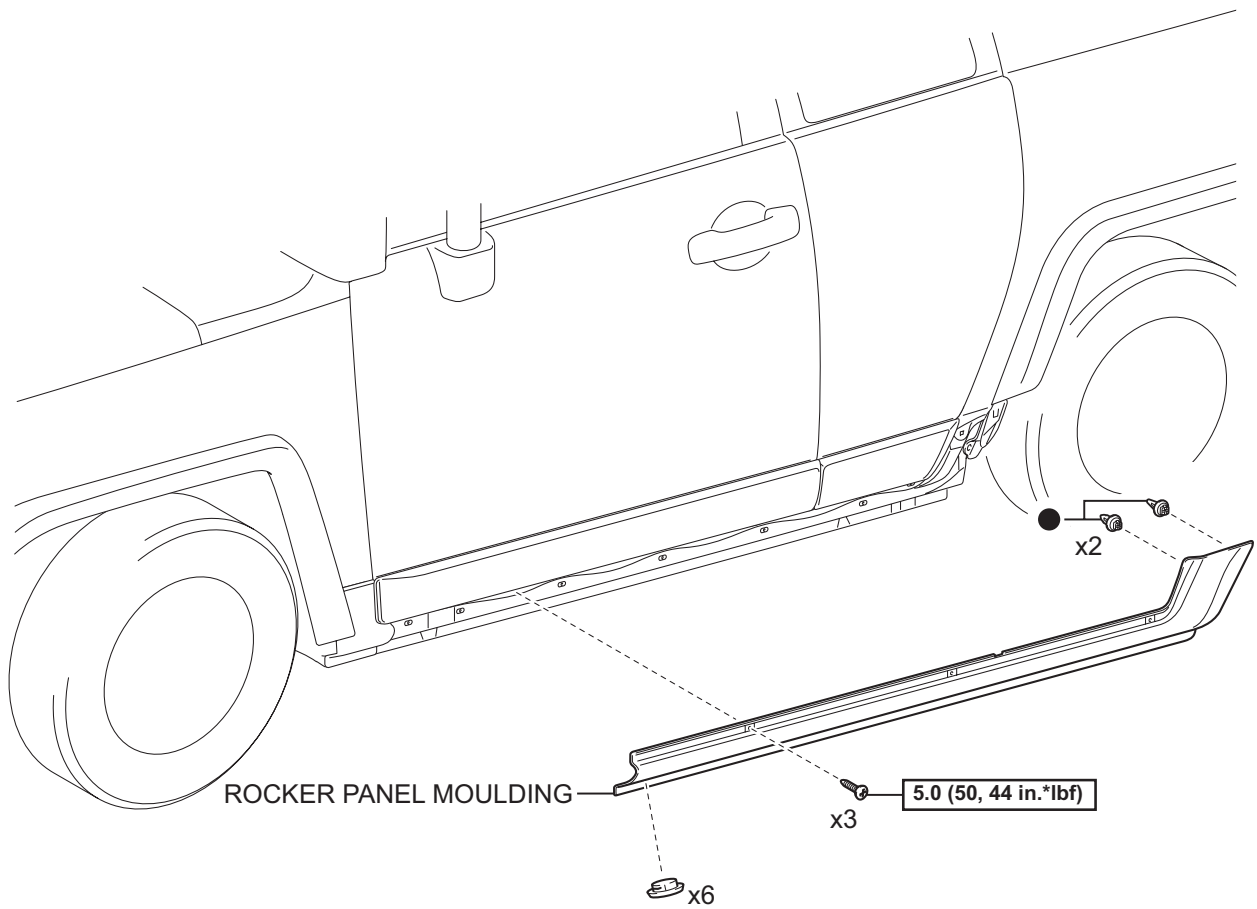


N*m (kgf*cm, ft*lbf) : Specified torque

ET



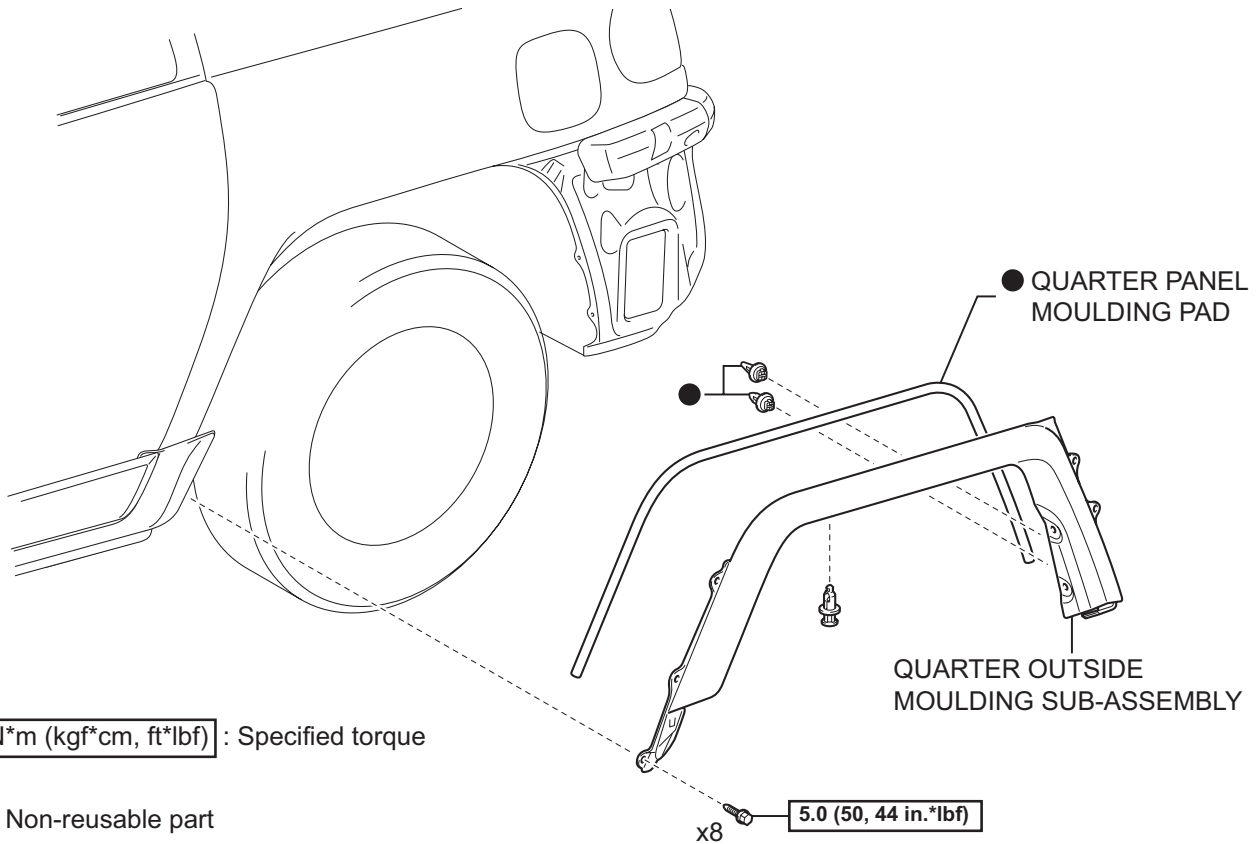
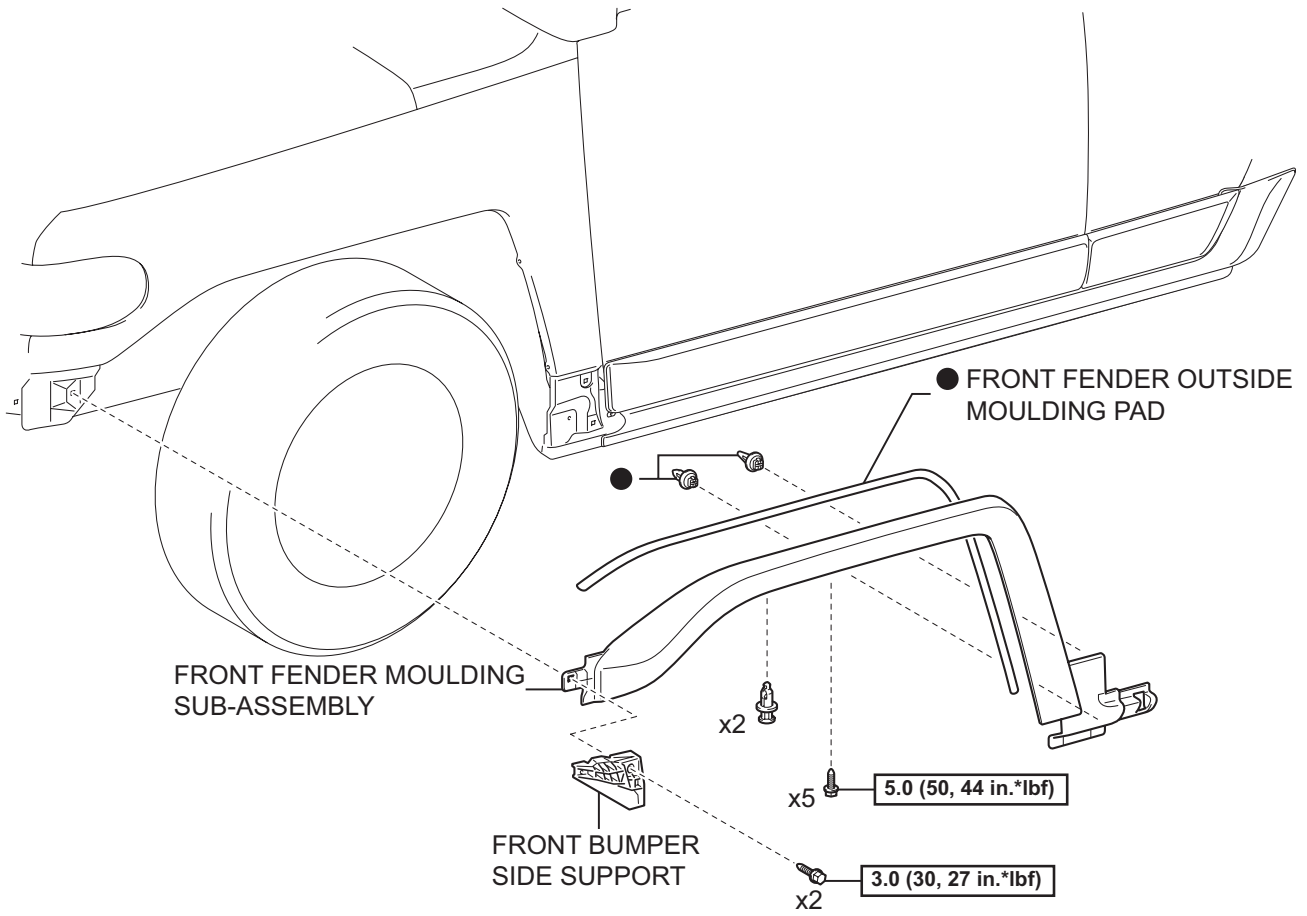
N*m (kgf*cm, ft*lbf) : Specified torque



N*m (kgf*cm, ft*lbf) : Specified torque

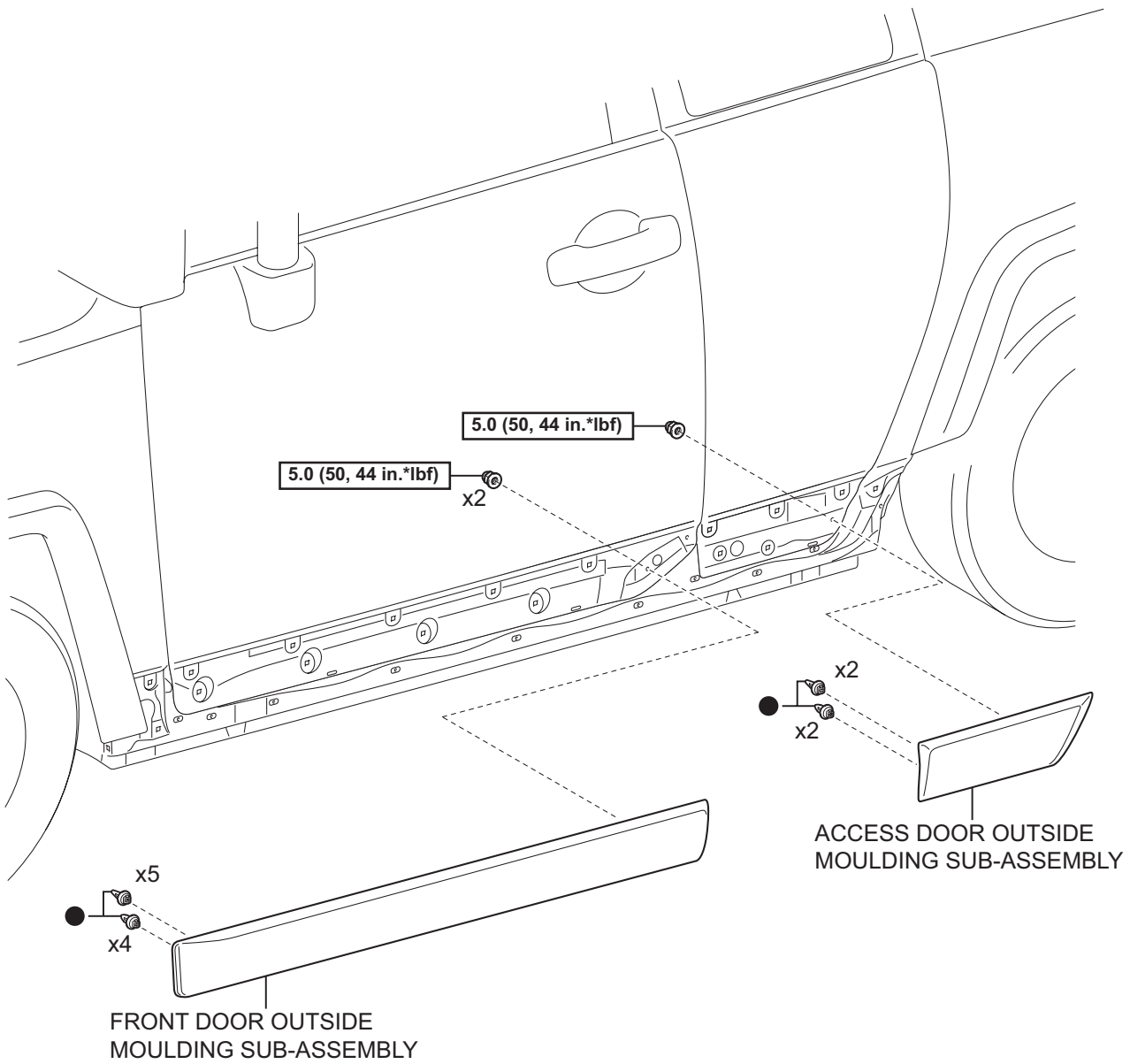
● Non-reusable part

ET



N*m (kgf*cm, ft*lbf) : Specified torque

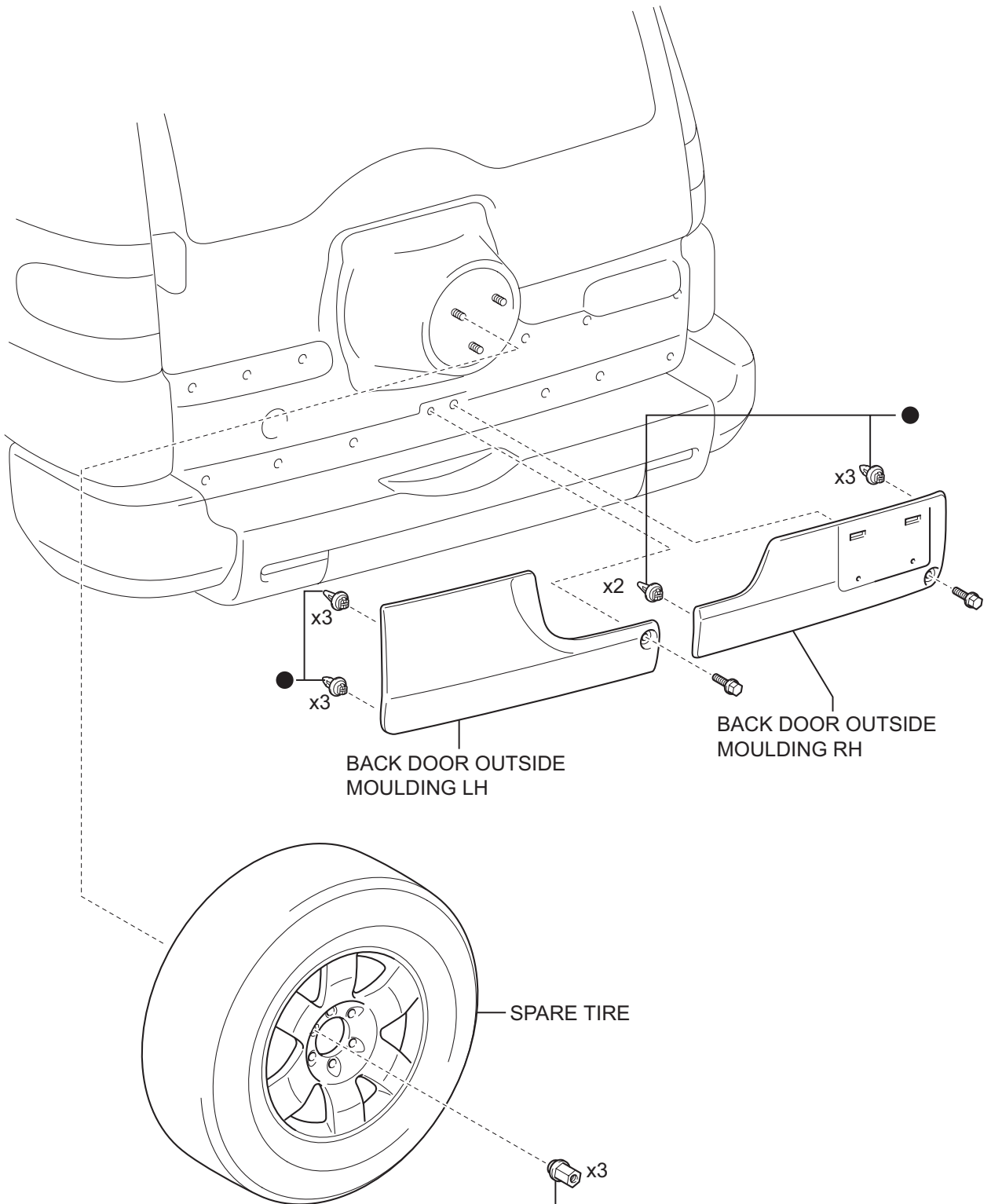
● Non-reusable part



N*m (kgf*cm, ft*lbf) : Specified torque

● Non-reusable part

ET



N*m (kgf*cm, ft*lb) : Specified torque

● Non-reusable part

