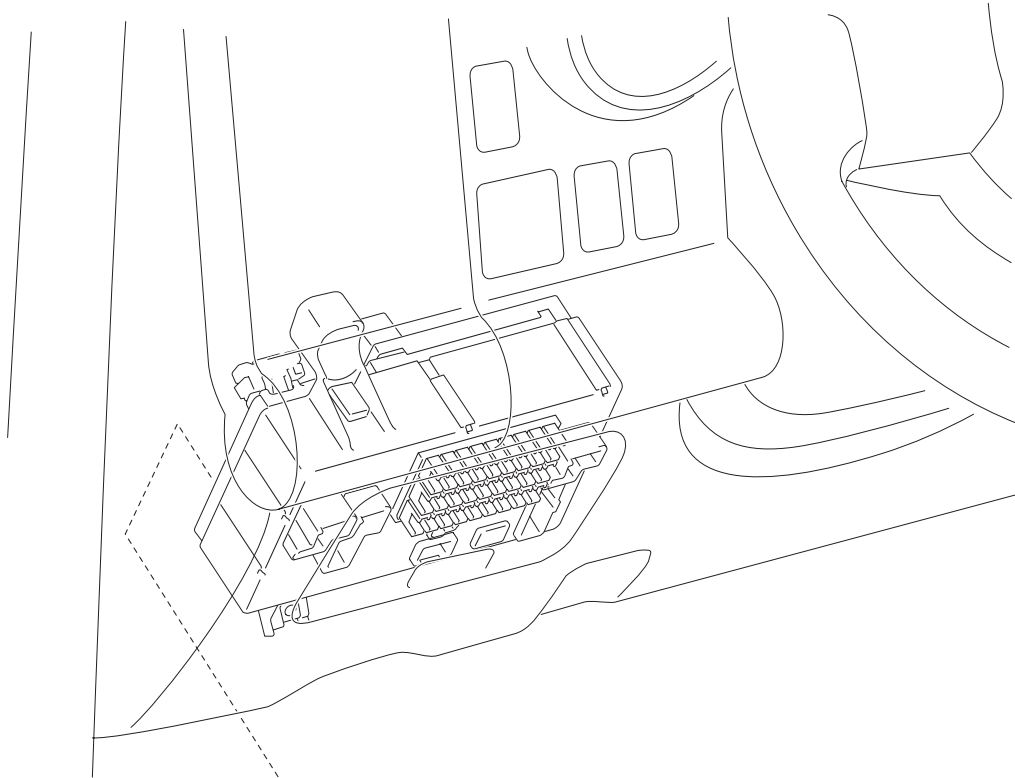


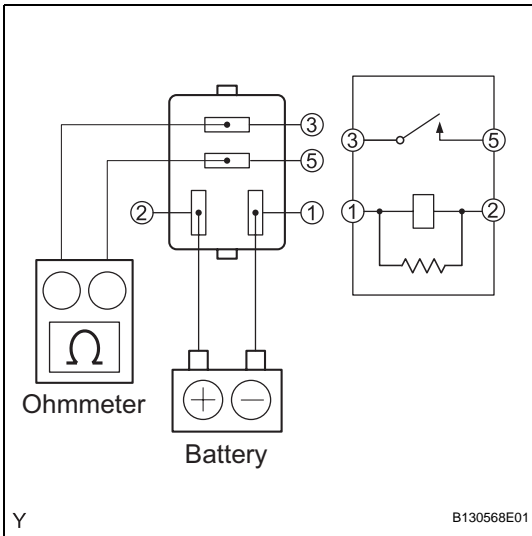
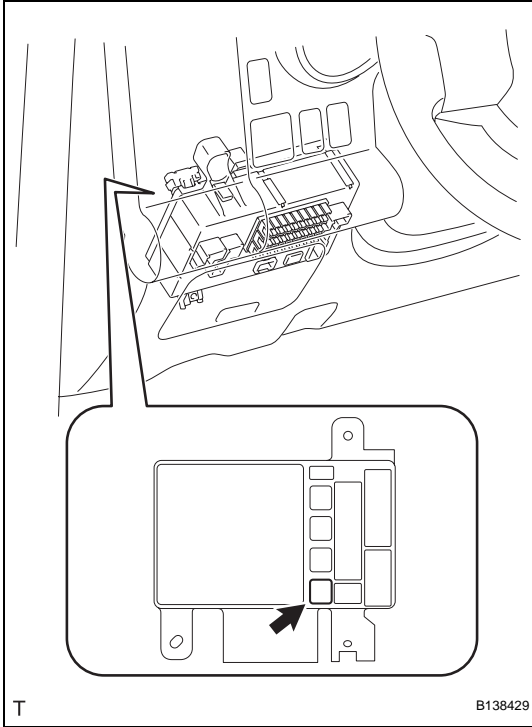
HORN RELAY COMPONENTS



HO

REMOVAL

1. **DISCONNECT CABLE FROM NEGATIVE BATTERY TERMINAL**
2. **REMOVE HORN RELAY**
 - (a) Remove the horn relay.



INSPECTION

1. **INSPECT HORN RELAY**
 - (a) Check the resistance.
 - (1) Using an ohmmeter, measure the resistance between the terminals.

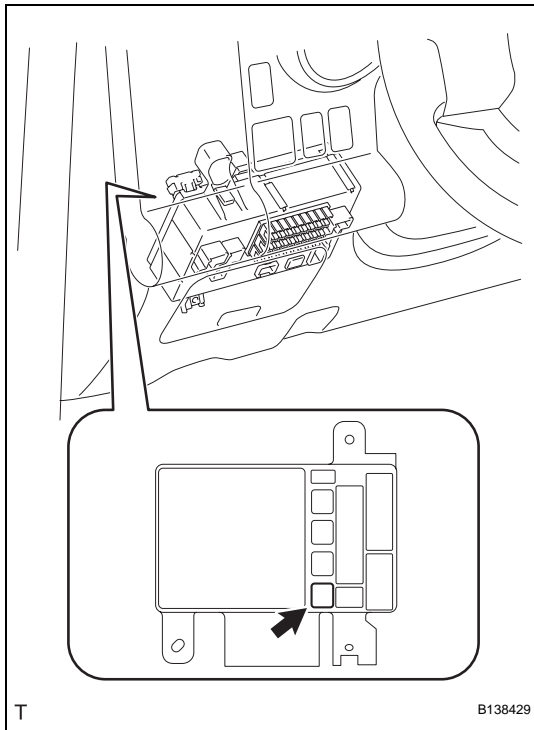
Standard resistance

Tester Connection	Specified Condition
3 - 5	10 k Ω or higher
	Below 1 Ω (Battery voltage applied to terminals 1 and 2)

If the result is not as specified, replace the horn relay.

INSTALLATION

1. **INSTALL HORN RELAY**
 - (a) Install the horn relay.
2. **CONNECT CABLE TO NEGATIVE BATTERY TERMINAL**
Torque: 3.9 N*m (40 kgf*cm, 35 in.*lbf)



T

B138429