

- (c) Check the resistance of the turn signal switch.
  - (1) Using an ohmmeter, measure the resistance and check the results in accordance with the value(s) in the table below.

**Standard Resistance**

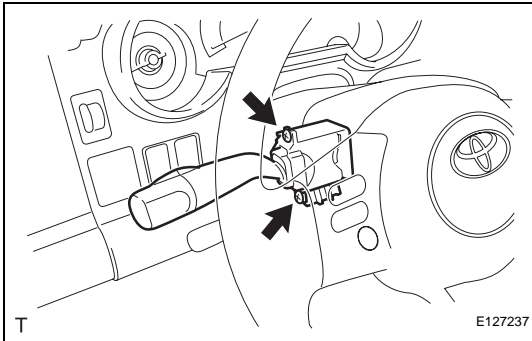
Tester Connection	Condition	Specified Condition
2 - 3	Right turn	Below 1 $\Omega$
2 - 3	Neutral	10 k $\Omega$ or higher
1 - 2	Neutral	10 k $\Omega$ or higher
1 - 2	Left turn	Below 1 $\Omega$

If the result is not as specified, replace the headlight dimmer switch.

**INSTALLATION**

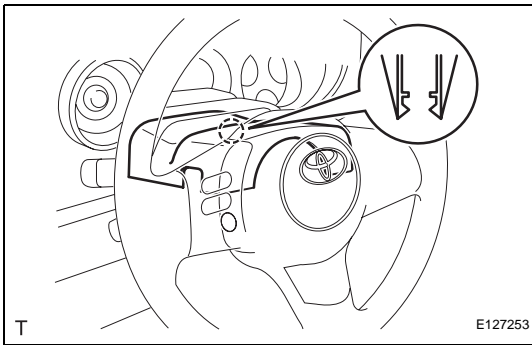
**1. INSTALL HEADLIGHT DIMMER SWITCH**

- (a) Install the headlight dimmer switch with the 2 screws.
- (b) Connect the connector.

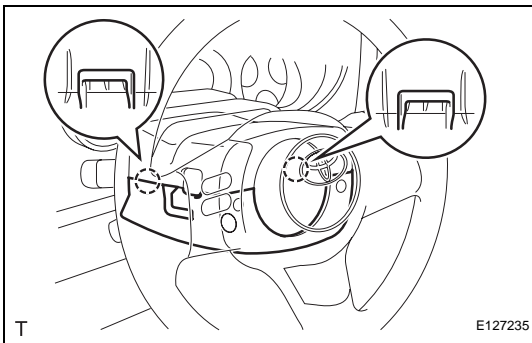


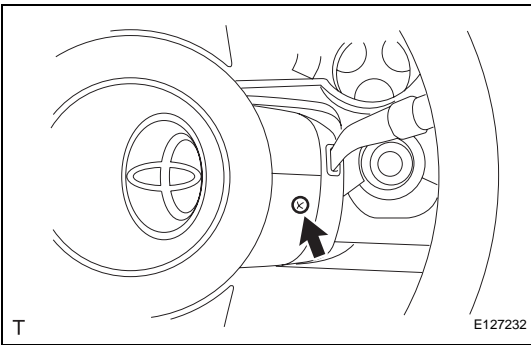
**2. INSTALL STEERING COLUMN COVER**

- (a) Engage the claw and install the upper steering column cover.

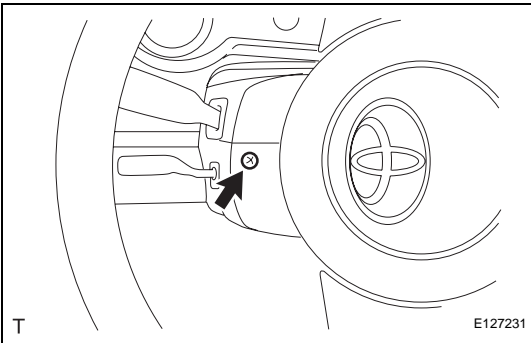


- (b) Engage the 2 claws and install the lower steering column cover.

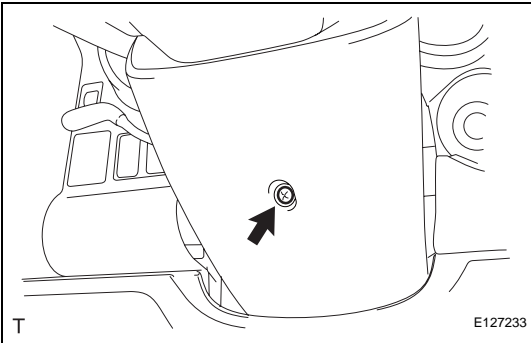




- (c) Turn the steering wheel to the right and tighten the screw indicated in the illustration.



- (d) Turn the steering wheel to the left and tighten the screw indicated in the illustration.



- (e) Tighten the screw indicated in the illustration.

**3. CONNECT CABLE TO NEGATIVE BATTERY TERMINAL**

**Torque: 3.9 N\*m (40 kgf\*cm, 35 in.\*lbf)**