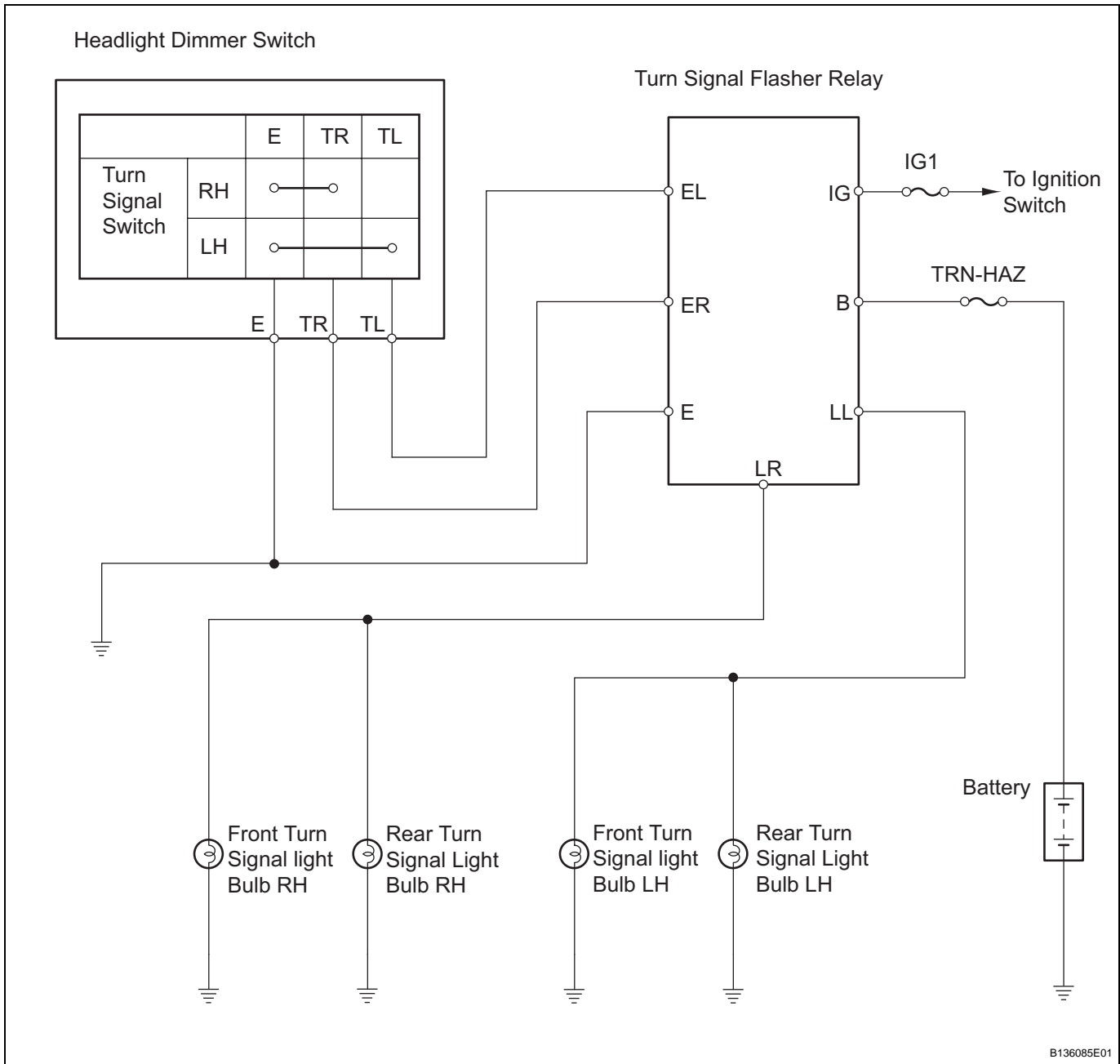


## Turn Signal Light Circuit

### DESCRIPTION

The turn signal flasher relay turns on when it receives signals from the headlight dimmer switch integrated with the turn signal switch, causing the turn signal lights to flash.

### WIRING DIAGRAM



B136085E01

### INSPECTION PROCEDURE

#### 1 CHECK OPERATION (TURN SIGNAL LIGHT)

- (a) When the turn signal light switch is operated, check that the appropriate turn signal light flashes.

**Result**

Condition	Proceed to
No lights flash	A
Front turn signal light (LH or RH) does not flash	B
Rear turn signal light (LH or RH) does not flash	C

**B** → **Go to step 8**

**C** → **Go to step 10**

**A**

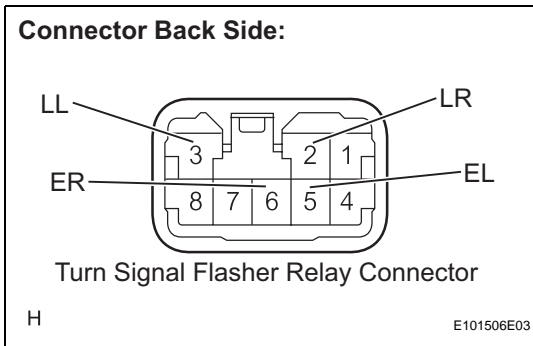
**2 INSPECT FUSE (IG1, TRN-HAZ)**

- (a) Remove the IG1 fuse from the main body ECU.
- (b) Remove the TRN-HAZ fuse from the engine room R/B No.2.
- (c) Measure the resistance.  
**Standard resistance:**  
**Below 1 Ω**
- (d) Reinstall the IG1 and TRN-HAZ fuses.

**NG** → **REPLACE FUSE**

**OK**

**3 INSPECT TURN SIGNAL FLASHER RELAY**



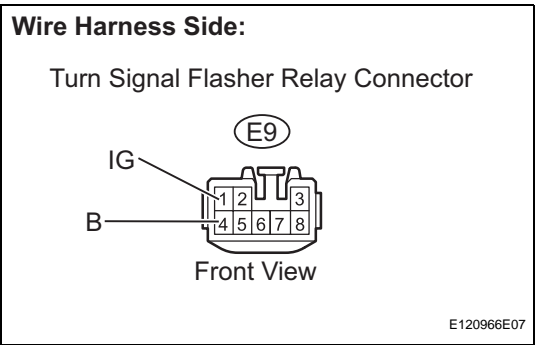
- (a) Measure the voltage.  
**Standard voltage**

Tester Connection	Condition	Specified Condition
2 (LR) - Body ground	Turn signal switch (right turn) OFF → ON	0 V → 11 to 14 V (60 to 120 times per minute)
3 (LL) - Body ground	Turn signal switch (left turn) OFF → ON	0 V → 11 to 14 V (60 to 120 times per minute)
5 (EL) - Body ground	Turn signal switch (left turn) OFF → ON	11 to 14 V → 0 V
6 (ER) - Body ground	Turn signal switch (right turn) OFF → ON	11 to 14 V → 0 V

**NG** → **REPLACE TURN SIGNAL FLASHER RELAY**

**OK**

**4 CHECK HARNESS AND CONNECTOR (FUSE - TURN SIGNAL FLASHER RELAY)**



- (a) Disconnect the E9 turn signal flasher relay connector.
- (b) Measure the voltage.

**Standard voltage**

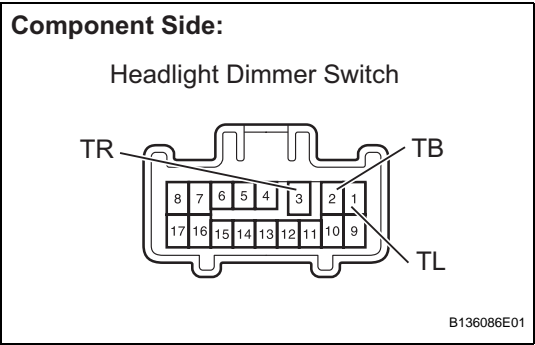
Tester Connection	Condition	Specified Condition
E9-1(IG) - Body ground	Ignition switch ON	11 to 14 V
E9-4 (B) - Body ground	Always	11 to 14 V

- (c) Reconnect the turn signal flasher relay connector.

**NG** → **REPAIR OR REPLACE HARNESS OR CONNECTOR**

**OK**

**5 INSPECT HEADLIGHT DIMMER SWITCH**



- (a) Remove the headlight dimmer switch.
- (b) Inspect the turn signal light switch.
- (c) Measure the resistance.

**Standard resistance**

Tester Connection	Condition	Specified Condition
2 (TB) - 3 (TR)	Right	Below 1 Ω
2 (TB) - 3 (TR)	Neutral	10 kΩ or higher
2 (TB) - 1 (TL)	Left	Below 1 Ω
2 (TB) - 1 (TL)	Neutral	10 kΩ or higher

- (d) Reinstall the headlight dimmer switch.

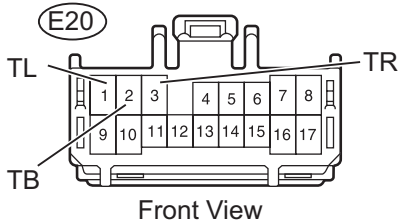
**NG** → **REPLACE HEADLIGHT DIMMER SWITCH**

**OK**

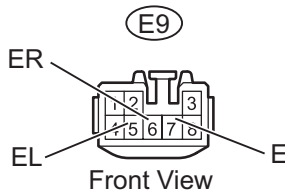
**6 CHECK HARNESS AND CONNECTOR (TURN SIGNAL FLASHER RELAY - HEADLIGHT DIMMER SWITCH)**

**Wire Harness Side:**

Headlight Dimmer Switch Connector



Turn Signal Flasher Relay Connector



B136087E01

- (a) Disconnect the E20 headlight dimmer switch connector.
- (b) Disconnect the E9 turn signal flasher relay connector.
- (c) Measure the resistance.

**Standard resistance**

Tester Connection	Specified Condition
E20-2 (TB) - E9 -7 (E)	Below 1 Ω
E20-2 (TB) or E9 -7 (E) - Body ground	10 kΩ or higher
E20-1 (TL) - E9-5 (EL)	Below 1 Ω
E20-1 (TL) or E9-5 (EL) - Body ground	10 kΩ or higher
E20-3 (TR) - E9-6 (ER)	Below 1 Ω
E20-3 (TR) or E9-6 (ER) - Body ground	10 kΩ or higher

- (d) Reconnect the headlight dimmer switch connector.
- (e) Reconnect the turn signal flasher relay connector.

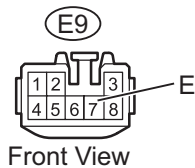
**NG** REPAIR OR REPLACE HARNESS OR CONNECTOR

**OK**

**7 CHECK HARNESS AND CONNECTOR (TURN SIGNAL FLASHER RELAY - BODY GROUND)**

**Wire Harness Side:**

Turn Signal Flasher Relay Connector



E120966E08

- (a) Disconnect the E9 turn signal flasher relay connector.
- (b) Measure the resistance.

**Standard resistance**

Tester Connection	Specified Condition
E9-7 (E) - Body ground	Below 1 Ω

- (c) Reconnect the turn signal flasher relay connector.


**NG** REPAIR OR REPLACE HARNESS OR CONNECTOR

**OK**

**REPAIR OR REPLACE HARNESS OR CONNECTOR (HEADLIGHT DIMMER SWITCH - BODY GROUND)**

**8 INSPECT BULB (FRONT TURN SIGNAL LIGHT BULB)**

**Component Side:**  
Front Turn Signal Light\*



\*: LH or RH

B136088E01

- (a) Remove the front turn signal light.
- (b) Apply battery voltage to the terminals and check that the front turn signal light illuminates.

**Standard**

Measurement Condition	Standard
Positive battery - Terminal 3 Negative battery - Terminal 2	Front turn signal light illuminates

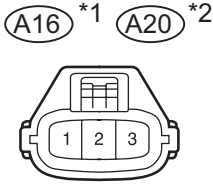
- (c) Reinstall the front turn signal light.

**NG** **REPLACE BULB**

**OK**

**9 CHECK HARNESS AND CONNECTOR (TURN SIGNAL FLASHER RELAY - FRONT TURN SIGNAL LIGHT)**


**Wire Harness Side:**  
Front Turn Signal Light Connector



\*1: LH  
\*2: RH

Front View

Turn Signal Flasher Relay Connector



Front View

B136089E01

- (a) Disconnect the E9 turn signal flasher relay connector.
- (b) Disconnect the A16 and A20 front turn signal light connectors.
- (c) Measure the resistance.

**Standard resistance**

Tester Connection	Specified Condition
E9-2 (LR) - A20-3	Below 1 Ω
E9-2 (LR) or A20-3 - Body ground	10 kΩ or higher
E9-3 (LL) - A16-3	Below 1 Ω
E9-3 (LL) or A16-3 - Body ground	10 kΩ or higher

- (d) Reconnect the turn signal flasher relay connector.
- (e) Reconnect the front turn signal light connectors.

**NG** **REPAIR OR REPLACE HARNESS OR CONNECTOR**

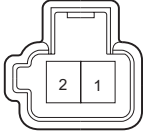
**OK**

**REPAIR OR REPLACE HARNESS OR CONNECTOR (FRONT TURN SIGNAL LIGHT - BODY GROUND)**

**10 INSPECT BULB (REAR TURN SIGNAL LIGHT BULB)**

**Component Side:**

Rear Turn Signal Light\*



\*: LH and RH

Y B136090E01

- (a) Remove the rear turn signal light.
- (b) Apply battery voltage to the terminals and check that the rear turn signal light illuminates.

**Standard**

Measurement Condition	Standard
Positive battery - Terminal 1 Negative battery - Terminal 2	Rear turn signal light illuminates

- (c) Reinstall the rear turn signal light.

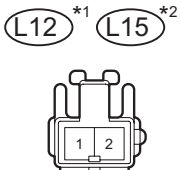
**NG** **REPLACE BULB**

**OK**

**11 CHECK HARNESS AND CONNECTOR (TURN SIGNAL FLASHER RELAY - REAR TURN SIGNAL LIGHT)**

**Wire Harness Side:**

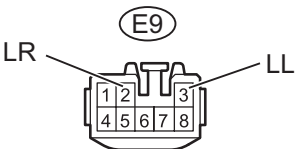
Rear Turn signal Light Connector



\*1: LH  
\*2: RH

Front View

Turn Signal Flasher Relay Connector



Front View

B136053E02

- (a) Disconnect the E9 turn signal flasher relay connector.
- (b) Disconnect the L12 and L15 rear turn signal light connectors.

- (c) Measure the resistance.

**Standard resistance**

Tester Connection	Specified Condition
E9-2 (LR) - L15-1	Below 1 Ω
E9-2 (LR) or L15-1 - Body ground	10 kΩ or higher
E9-3 (LL) - L12-1	Below 1 Ω
E9-3 (LL) or L12-1 - Body ground	10 kΩ or higher

- (d) Reconnect the turn signal flasher relay connector.
- (e) Reconnect the rear turn signal light connectors.

**NG** **REPAIR OR REPLACE HARNESS OR CONNECTOR**

**OK**

**REPAIR OR REPLACE HARNESS OR CONNECTOR (REAR TURN SIGNAL LIGHT ASSEMBLY - BODY GROUND)**