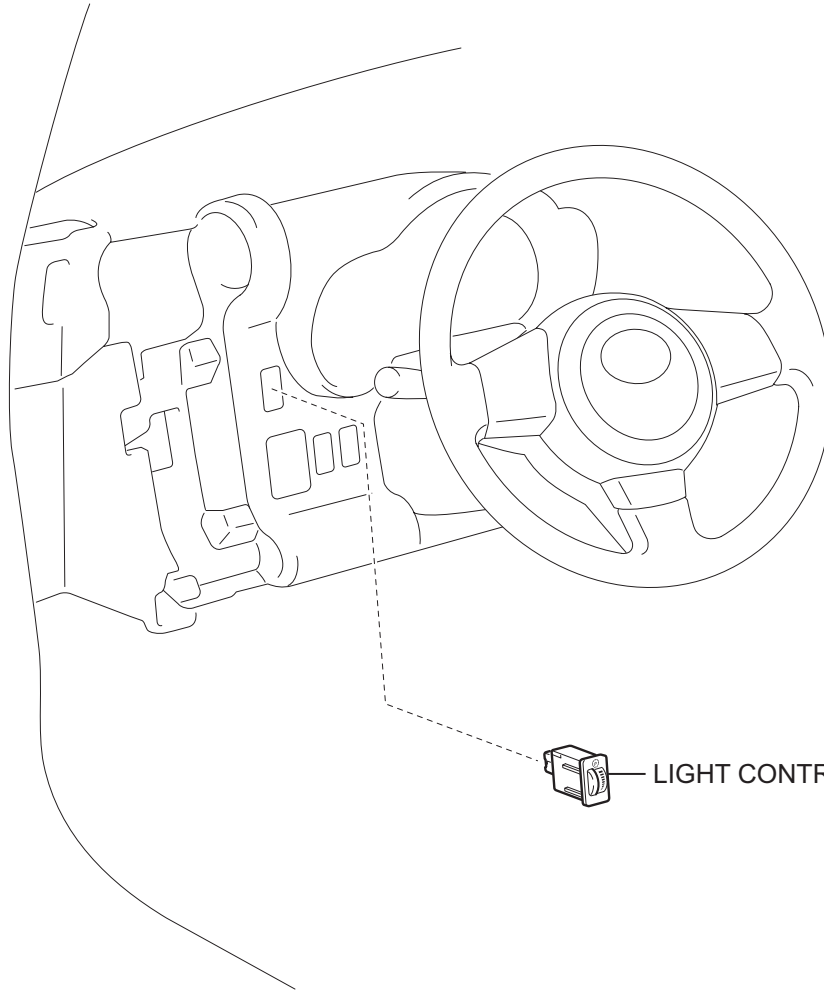
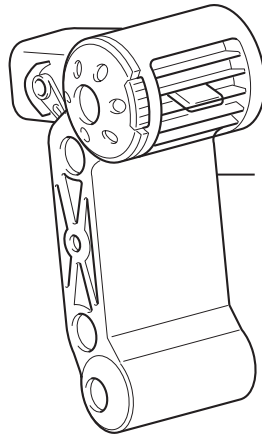


LIGHT CONTROL RHEOSTAT

COMPONENTS



LIGHT CONTROL RHEOSTAT

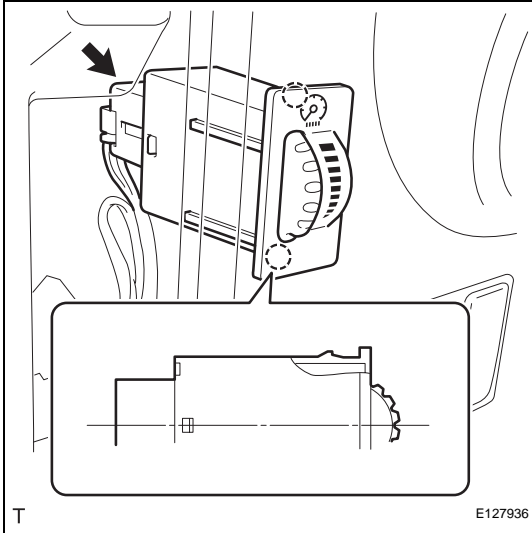


NO. 1 INSTRUMENT PANEL REGISTER ASSEMBLY

ME

REMOVAL

1. **DISCONNECT CABLE FROM NEGATIVE BATTERY TERMINAL**
2. **REMOVE NO. 1 INSTRUMENT PANEL REGISTER ASSEMBLY (See page [IP-13](#))**
3. **REMOVE LIGHT CONTROL RHEOSTAT**
 - (a) Disconnect the connector.
 - (b) Disengage the 2 claws and remove the light control rheostat.



INSTALLATION

1. **INSTALL LIGHT CONTROL RHEOSTAT**
 - (a) Engage the 2 claws and install the light control rheostat.
 - (b) Connect the connector.
2. **INSTALL NO. 1 INSTRUMENT PANEL REGISTER ASSEMBLY (See page [IP-30](#))**
3. **CONNECT CABLE TO NEGATIVE BATTERY TERMINAL**
Torque: 3.9 N*m (40 kgf*cm, 35 in.*lbf)

