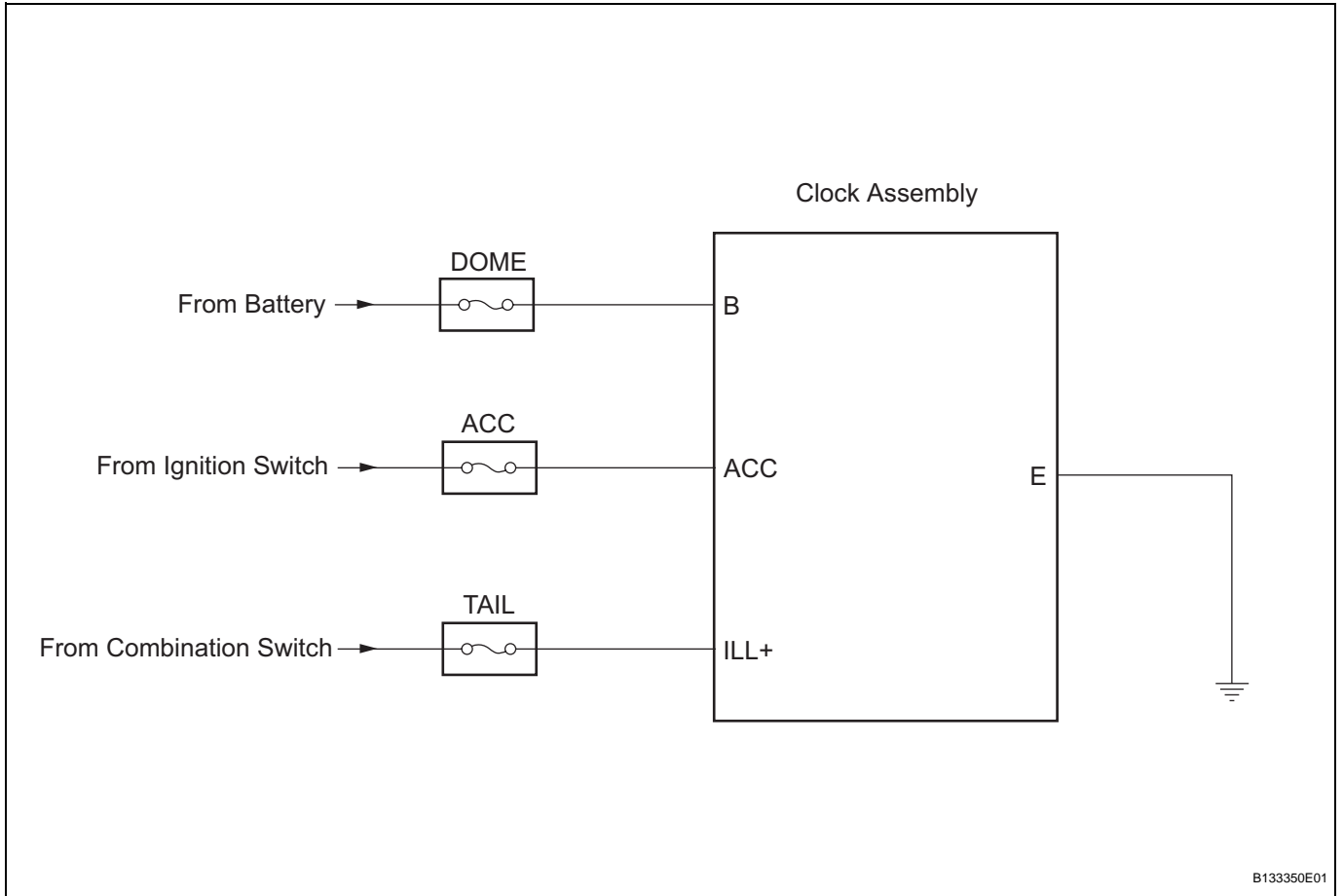


# SYSTEM DIAGRAM



## PROBLEM SYMPTOMS TABLE

### HINT:

Use the table below to help determine the causes of the problem symptom. The potential causes of the symptoms are listed in order of probability in the "Suspected Area" column of the table. Check each symptom by checking the suspected areas in the order they are listed. Replace parts as necessary.

### CLOCK ASSEMBLY

| Symptom                        | Suspected area   | See page             |
|--------------------------------|------------------|----------------------|
| Clock does not operate         | Fuse (DOME, ACC) | -                    |
|                                | Clock Assembly   | <a href="#">OT-4</a> |
|                                | Wire Harness     | -                    |
| Clock illumination malfunction | Fuse (TAIL)      | -                    |
|                                | Clock Assembly   | <a href="#">OT-4</a> |
|                                | Wire Harness     | -                    |