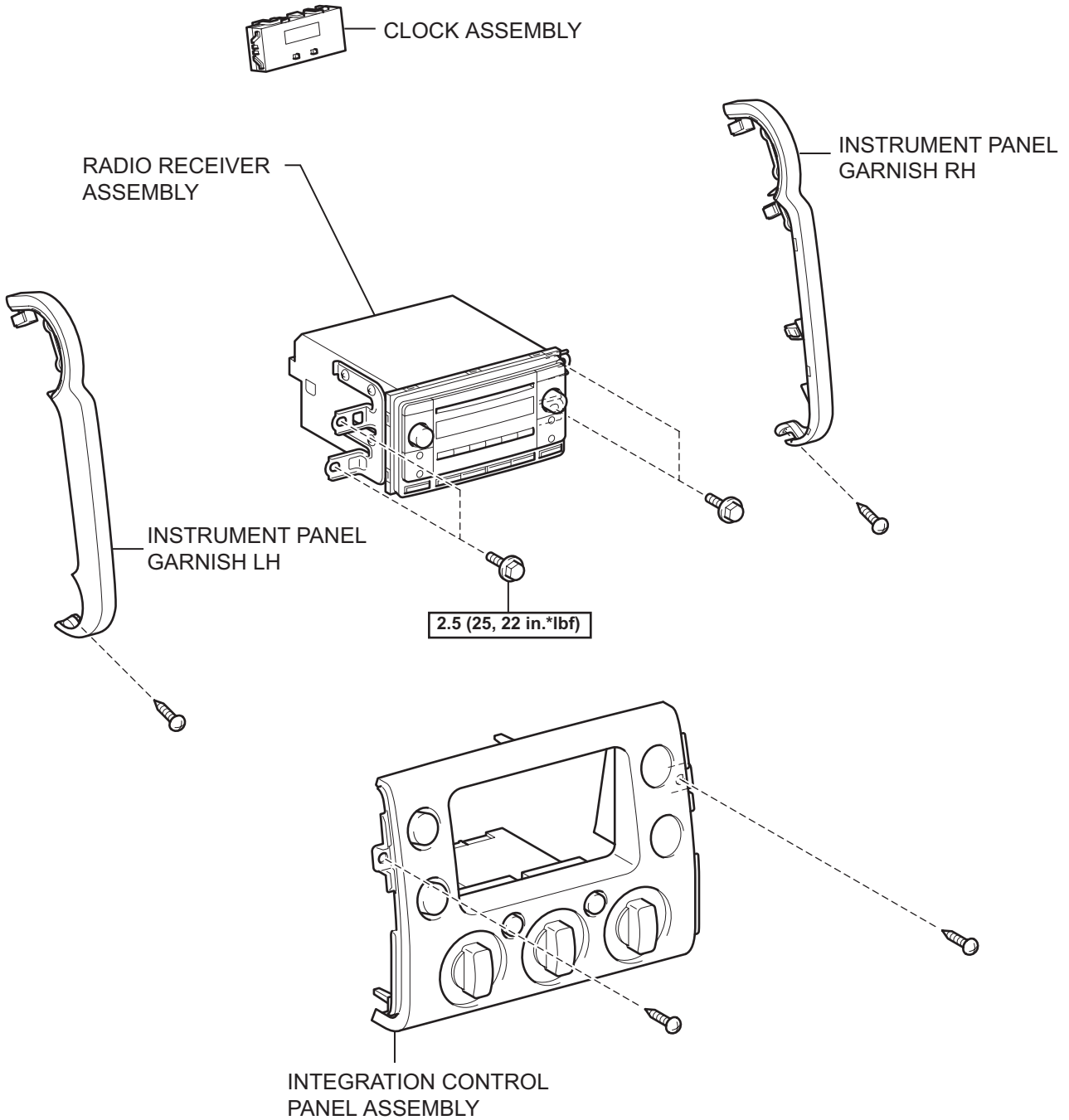


CLOCK COMPONENTS

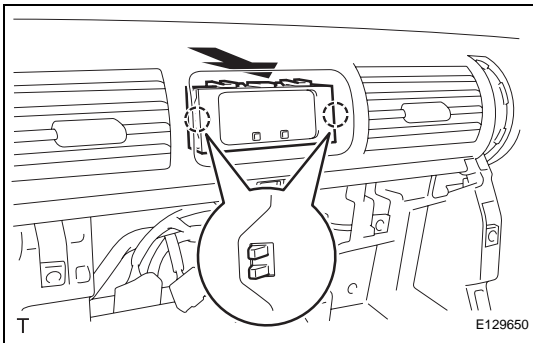
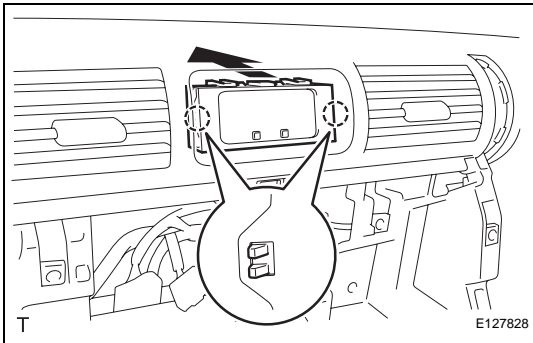


N*m (kgf*cm, ft*lbf) : Specified torque

REMOVAL

1. DISCONNECT CABLE FROM NEGATIVE BATTERY TERMINAL
2. REMOVE INSTRUMENT PANEL GARNISH LH (See page [IP-10](#))
3. REMOVE INSTRUMENT PANEL GARNISH RH (See page [IP-10](#))
4. REMOVE INTEGRATION CONTROL PANEL ASSEMBLY (See page [IP-11](#))
5. REMOVE RADIO RECEIVER ASSEMBLY (See page [AV-55](#))
6. REMOVE CLOCK ASSEMBLY
 - (a) Disengage the 2 claws and remove the clock assembly.

HINT:
Pull the clock assembly out in the direction shown in the illustration to remove it.



INSTALLATION

1. INSTALL CLOCK ASSEMBLY
 - (a) Engage the 2 claws and install the clock assembly.

HINT:
Push the clock assembly in the direction shown in the illustration, to install it.
2. INSTALL RADIO RECEIVER ASSEMBLY (See page [AV-56](#))
3. INSTALL INTEGRATION CONTROL PANEL ASSEMBLY (See page [IP-32](#))
4. INSTALL INSTRUMENT PANEL GARNISH RH (See page [IP-33](#))
5. INSTALL INSTRUMENT PANEL GARNISH LH (See page [IP-33](#))
6. CONNECT CABLE TO NEGATIVE BATTERY TERMINAL
Torque: 3.9 N*m (40 kgf*cm, 35 in.*lbf)