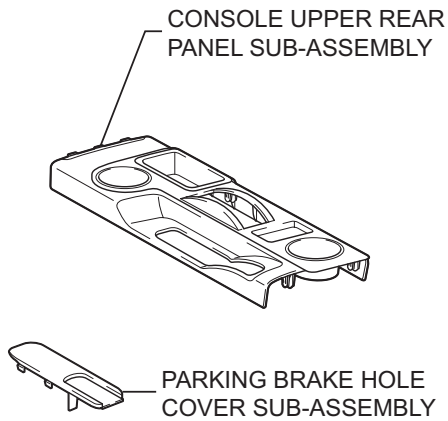


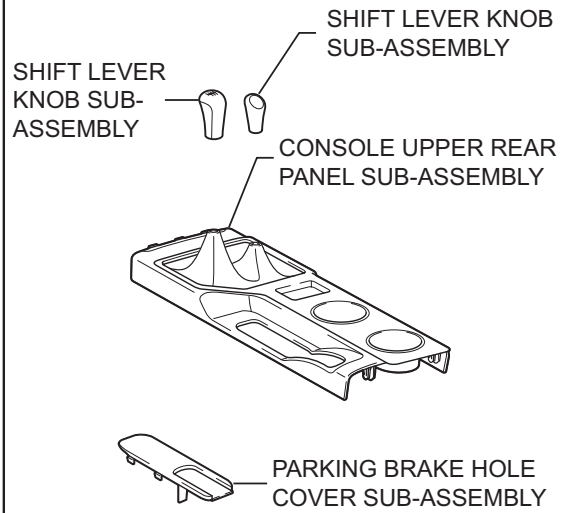
INVERTER MAIN SWITCH

COMPONENTS

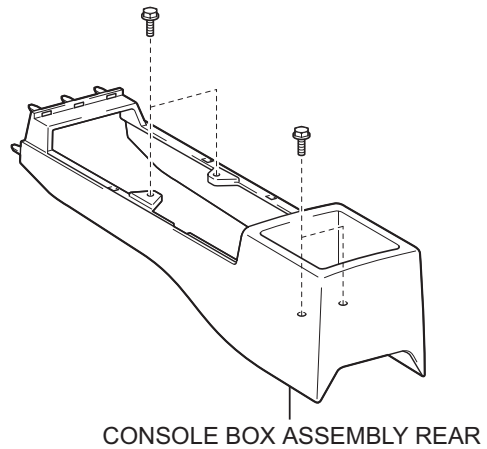
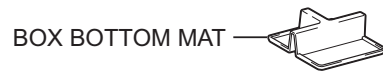
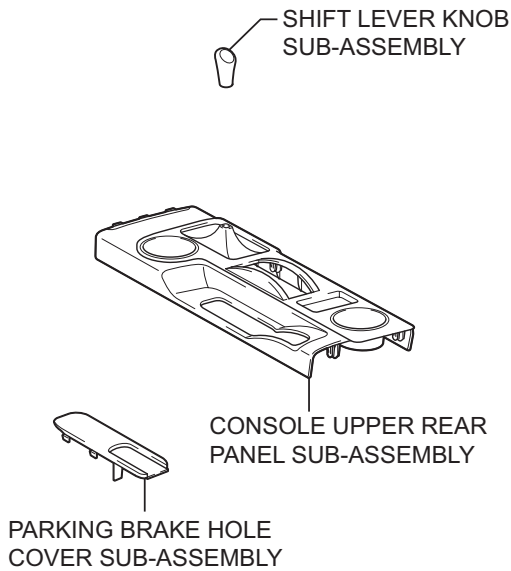
for Automatic Transmission 2WD:



for Manual Transmission 4WD:

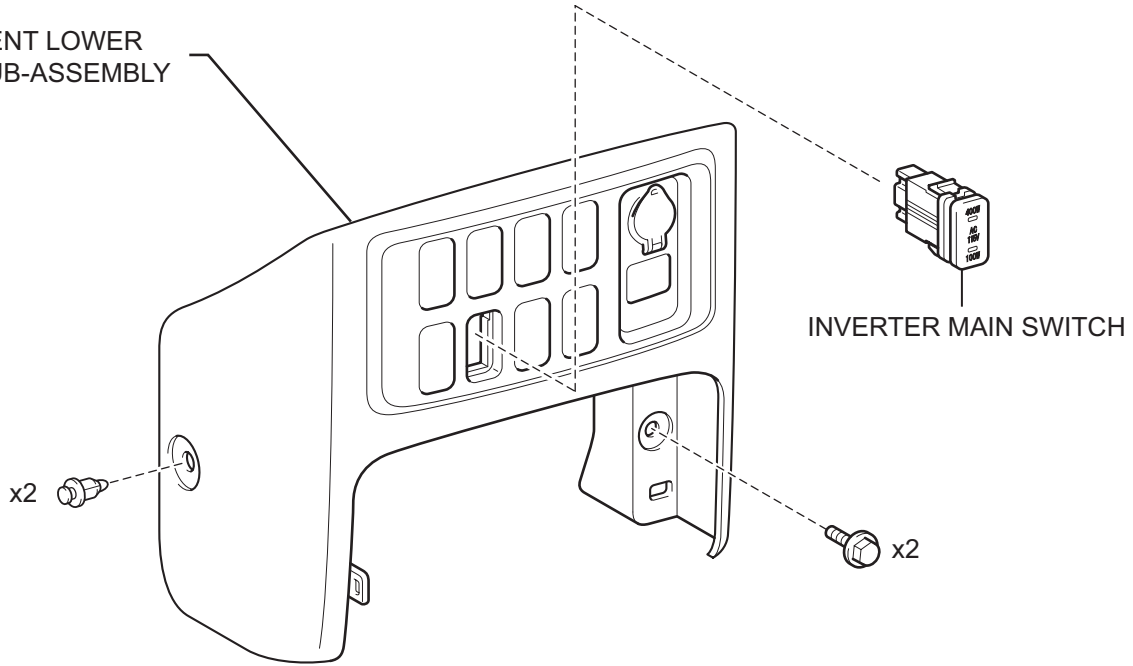


for Automatic Transmission 4WD:



OT

INSTRUMENT LOWER
COVER SUB-ASSEMBLY



OT

