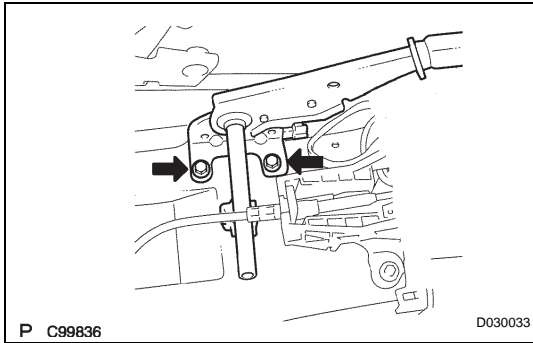


## INSTALLATION

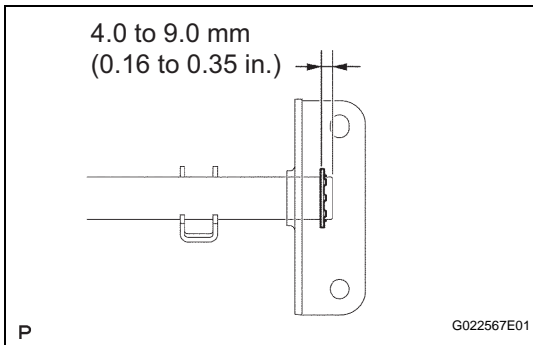
### 1. INSTALL PARKING BRAKE SWITCH

- (a) Install the parking brake switch with the screw.

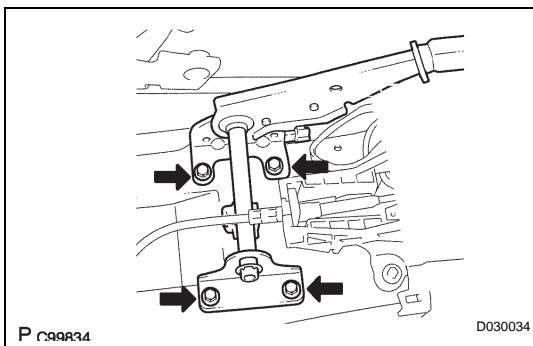


### 2. INSTALL PARKING BRAKE LEVER

- (a) Install the parking brake lever and provisionally tighten the 2 bolts.



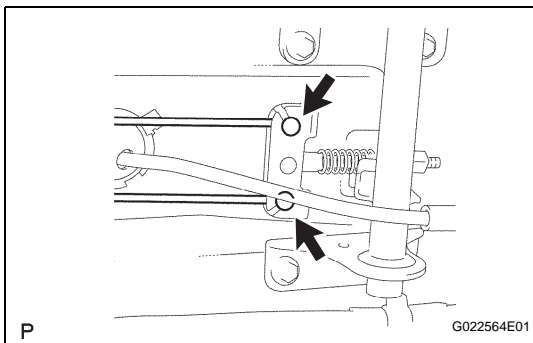
- (b) Install the center support and washer onto the parking brake lever.



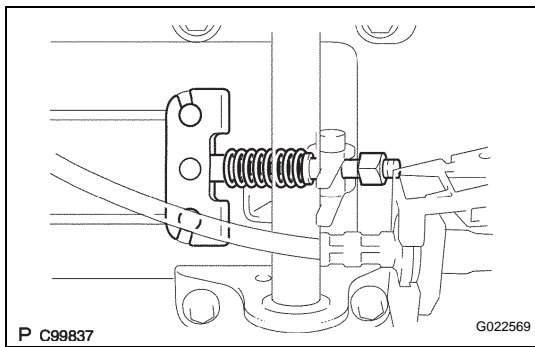
- (c) Install the parking brake lever with the 4 bolts.

**Torque: 13 N\*m (127 kgf\*cm, 9 ft.\*lbf)**

- (d) Install the straight pin into the parking brake lever.



- (e) Connect parking brake cables No. 2 and No. 3 to the parking brake pull rod.



PB

- (f) Install the set spring, bush and parking brake pull rod with the adjusting nut.
- (g) Connect the parking brake switch connector.

3. **INSPECT PARKING BRAKE LEVER TRAVEL** (See page [PB-4](#))
4. **ADJUST PARKING BRAKE LEVER TRAVEL** (See page [PB-4](#))
5. **INSTALL FRONT CONSOLE BOX** (See page [IP-30](#))
6. **INSTALL BOX BOTTOM MAT** (See page [IP-31](#))
7. **INSTALL CONSOLE UPPER REAR PANEL SUB-ASSEMBLY** (See page [IP-31](#))
8. **INSTALL SHIFT LEVER KNOB SUB-ASSEMBLY** (for 4WD) (See page [IP-32](#))
9. **INSTALL SHIFT LEVER KNOB SUB-ASSEMBLY** (for Manual Transmission) (See page [IP-32](#))
10. **INSTALL PARKING BRAKE HOLE COVER SUB-ASSEMBLY** (See page [IP-32](#))
11. **CONNECT CABLE TO NEGATIVE BATTERY TERMINAL**  
Torque: 3.9 N\*m (40 kgf\*cm, 35 in.\*lbf)