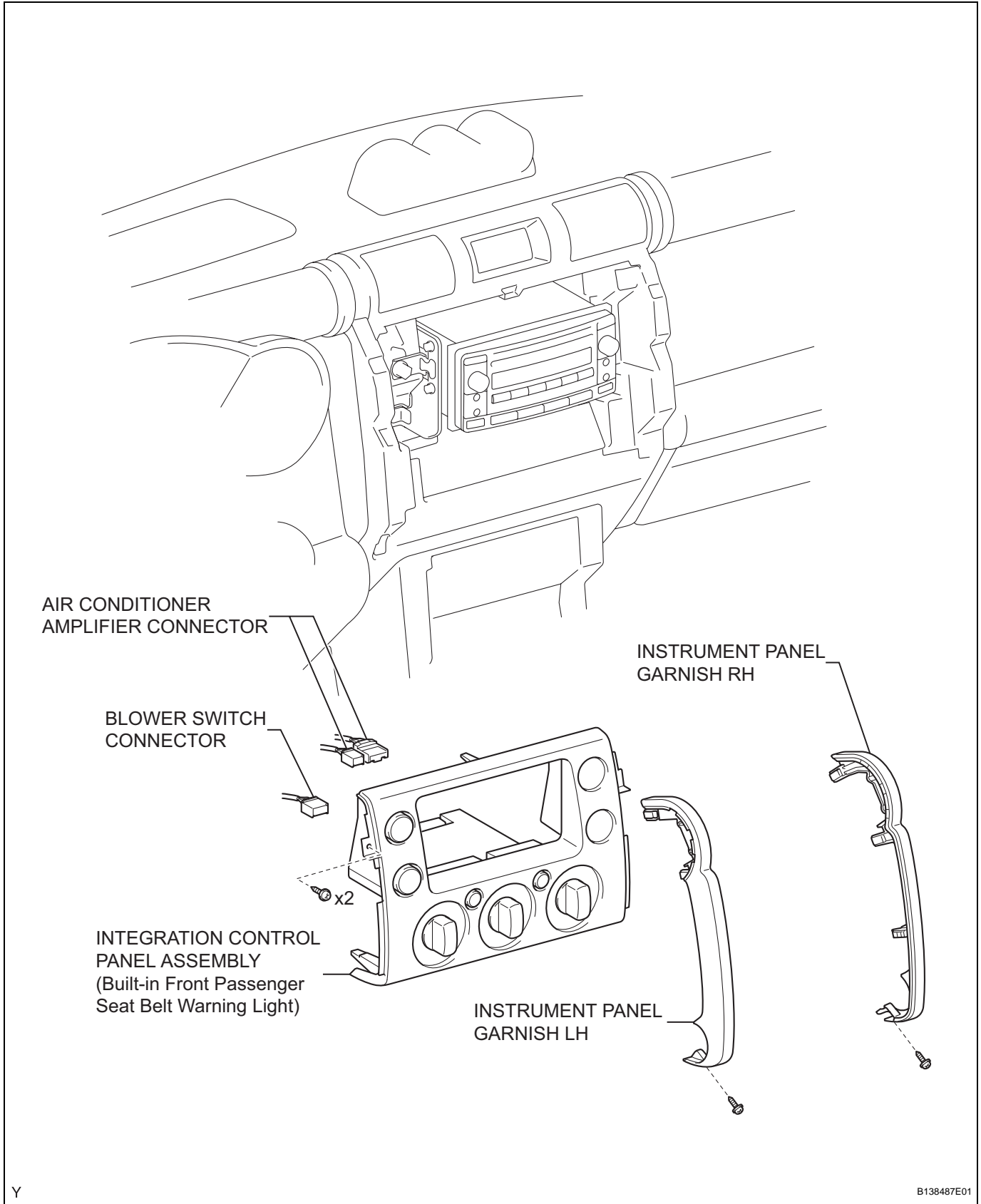


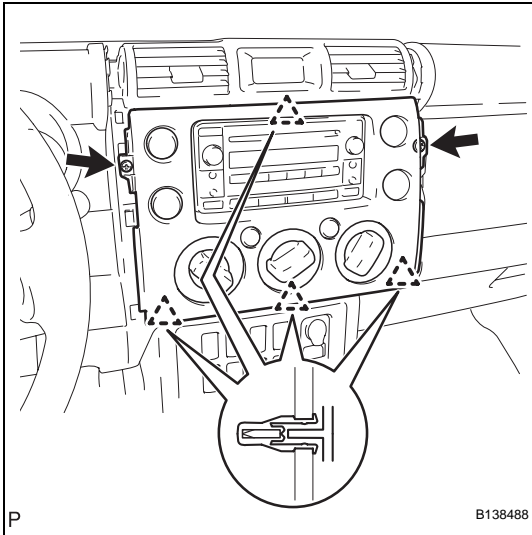
FRONT PASSENGER SEAT BELT WARNING LIGHT COMPONENTS



SB

REMOVAL

1. DISCONNECT CABLE FROM NEGATIVE BATTERY TERMINAL
2. REMOVE INSTRUMENT PANEL GARNISH RH (See page IP-10)
3. REMOVE INSTRUMENT PANEL GARNISH LH (See page IP-10)
4. REMOVE INTEGRATION CONTROL PANEL ASSEMBLY (Built-in Front Passenger Seat Belt Warning Light)
 - (a) Remove the 2 screws.
 - (b) Disengage the 4 clips and remove the front passenger seat belt warning light.
 - (c) Disconnect the 2 air conditioner amplifier connectors and the blower switch connector.



SB

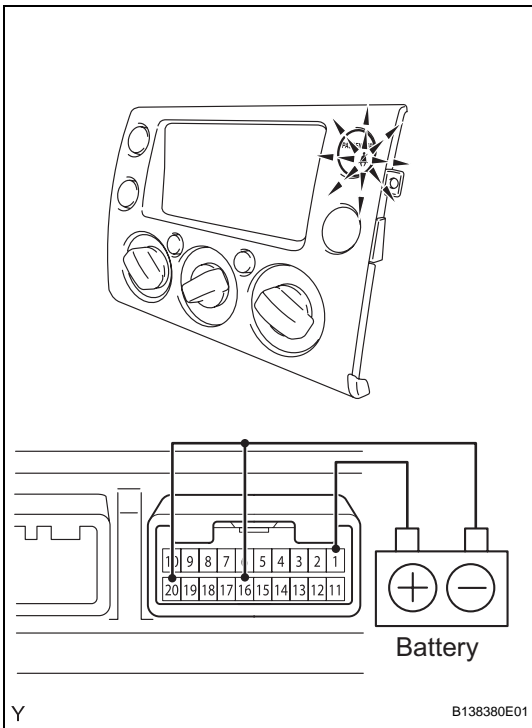
INSPECTION

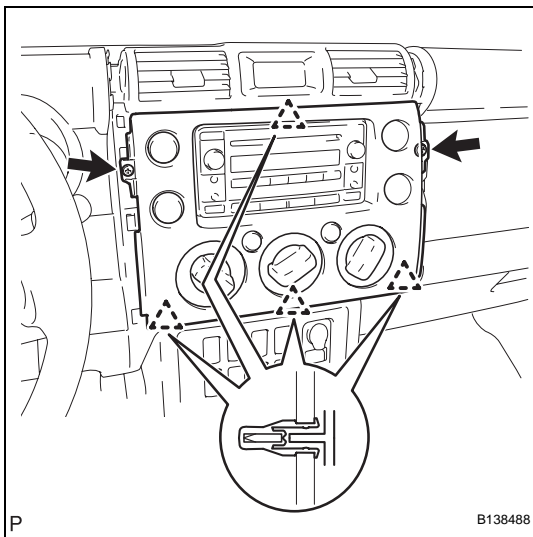
1. INSPECT INTEGRATION CONTROL PANEL ASSEMBLY (Built-in Front Passenger Seat Belt Warning Light)
 - (a) Check the operation.
 - (1) Apply battery voltage to the terminals and check that the indicator illuminates.

Standard

Condition	Standard
Positive battery - Terminal 1 (IG+) Negative battery - Terminal 16 (PBEW) and 20 (GND)	Illuminates

If the result is not as specified, replace the integration control panel..





INSTALLATION

- 1. INSTALL INTEGRATION CONTROL PANEL ASSEMBLY (Built-in Front Passenger Seat Belt Warning Light)**
 - (a) Connect the blower switch connector and the 2 air conditioner amplifier connectors.
 - (b) Engage the 4 clips and install the front passenger seat belt warning light.
 - (c) Tighten the 2 screws.
- 2. INSTALL INSTRUMENT PANEL GARNISH RH (See page [IP-33](#))**
- 3. INSTALL INSTRUMENT PANEL GARNISH LH (See page [IP-33](#))**
- 4. CONNECT CABLE TO NEGATIVE BATTERY TERMINAL**
Torque: 3.9 N*m (40 kgf*cm, 35 in.*lbf)