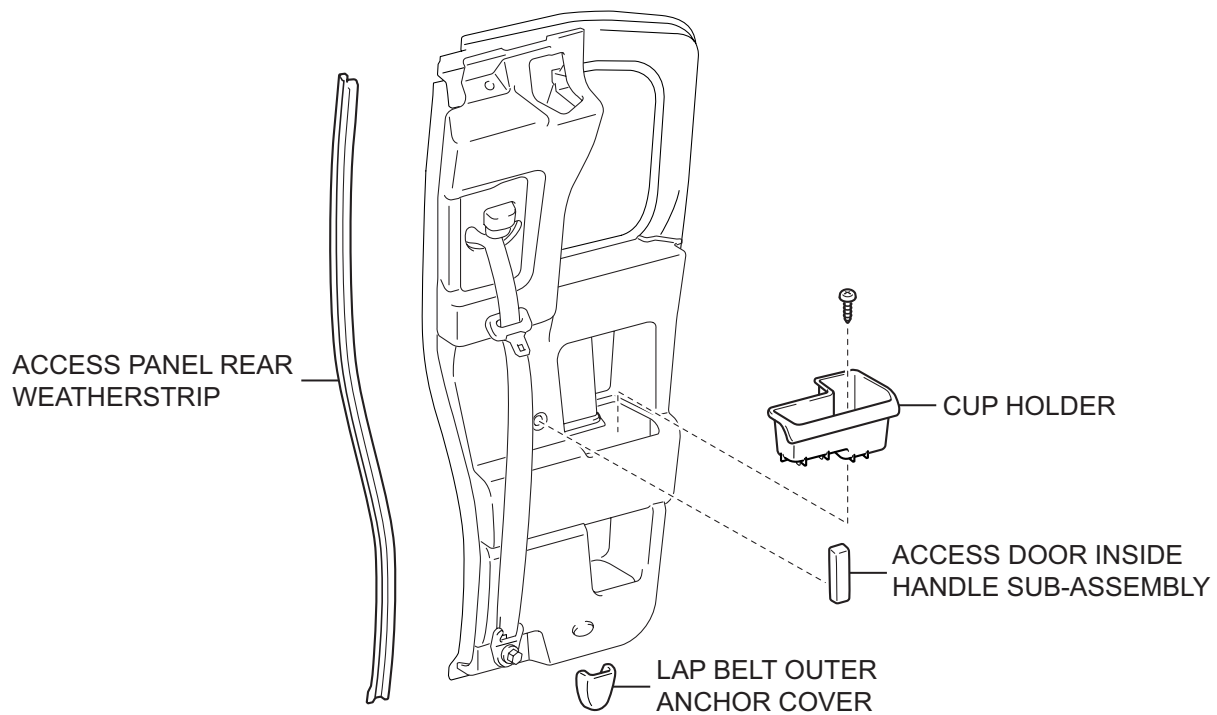
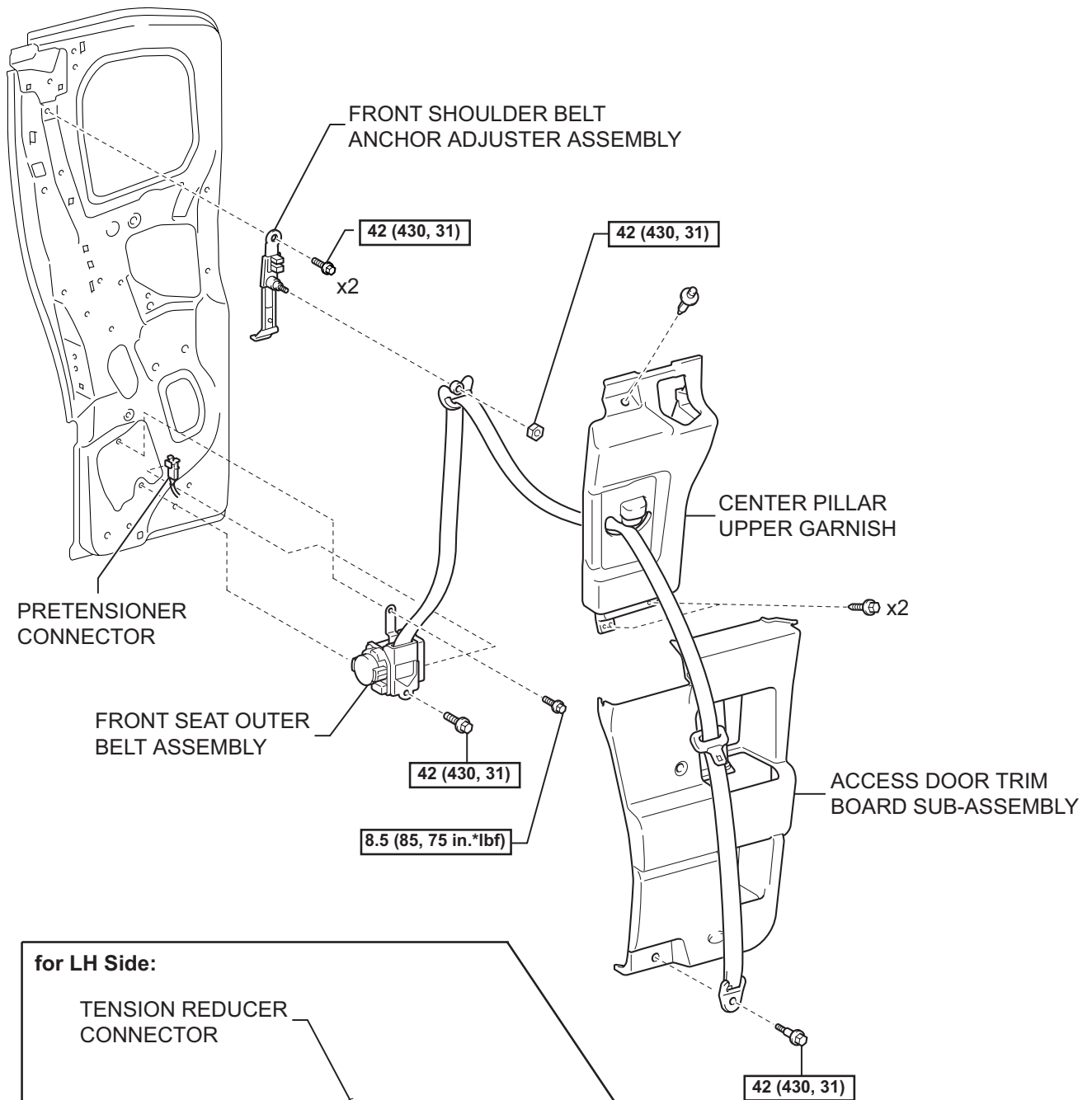


FRONT SEAT OUTER BELT ASSEMBLY

COMPONENTS



SB



for LH Side:

TENSION REDUCER CONNECTOR

8.5 (85, 75 in.*lbf)

42 (430, 31)

FRONT SEAT OUTER BELT ASSEMBLY

PRETENSIONER CONNECTOR

N*m (kgf*cm, ft.*lbf) : Specified torque