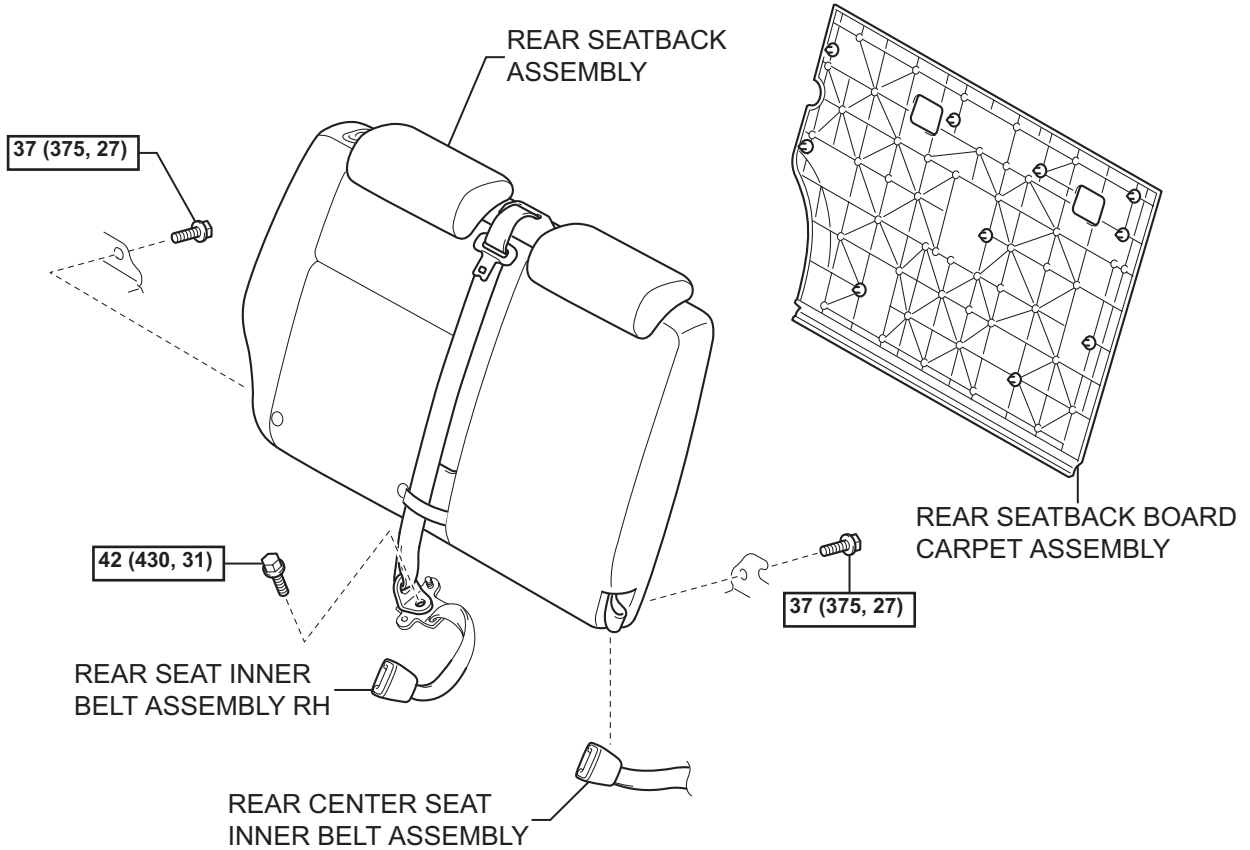


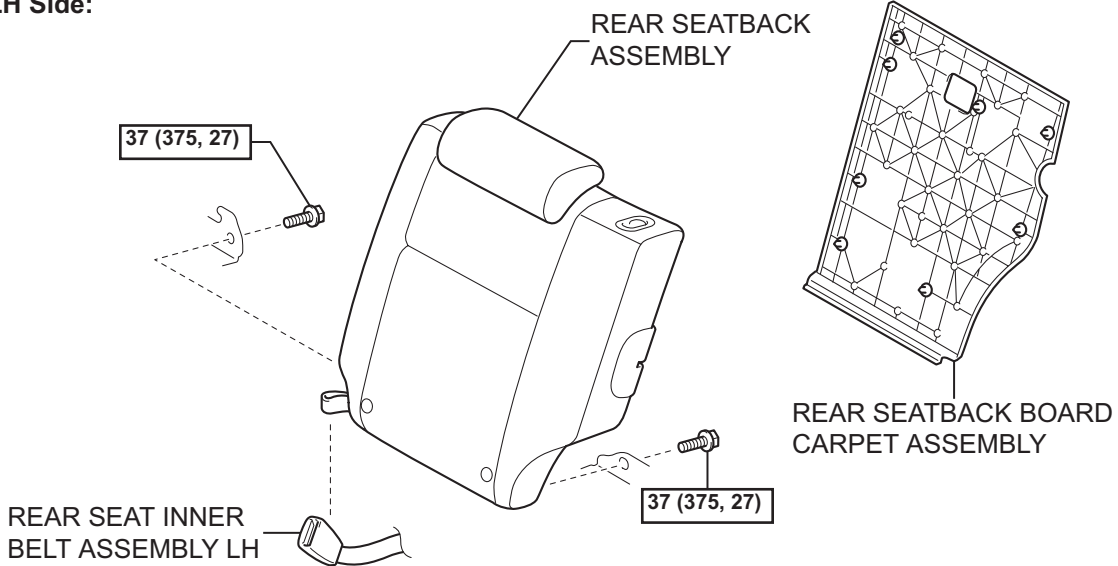
REAR SEAT OUTER BELT ASSEMBLY

COMPONENTS

for RH Side:

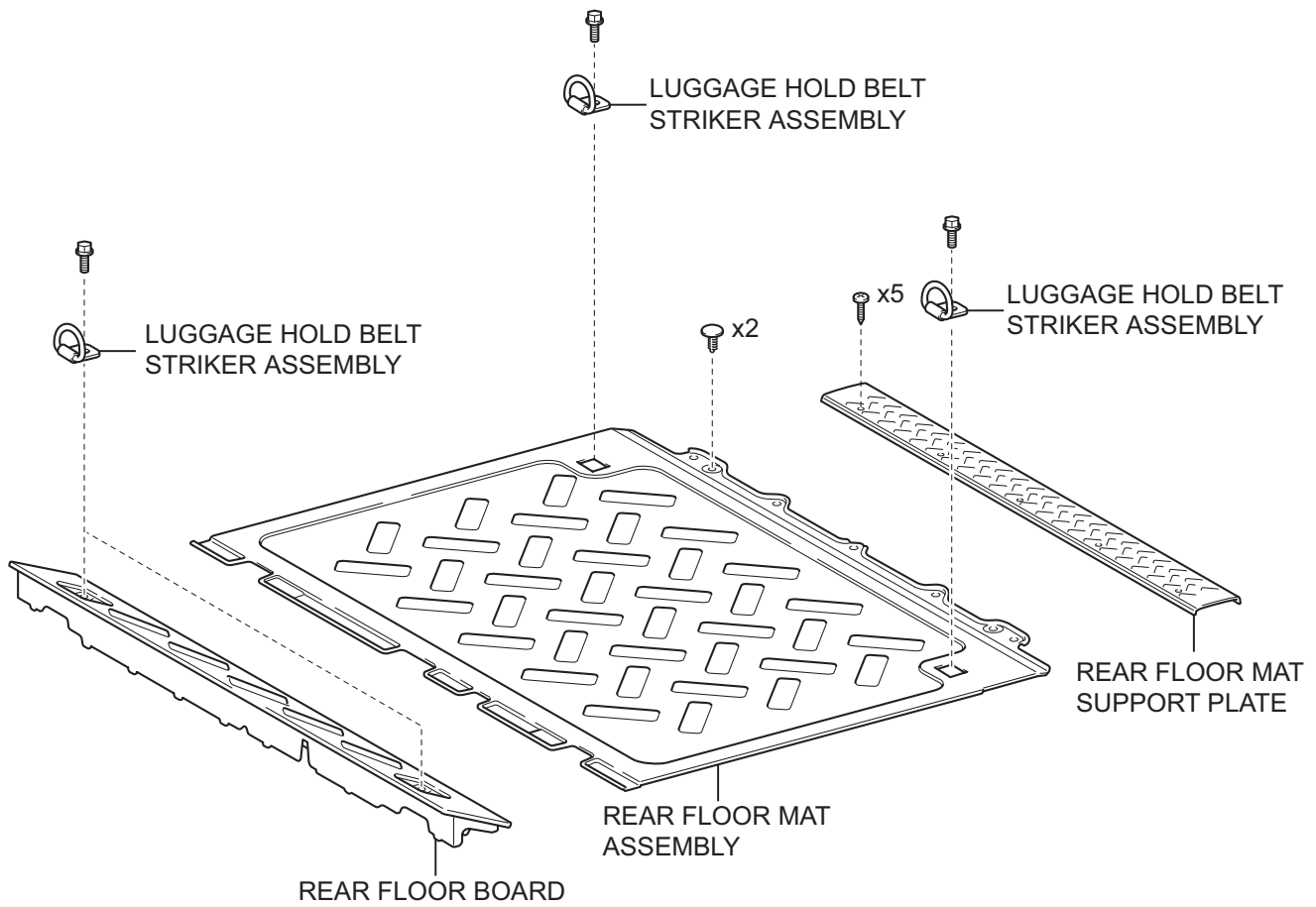


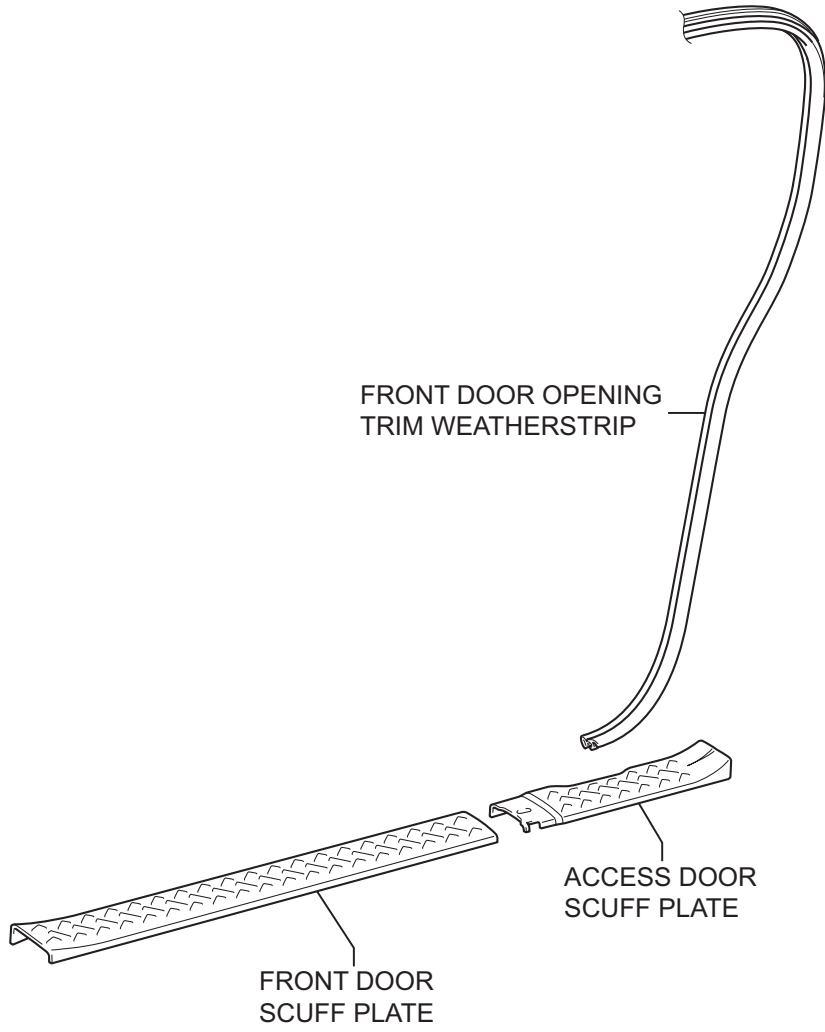
for LH Side:



N*m (kgf*cm, ft*lbf) : Specified torque

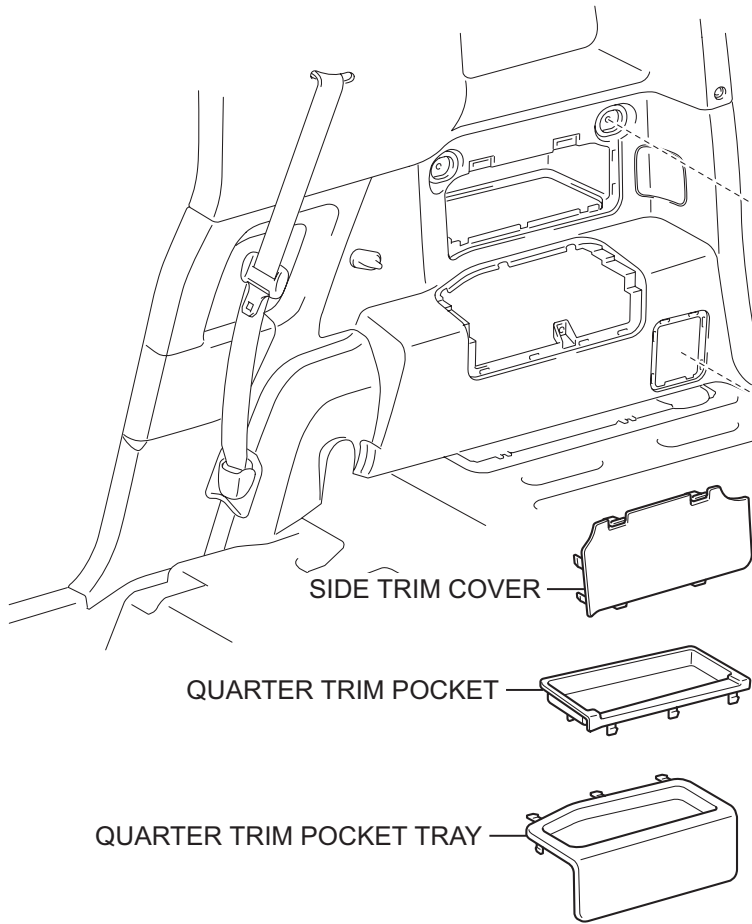
SB



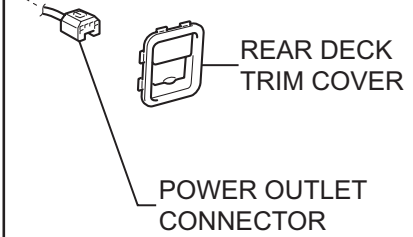


SB

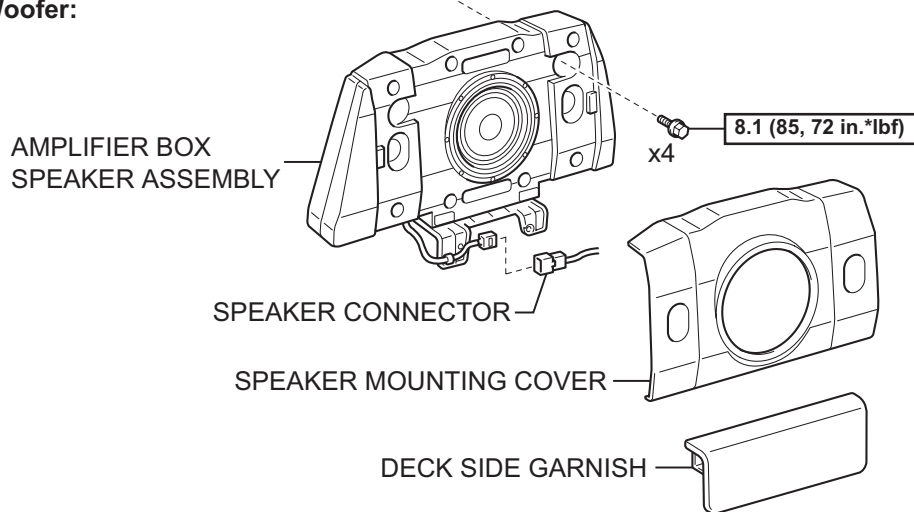
for RH Side:



w/ Power Outlet Socket:

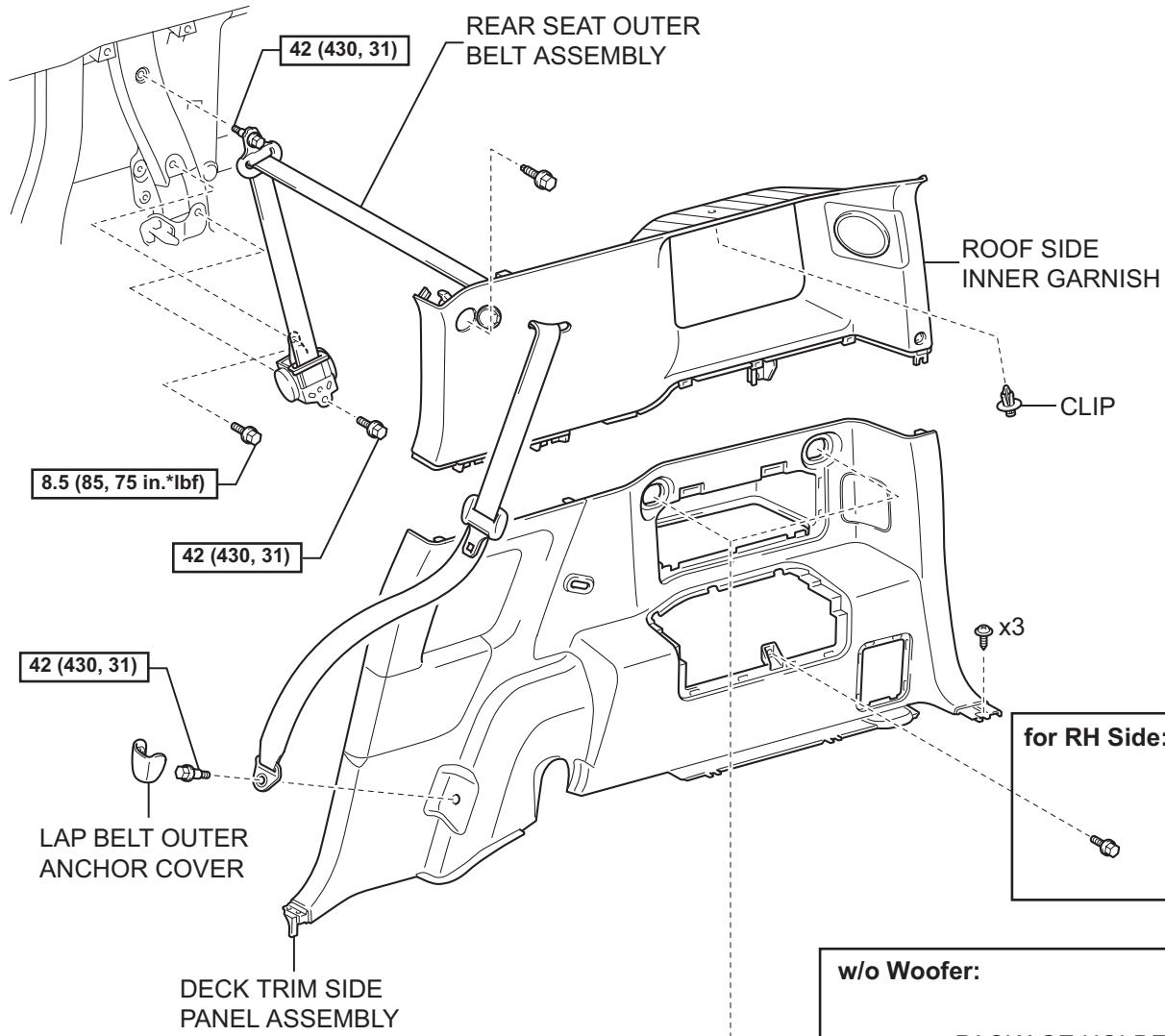


w/ Woofer:



N*m (kgf*cm, ft*lbf) : Specified torque

SB



SB

N*m (kgf*cm, ft.*lbf) : Specified torque