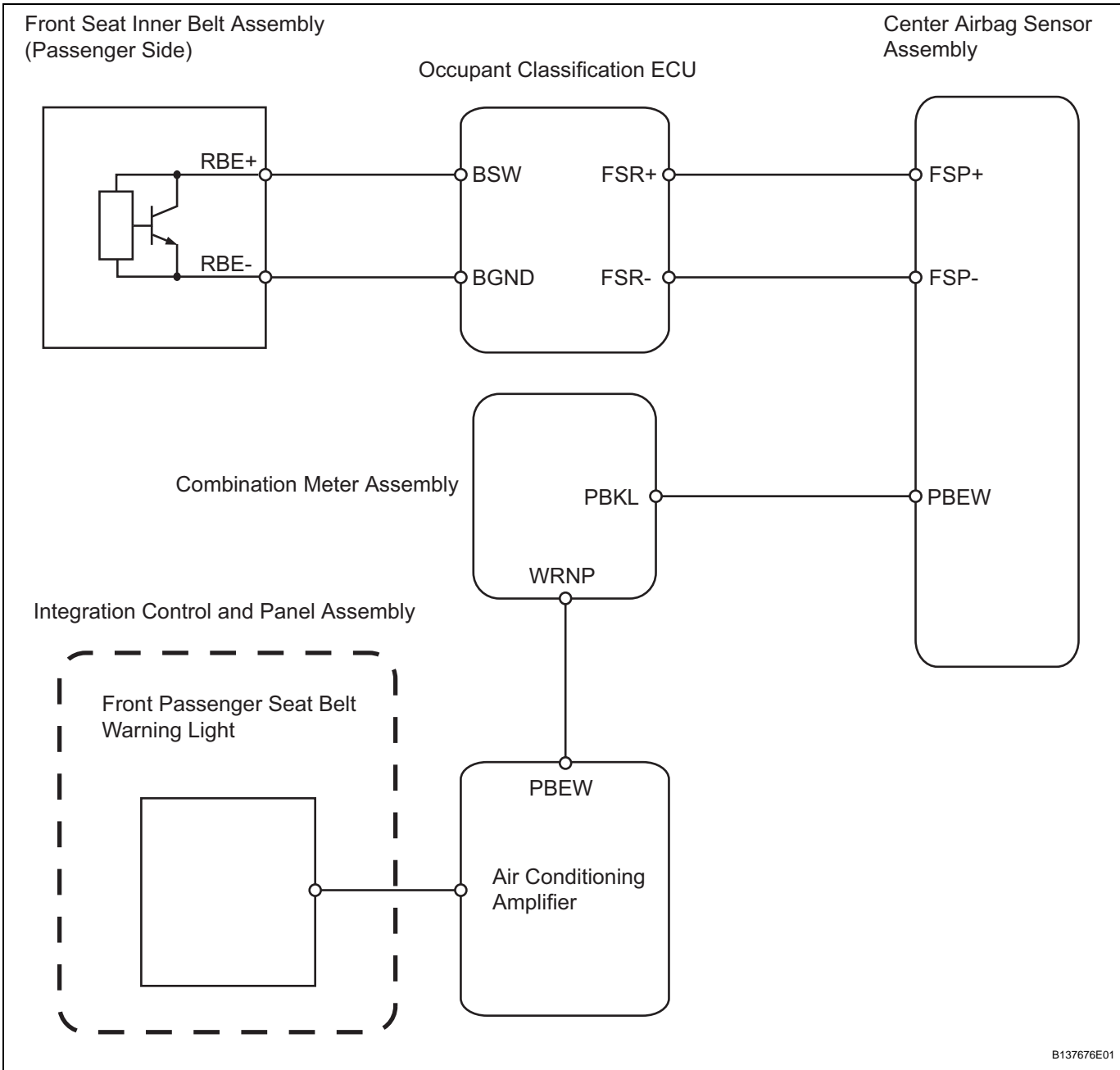


# Front Passenger Side Seat Belt Warning Light Malfunction

## DESCRIPTION

When the ignition switch is ON and the front passenger seat is occupied, the occupant classification ECU communicates the status of the front seat inner belt assembly (passenger side) to the center airbag sensor assembly. The combination meter assembly receives signals from the center airbag sensor assembly and transmits them to the integration control and panel assembly. When the seat belt is unfastened, the combination meter assembly flashes the front passenger seat belt warning light on the integration control and panel assembly. When the seat belt is fastened, the combination meter assembly stops flashing the front passenger seat belt warning light on the integration control and panel assembly.

## WIRING DIAGRAM



SB

## INSPECTION PROCEDURE

**1 CHECK SUPPLEMENTAL RESTRAINT SYSTEM**

- (a) Connect the intelligent tester with the CAN VIM to the DLC3.
- (b) Turn the ignition switch ON and turn the tester ON.
- (c) Enter the following menus: DIAGNOSIS / SRS AIRBAG / DTC INFO

**Result**

Result	Proceed to
No DTCs are output	A
DTCs are output	B

**B****GO TO SUPPLEMENTAL RESTRAINT SYSTEM****A****SB****2 CHECK OCCUPANT CLASSIFICATION SYSTEM**

- (a) Connect the intelligent tester with the CAN VIM to the DLC3.
- (b) Turn the ignition switch ON and turn the tester ON.
- (c) Enter the following menus: DIAGNOSIS / OCCUPANT DETECT / DTC INFO

**Result**

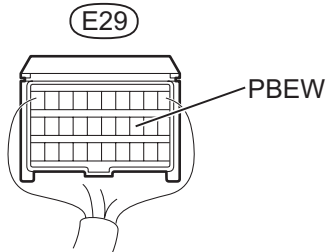
Result	Proceed to
No DTCs are output	A
DTCs are output	B

**B****GO TO OCCUPANT CLASSIFICATION SYSTEM****A**

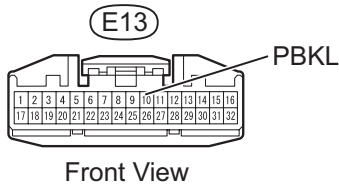
**3 CHECK HARNESS AND CONNECTOR (CENTER AIRBAG SENSOR ASSEMBLY - COMBINATION METER ASSEMBLY)**

**Wire Harness Side:**

Center Airbag Sensor Assembly Connector



Combination Meter Assembly Connector



Front View

B137690E01

- (a) Disconnect the E29 center airbag sensor assembly connector.
- (b) Disconnect the E13 combination meter assembly connector.
- (c) Measure the resistance.

**Standard resistance**

Tester Connection	Specified Condition
E29-13 (PBEW) - E13-10 (PBKL)	Below 1 Ω
E29-13 (PBEW) or E13-10 (PBKL) - Body ground	10 kΩ or higher

- (d) Reconnect the center airbag sensor assembly connector.
- (e) Reconnect the combination meter assembly connector.

**NG**

**REPAIR OR REPLACE HARNESS OR CONNECTOR**

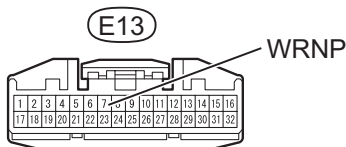
**SB**

**OK**

**4 CHECK HARNESS AND CONNECTOR (COMBINATION METER ASSEMBLY - AIR CONDITIONING AMPLIFIER)**

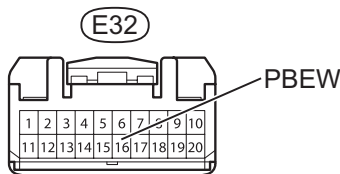
**Wire Harness Side:**

Combination Meter Assembly Connector



Front View

Air Conditioning Amplifier Connector



Front View

B137691E01

- (a) Disconnect the E13 combination meter assembly connector.
- (b) Disconnect the E32 air conditioning amplifier connector.
- (c) Measure the resistance.

**Standard resistance**

Tester Connection	Specified Condition
E13-7 (WRNP) - E32-16 (PBEW)	Below 1 Ω
E13-7 (WRNP) or E32-16 (PBEW) - Body ground	10 kΩ or higher

- (d) Reconnect the combination meter assembly connector.
- (e) Reconnect the air conditioning amplifier connector.

**NG**

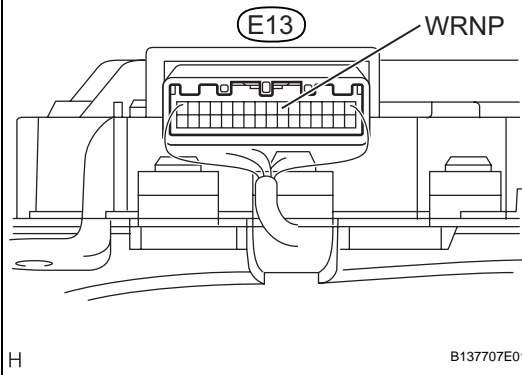
**REPAIR OR REPLACE HARNESS OR CONNECTOR**

OK

**5 INSPECT COMBINATION METER ASSEMBLY**

Wire Harness Side:

Combination Meter Assembly Connector

(a) Measure the voltage.  
**Standard voltage**

Tester Connection	Condition	Specified Condition
E13-7 (WRNP) - Body ground	Ignition switch ON Front passenger seat occupied	Alternating between 11 to 14 V and below 3 V

NG

**REPLACE COMBINATION METER ASSEMBLY**

OK

**REPLACE INTEGRATION CONTROL AND PANEL ASSEMBLY**

SB