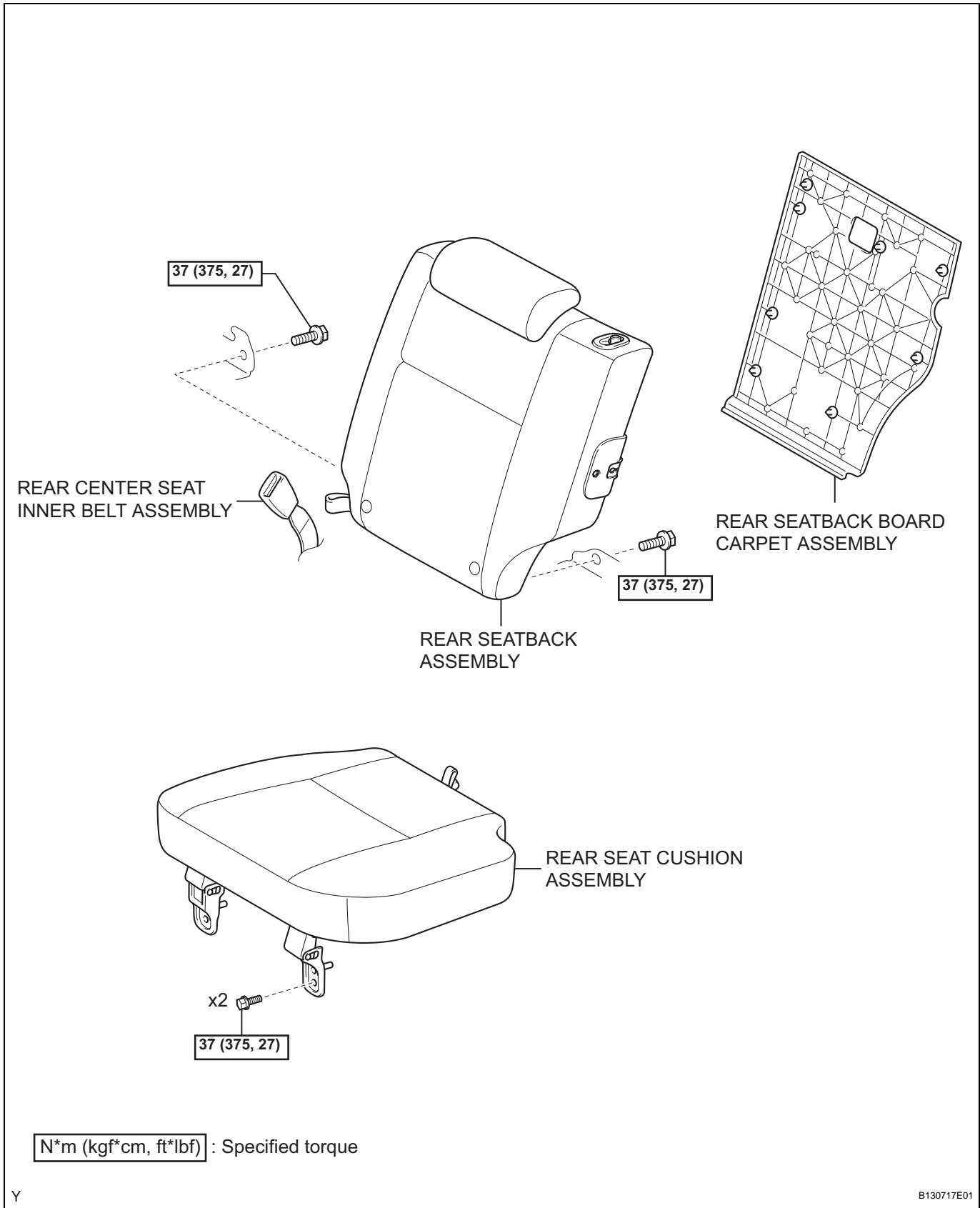
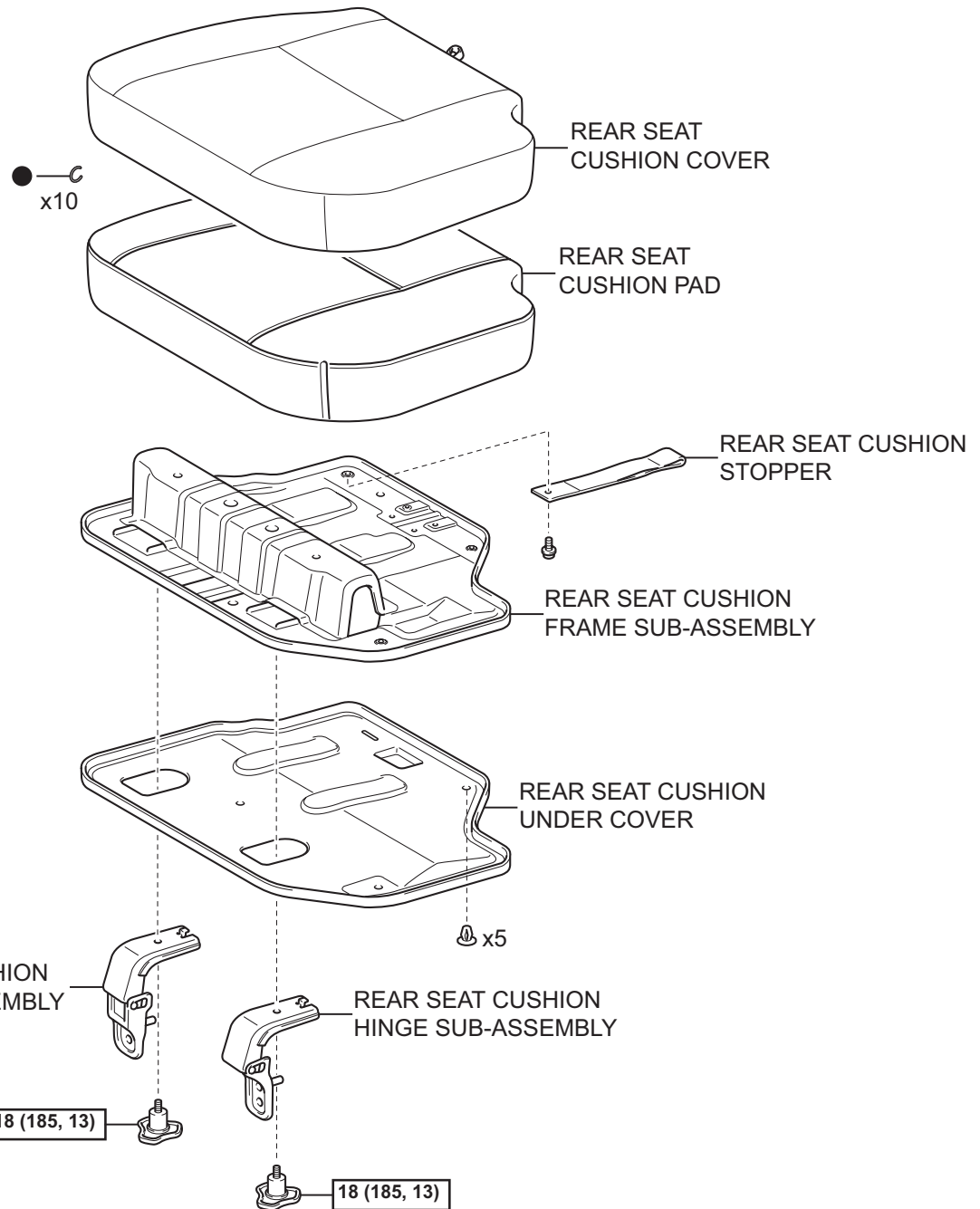


REAR SEAT ASSEMBLY (for LH Side)

COMPONENTS



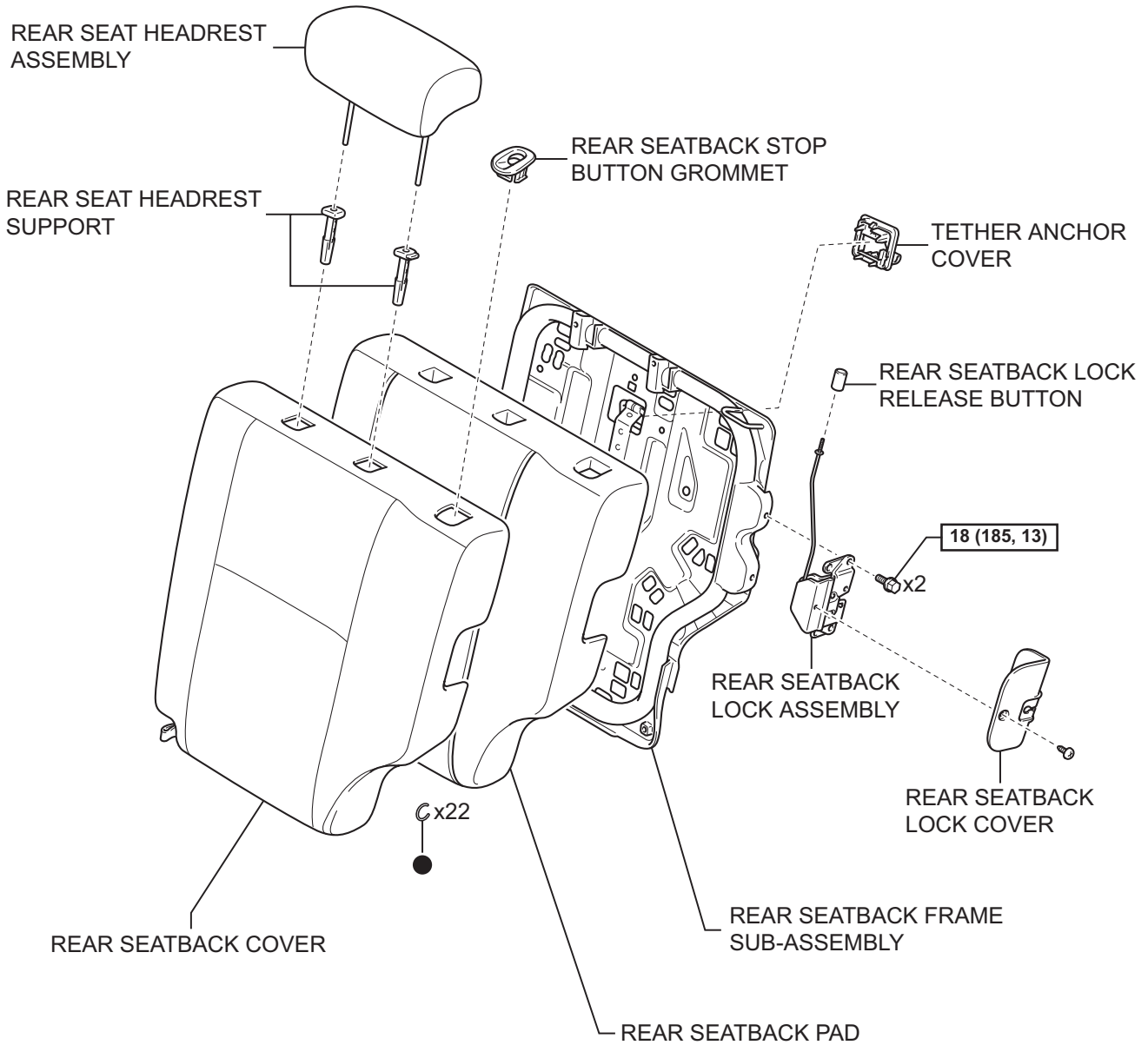
SE



N*m (kgf*cm, ft*lbf) : Specified torque

● Non-reusable part

SE



N*m (kgf*cm, ft*lbf) : Specified torque

● Non-reusable part

SE