

REASSEMBLY

CAUTION:

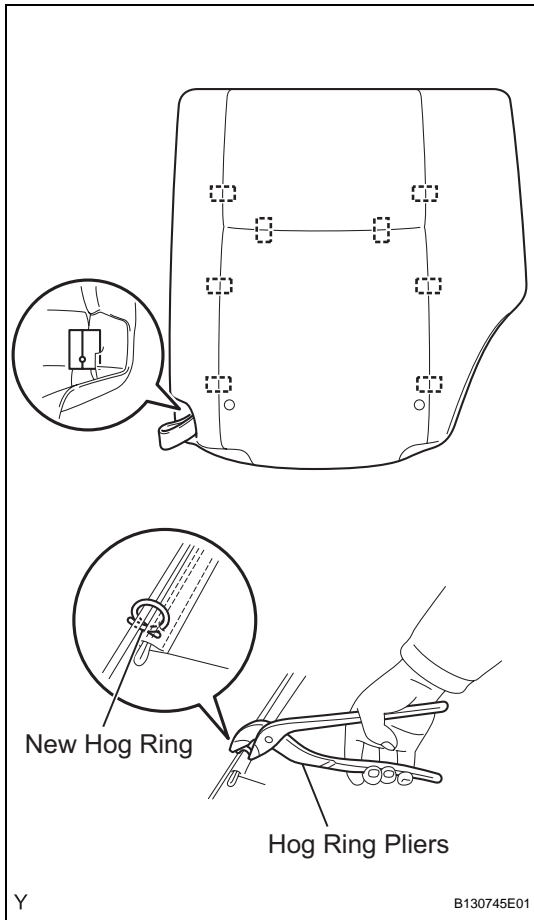
Wear protective gloves. Sharp surfaces on the rear seat cushion frame and the rear seatback frame could cause injuries to your hands.

1. INSTALL REAR SEATBACK COVER

- (a) Using hog ring pliers, install the rear seatback cover with 8 new hog rings.

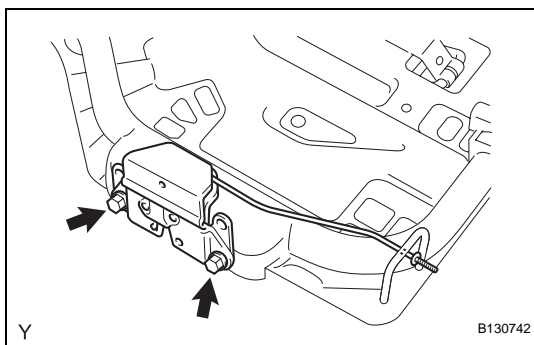
NOTICE:

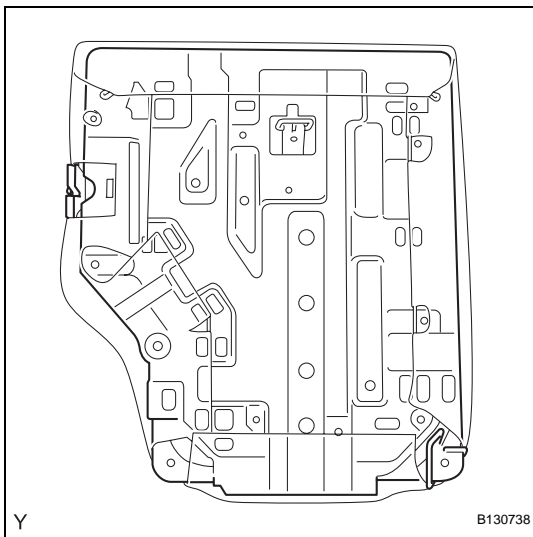
- Do not soil or scratch the rear seatback cover.
 - When installing the hog rings, minimize wrinkles as far as possible.
- (b) Pass the hook of the rear seatback cover through the slit in the rear seatback pad.



2. INSTALL REAR SEATBACK LOCK ASSEMBLY

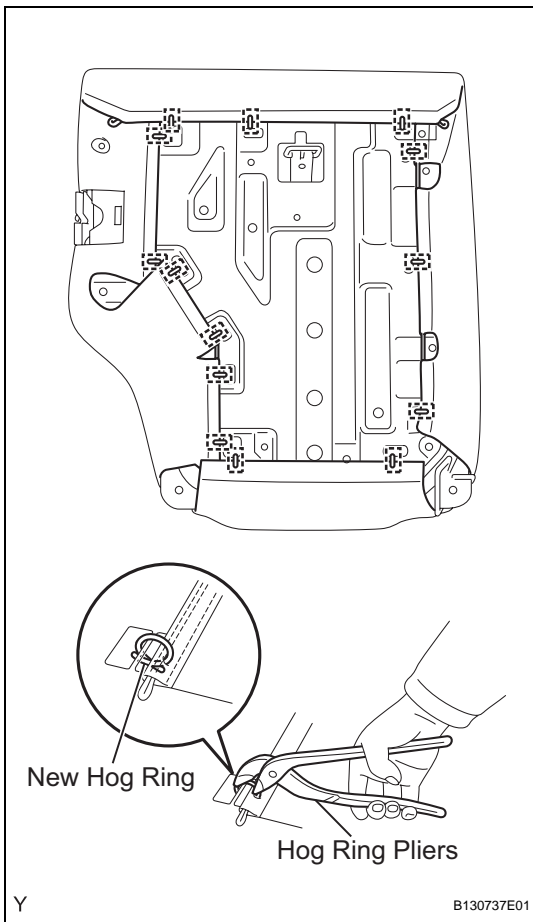
- (a) Install the rear seatback lock with the 2 bolts.
Torque: 18 N*m (185 kgf*cm, 13 ft.*lbf)



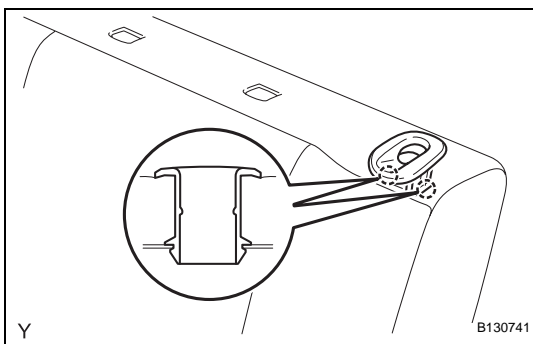


3. INSTALL REAR SEATBACK FRAME SUB-ASSEMBLY

(a) Install the rear seatback frame.

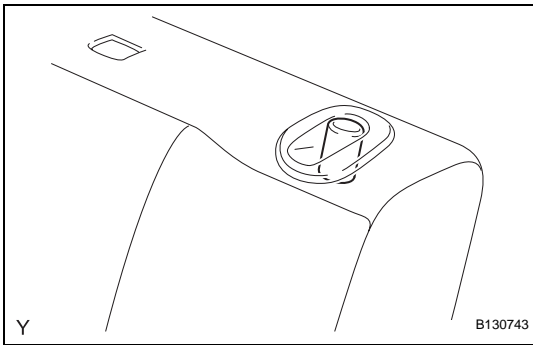


(b) Using hog ring pliers, install 14 new hog rings.



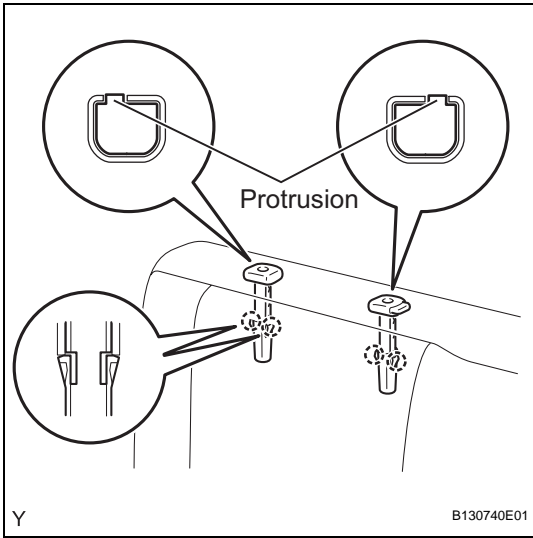
4. INSTALL REAR SEATBACK STOP BUTTON GROMMET

(a) Engage the 2 claws and install the rear seatback stop button grommet.



5. INSTALL REAR SEATBACK LOCK RELEASE BUTTON

- (a) Install the rear seatback lock release button.

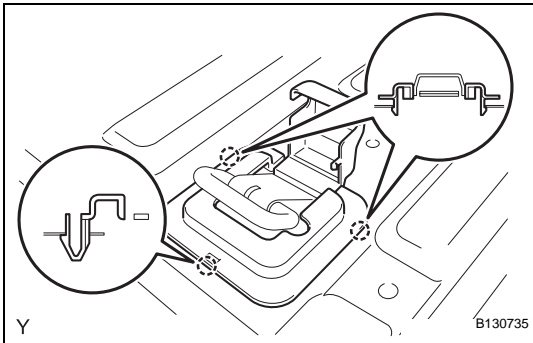


6. INSTALL REAR SEAT HEADREST SUPPORT

HINT:

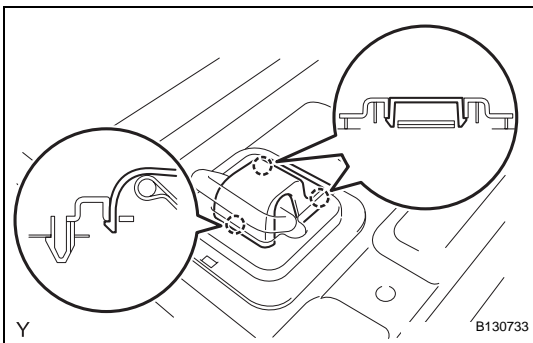
Use the same procedure for both sides.

- (a) Align the protruding portion of the rear seat headrest support with the installation groove of the rear seatback frame.
- (b) Engage the 2 claws and install the rear seat headrest support.

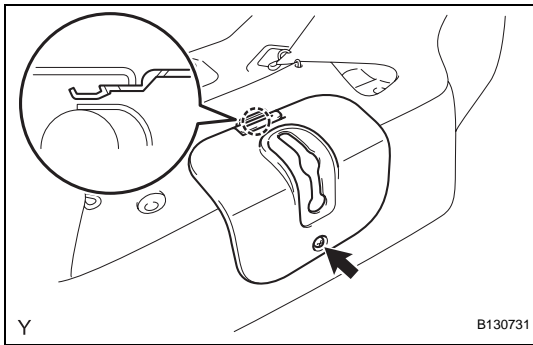


7. INSTALL TETHER ANCHOR COVER

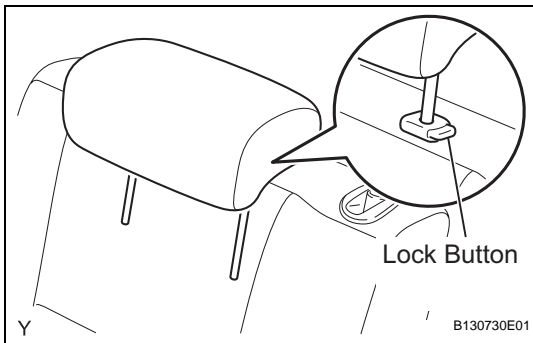
- (a) Engage the 3 claws and install the tether anchor cover.



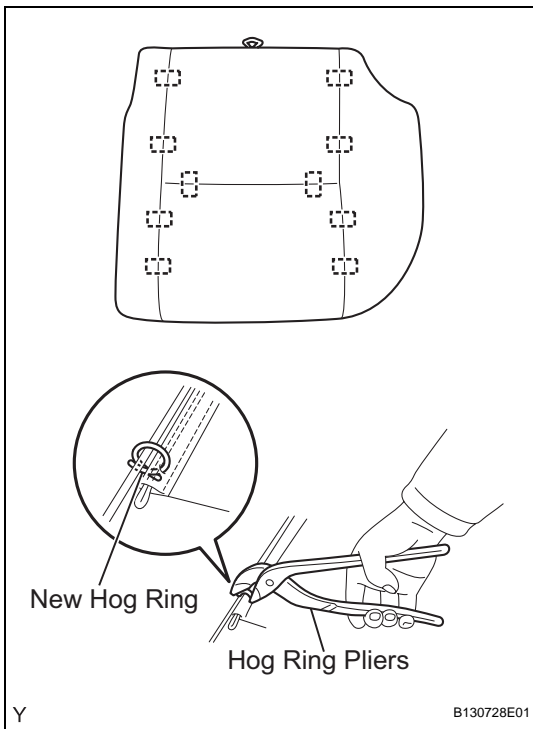
- (b) Engage the 2 claws and close the cover.

**8. INSTALL REAR SEATBACK LOCK COVER**

- (a) Engage the claw and install the rear seatback lock cover.
- (b) Tighten the screw.

**9. INSTALL REAR SEAT HEADREST ASSEMBLY**

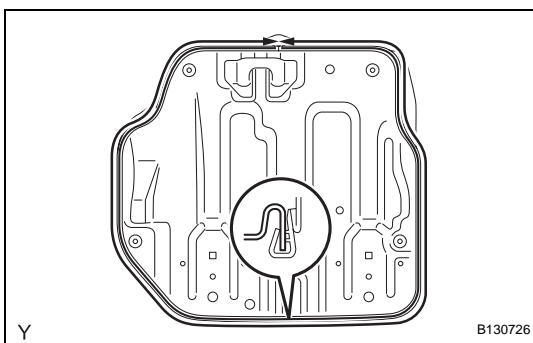
- (a) Push the lock button of the rear seat headrest support and install the rear seat headrest.

**10. INSTALL REAR SEAT CUSHION COVER**

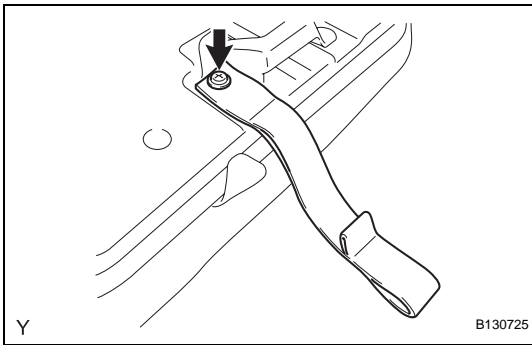
- (a) Using hog ring pliers, install the rear seat cushion cover with 10 new hog rings.

NOTICE:

- Do not soil or scratch the rear seat cushion cover.
- When installing the hog rings, minimize wrinkles as far as possible.

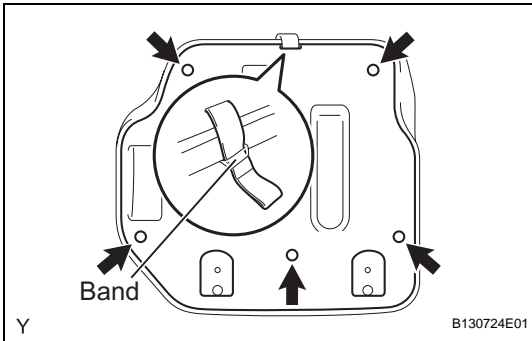
**11. INSTALL REAR SEAT CUSHION FRAME SUB-ASSEMBLY**

- (a) Engage the hook and install the rear seat cushion frame.



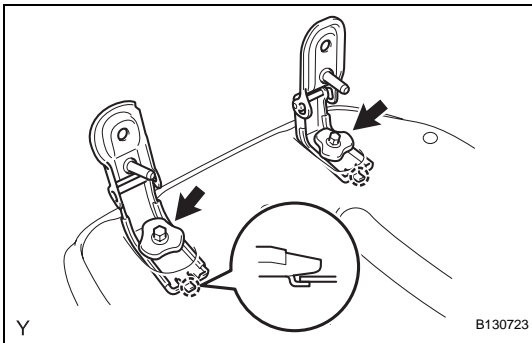
12. INSTALL REAR SEAT CUSHION STOPPER

- (a) Install the rear seat cushion stopper with the screw.



13. INSTALL REAR SEAT CUSHION UNDER COVER

- (a) Insert the rear seat cushion stopper into the slit of the rear seat cushion under cover.
 (b) Install the rear seat cushion under cover with the 5 clips.
 (c) Install the rear seat cushion stopper into the rear seat cushion cover band.



14. INSTALL REAR SEAT CUSHION HINGE SUB-ASSEMBLY

HINT:

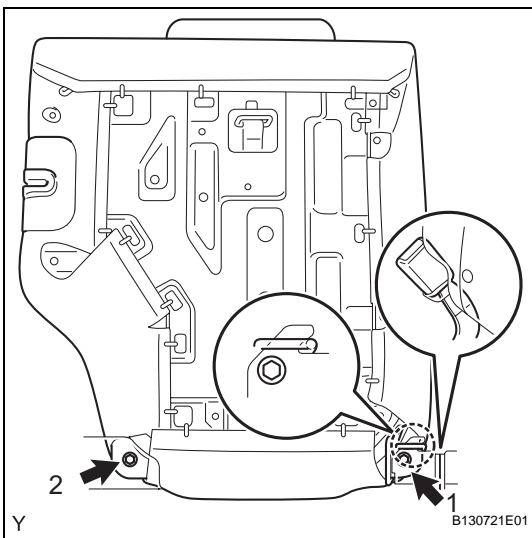
Use the same procedure for both sides.

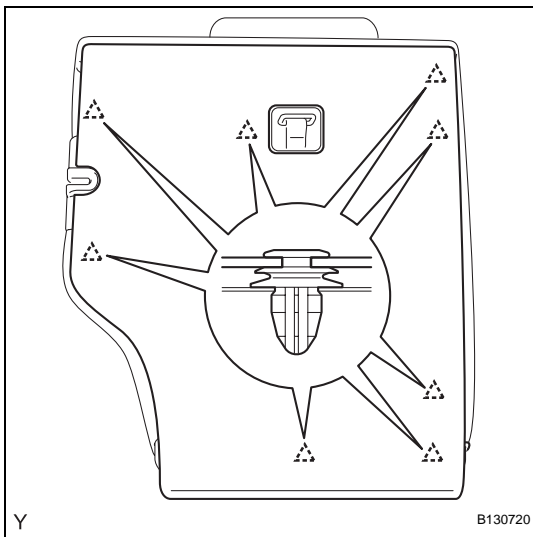
- (a) Engage the hook and install the rear seat cushion hinge.
 (b) Install the rear seat cushion hinge with the bolt.
Torque: 18 N*m (185 kgf*cm, 13 ft.*lbf)

INSTALLATION

1. INSTALL REAR SEATBACK ASSEMBLY

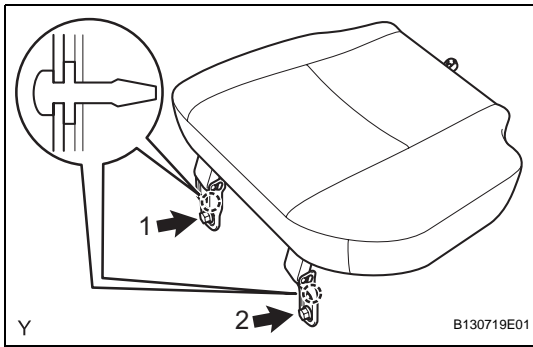
- (a) Engage the hook and temporarily install the rear seatback with the 2 bolts.
 (b) Tighten the 2 bolts in the sequence shown in the illustration.
Torque: 37 N*m (375 kgf*cm, 27 ft.*lbf)
 (c) Install the rear center seat inner belt into the rear seatback holder.





2. INSTALL REAR SEATBACK BOARD CARPET ASSEMBLY

- (a) Engage the 8 clips and install the rear seatback board carpet.
- (b) Pull up the rear seatback.



3. INSTALL REAR SEAT CUSHION ASSEMBLY

- (a) Insert the 2 locating pins into the body hole.
- (b) Temporarily install the rear seat cushion with the 2 bolts.
- (c) Tighten the 2 bolts in the sequence shown in the illustration.

Torque: 37 N*m (375 kgf*cm, 27 ft.*lbf)