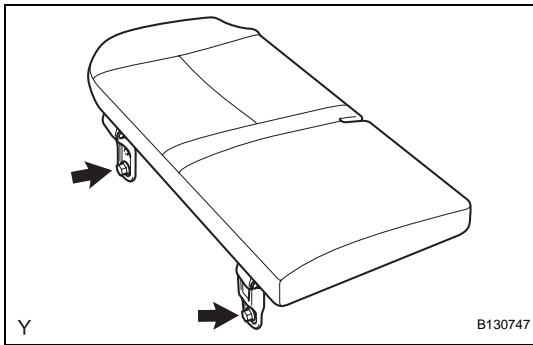
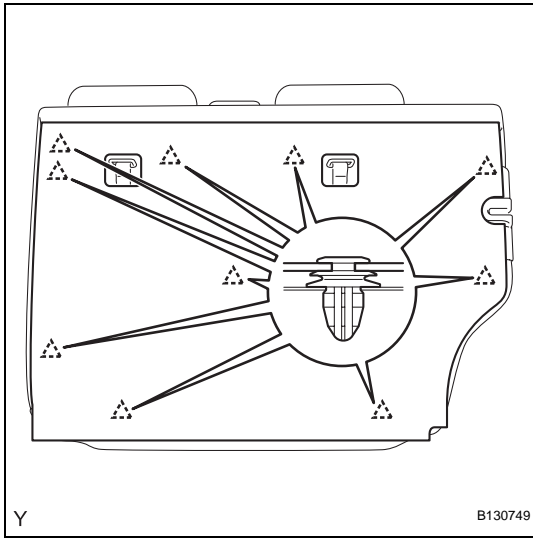


**REMOVAL****1. REMOVE REAR SEAT CUSHION ASSEMBLY**

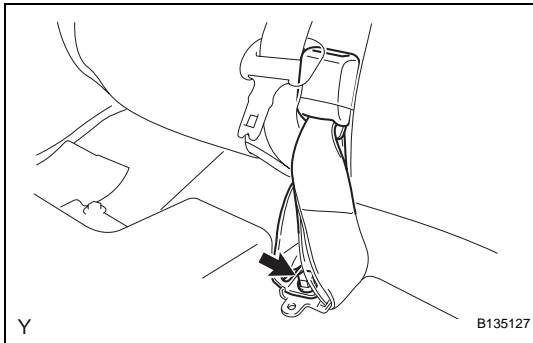
- (a) Remove the 2 bolts and the rear seat cushion.

**2. REMOVE REAR SEATBACK BOARD CARPET ASSEMBLY**

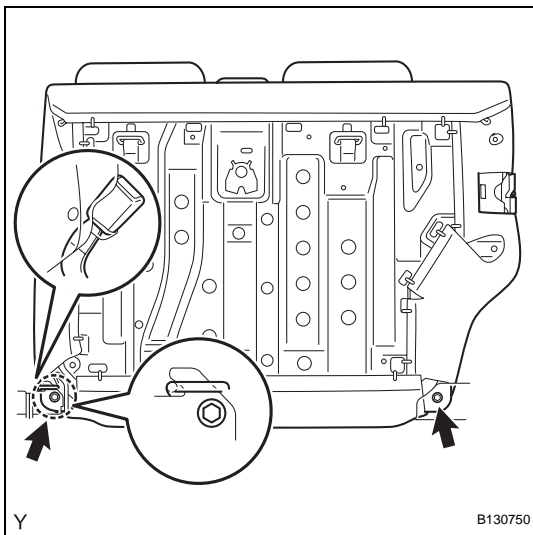
- (a) Pull the rear seatback lock release button and tilt the rear seatback forward.  
 (b) Disengage the 10 clips and remove the rear seatback board carpet.

**3. REMOVE REAR SEATBACK ASSEMBLY**

- (a) Pull up the rear seatback.  
 (b) Remove the bolt and the anchor plate of the rear center seat outer belt.



- (c) Remove the rear seat inner belt from the rear seatback holder.  
 (d) Pull the rear seatback lock release button and tilt the rear seatback forward.  
 (e) Remove the 2 bolts.  
 (f) Disengage the hook and remove the rear seatback.



## DISASSEMBLY

### CAUTION:

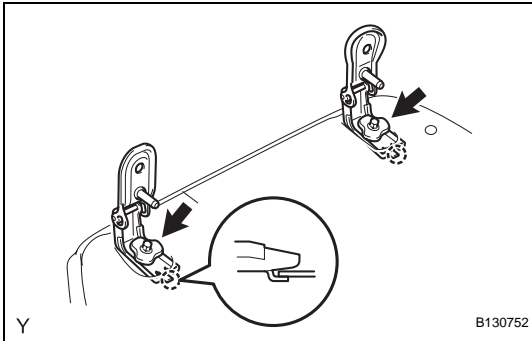
Wear protective gloves. Sharp surfaces on the rear seat cushion frame and the rear seatback frame could cause injuries to your hands.

#### 1. REMOVE REAR SEAT CUSHION HINGE SUB-ASSEMBLY

##### HINT:

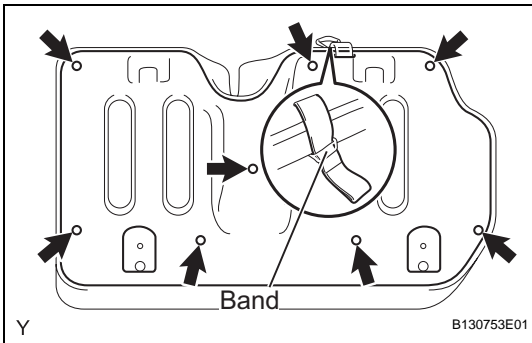
Use the same procedure for both sides.

- (a) Remove the bolt.
- (b) Disengage the hook and remove the rear seat cushion hinge.



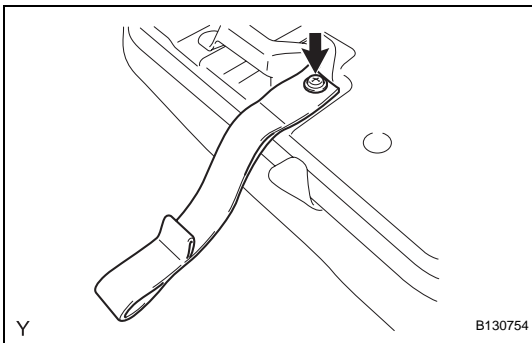
#### 2. REMOVE REAR SEAT CUSHION UNDER COVER

- (a) Remove the rear seat cushion stopper from the rear seat cushion cover band and the slit of the rear seat cushion under cover.
- (b) Using a clip remover, remove the 7 clips and the rear seat cushion under cover.



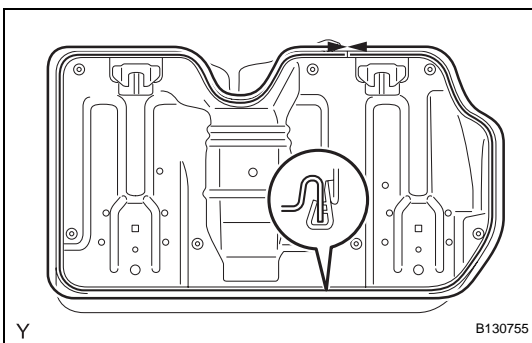
#### 3. REMOVE REAR SEAT CUSHION STOPPER

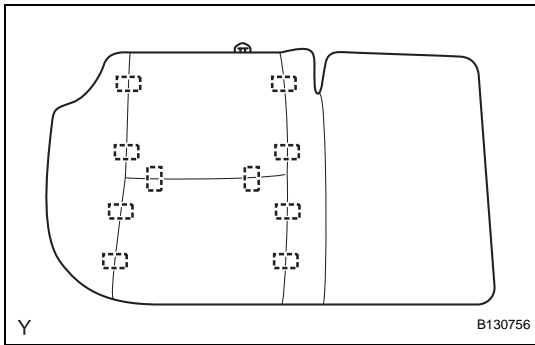
- (a) Remove the screw and the rear seat cushion stopper.



#### 4. REMOVE REAR SEAT CUSHION FRAME SUB-ASSEMBLY

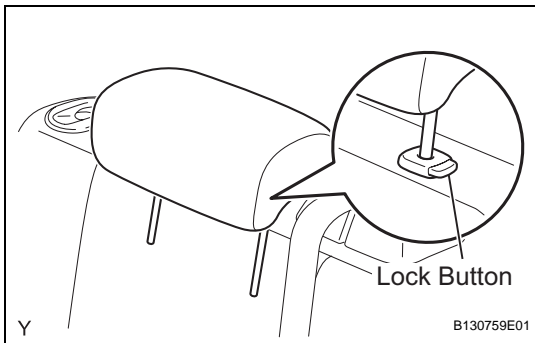
- (a) Disengage the hook and remove the rear seat cushion frame.





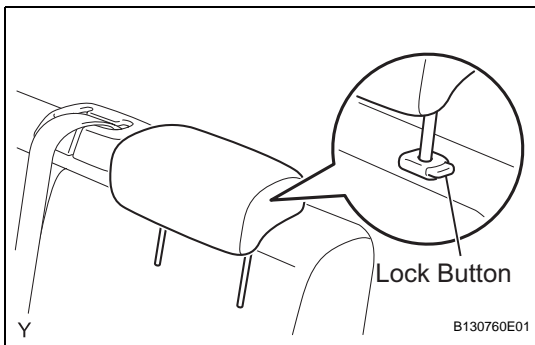
### 5. REMOVE REAR SEAT CUSHION COVER

- (a) Remove the 10 hog rings and the rear seat cushion cover.



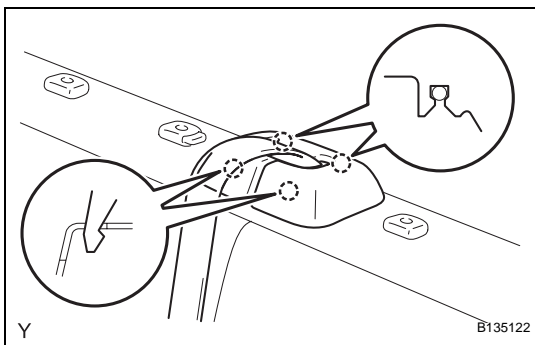
### 6. REMOVE REAR SEAT HEADREST ASSEMBLY

- (a) Push the lock button of the rear seat headrest support and remove the rear seat headrest.



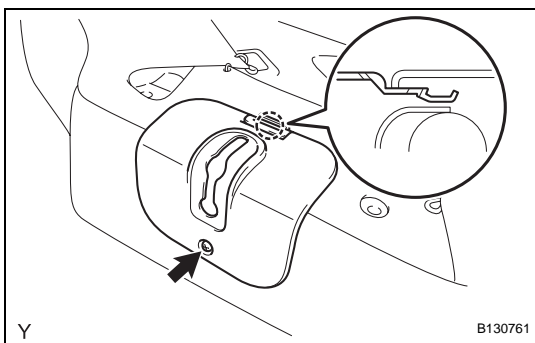
### 7. REMOVE REAR CENTER SEAT HEADREST ASSEMBLY

- (a) Push the lock button of the rear seat headrest support and remove the rear seat headrest.



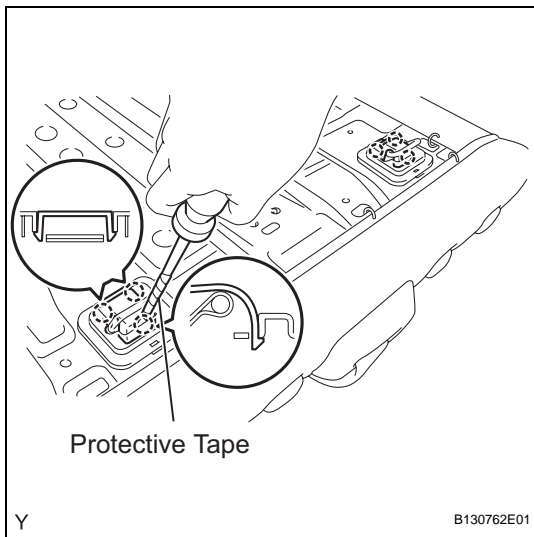
### 8. REMOVE REAR SEAT SHOULDER BELT COVER

- (a) Disengage the 4 claws and remove the rear seat shoulder belt cover.



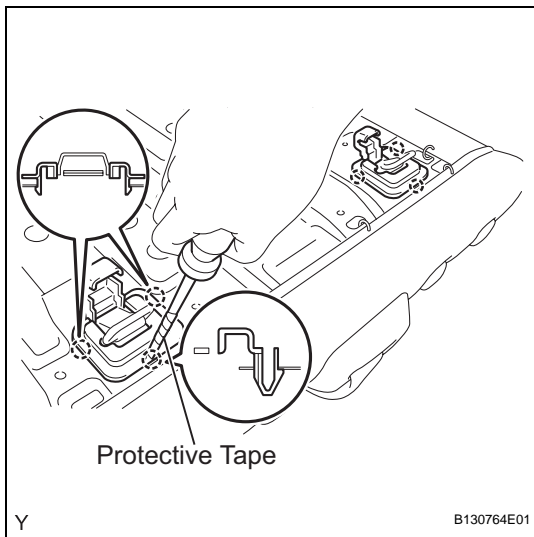
### 9. REMOVE REAR SEATBACK LOCK COVER

- (a) Remove the screw.  
 (b) Disengage the claw and remove the rear seatback lock cover.

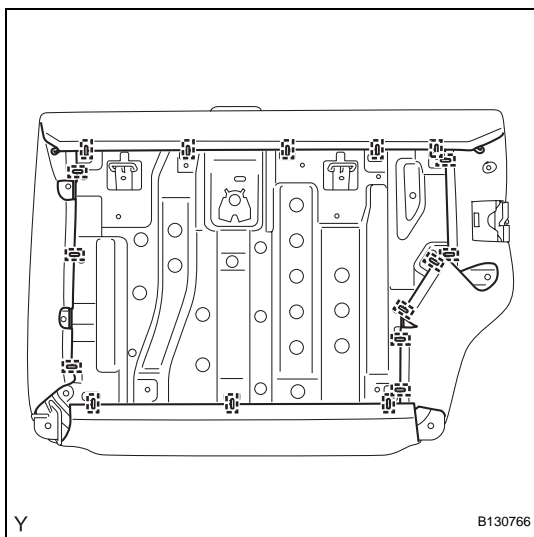
**10. REMOVE TETHER ANCHOR COVER****HINT:**

Use the same procedure for both sides.

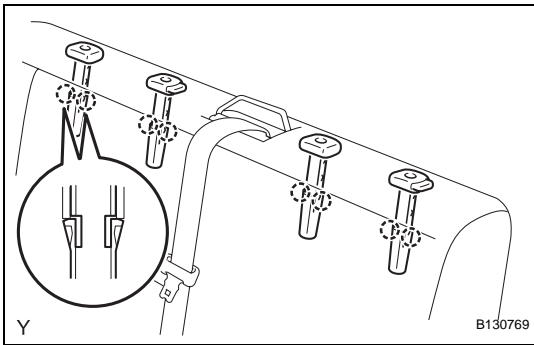
- (a) Using a screwdriver with its tip wrapped in protective tape, disengage the 2 claws and open the cover.



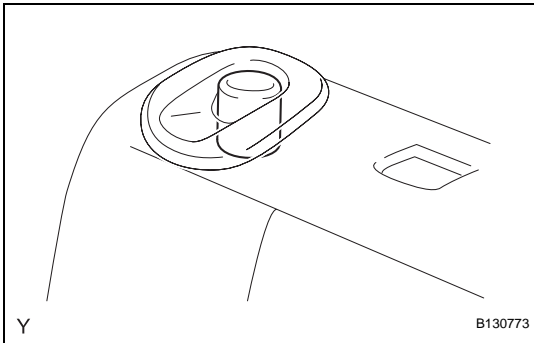
- (b) Using a screwdriver with its tip wrapped in protective tape, disengage the 3 claws and remove the tether anchor cover.

**11. REMOVE REAR SEAT HEADREST SUPPORT**

- (a) Remove the 17 hog rings.

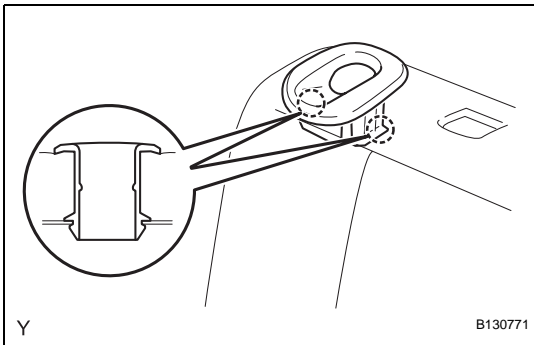


- (b) Disengage the 2 claws and remove the rear seat headrest support.  
**HINT:**  
 Use the same procedure to remove all the rear seat headrest supports.



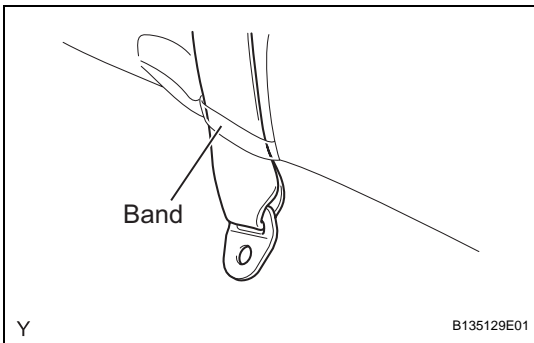
## 12. REMOVE REAR SEATBACK LOCK RELEASE BUTTON

- (a) Remove the rear seatback lock release button.



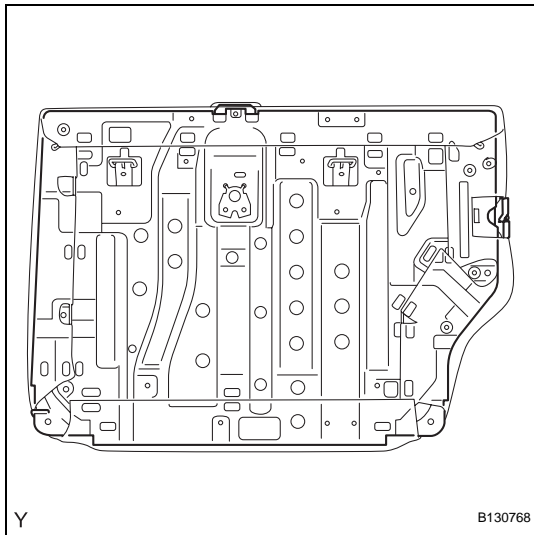
## 13. REMOVE REAR SEATBACK STOP BUTTON GROMMET

- (a) Disengage the 2 claws and remove the rear seatback stop button grommet.

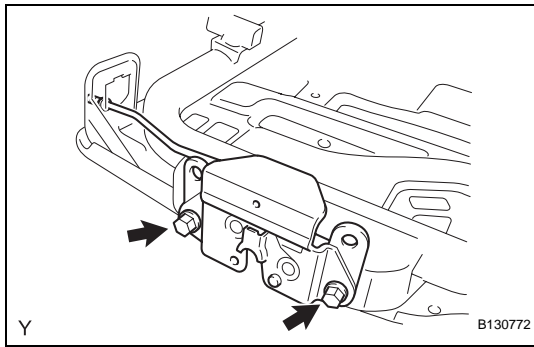


## 14. REMOVE REAR SEATBACK FRAME SUB-ASSEMBLY

- (a) Remove the belt of the rear center seat outer belt from the rear seatback cover band.



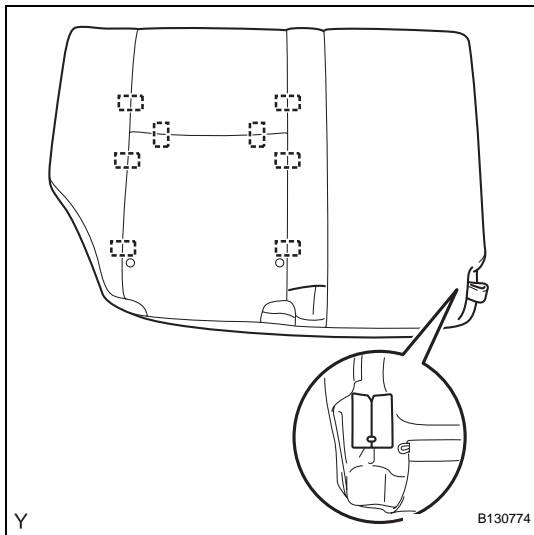
(b) Remove the rear seatback frame.



**15. REMOVE REAR SEATBACK LOCK ASSEMBLY**

(a) Remove the 2 bolts and the rear seatback lock.

**16. REMOVE REAR CENTER SEAT OUTER BELT ASSEMBLY (See page [SB-67](#))**



**17. REMOVE REAR SEATBACK COVER**

(a) Pass the hook of the rear seatback cover through the slit in the rear seatback pad.

(b) Remove the 8 hog rings and the rear seatback cover.