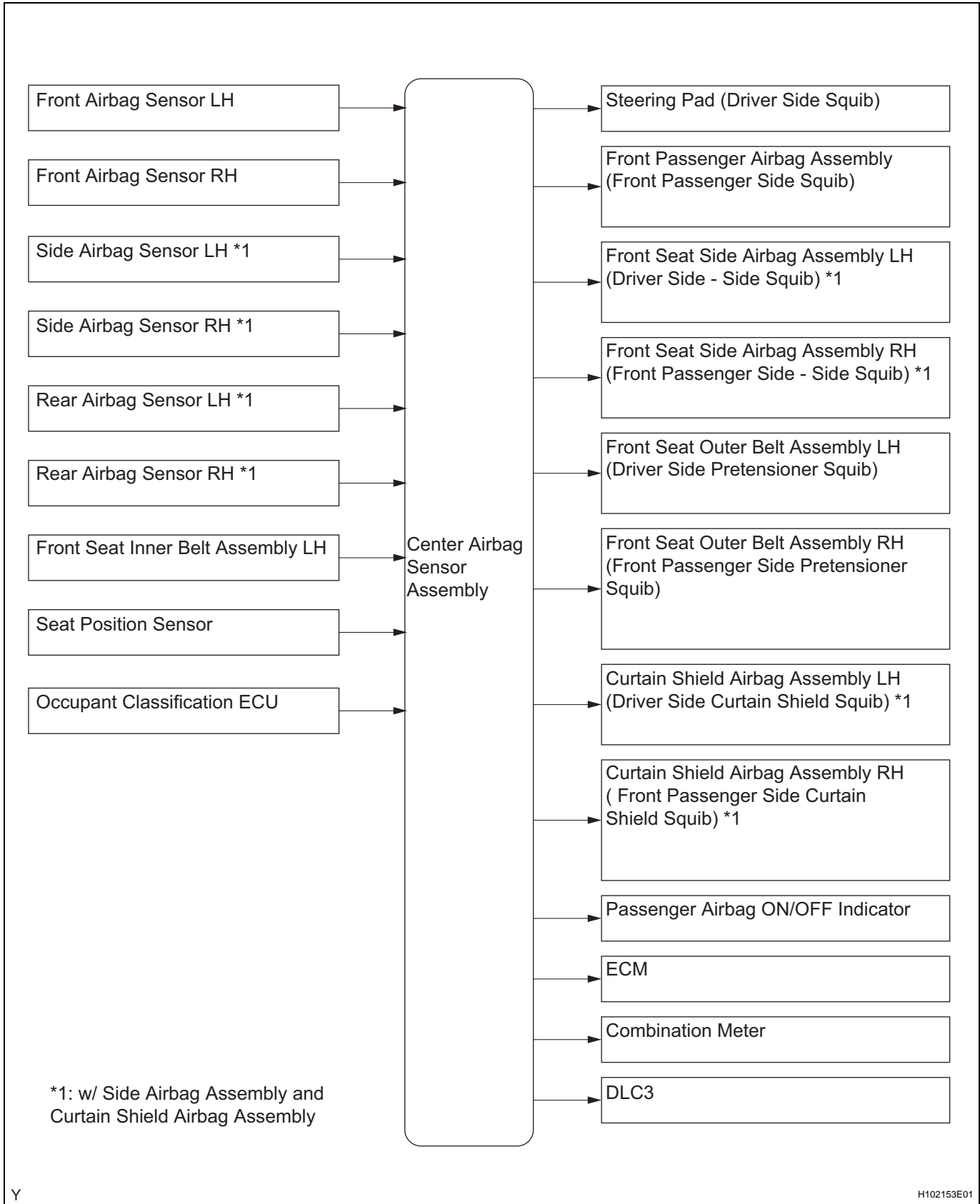


# SYSTEM DIAGRAM

RS

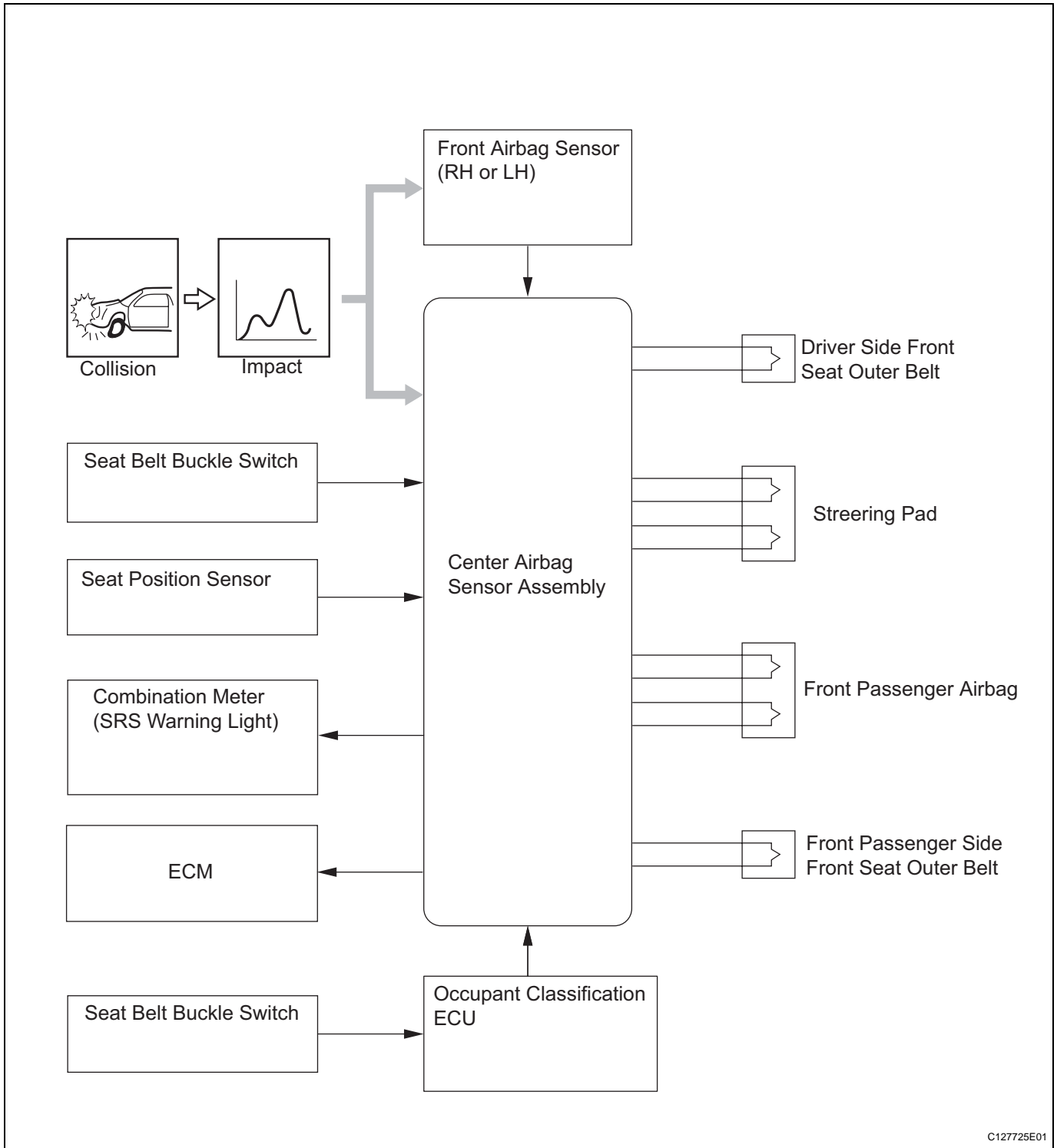


# SYSTEM DESCRIPTION

## 1. GENERAL

### (a) Airbag for Frontal Collision

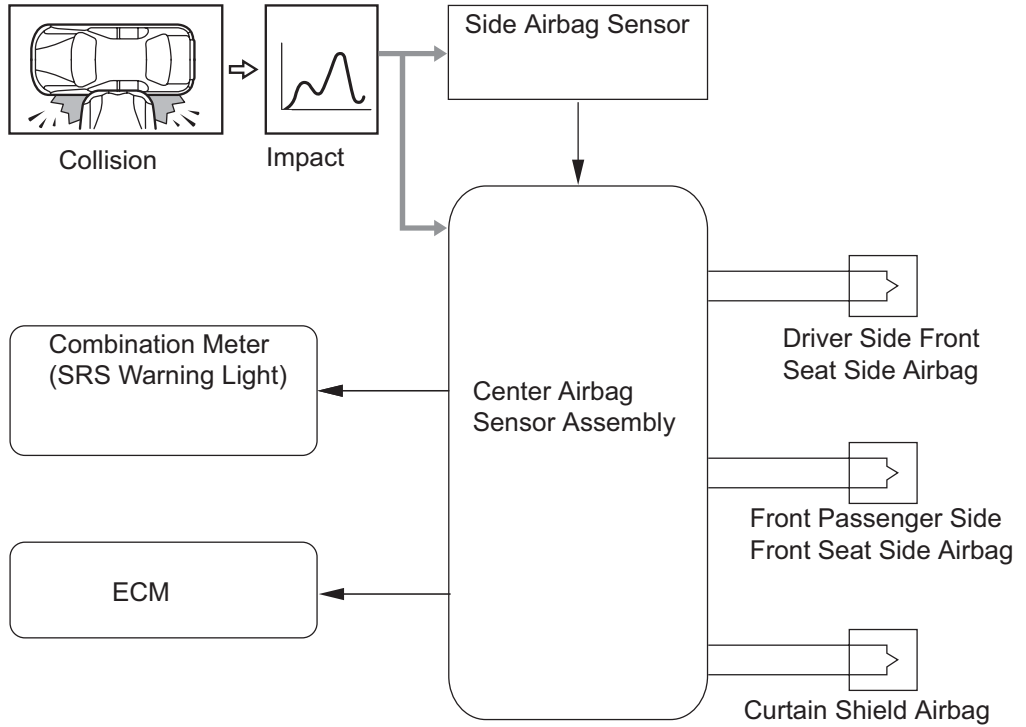
(1) The dual-stage SRS driver and front passenger airbags deploy simultaneously in the event of a frontal impact collision as supplements to the seat belts. The dual-stage SRS airbag system controls the airbag inflation output by judging the extent of the impact, the seat position and whether the seat belt is fastened.



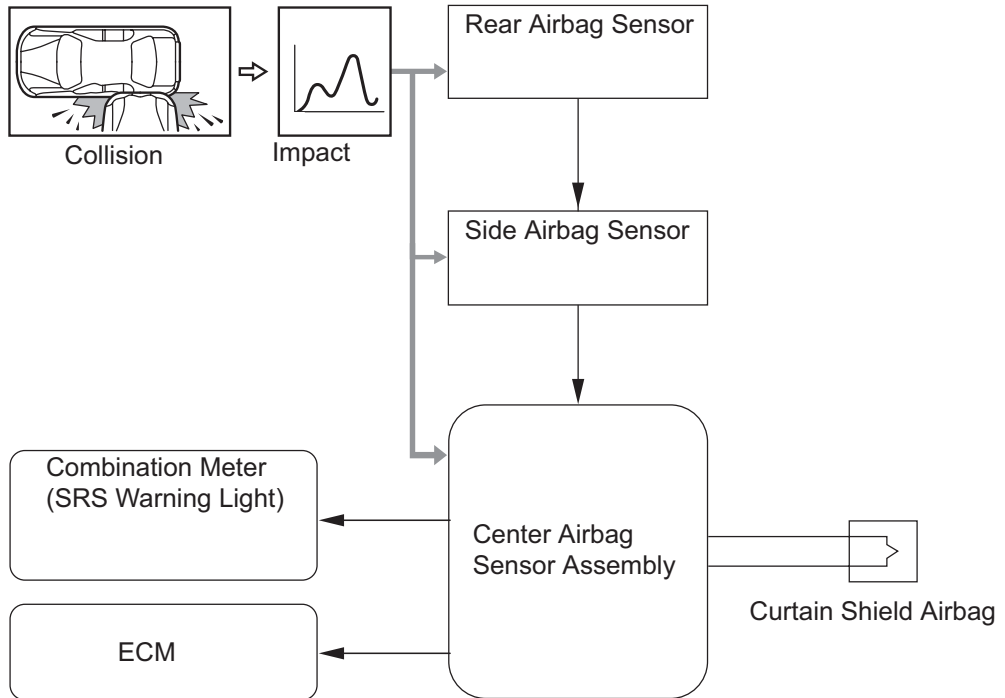
RS

- (b) Airbag for Side/Rear Side Collision
  - (1) SRS side and curtain shield airbags deploy simultaneously in the event of a side collision. Only the curtain shield airbag deploys in the event of a rear side collision.

**Airbag for Side Collision :**



**Airbag for Rear Side Collision :**



RS

**2. MAIN COMPONENTS**

<b>Component</b>	<b>Description</b>
SRS Driver & Front Passenger Airbags	Help reduce shocks to heads and chests of driver and front passenger in event of frontal impact collision as supplements to seat belts
Front Airbag Sensor	Converts distortion created in sensor into electrical signal based on deceleration of vehicle during front collision
Seat Belt Buckle Switch	Integrated into front seat inner belt assembly and detects whether seat belt fastened (for driver seat)
Seat Position Sensor	Detects sliding position of seat (for driver seat)
Front Seat Side and Curtain Shield Airbags	Help reduce shocks to heads and chests of driver, front passenger and outer rear passengers in event of side or rear side collision
Side Airbag Sensor and Rear Airbag Sensor	Convert distortion created in sensor into electrical signal based on deceleration of vehicle during side or rear side collision