

DTC	B1835/58	Short in Front Passenger Side Curtain Shield Squib Circuit
DTC	B1836/58	Open in Front Passenger Side Curtain Shield Squib Circuit
DTC	B1837/58	Short to GND in Front Passenger Side Curtain Shield Squib Circuit
DTC	B1838/58	Short to B+ in Front Passenger Side Curtain Shield Squib Circuit

DESCRIPTION

The front passenger side curtain shield squib circuit consists of the center airbag sensor assembly and the curtain shield airbag assembly RH.

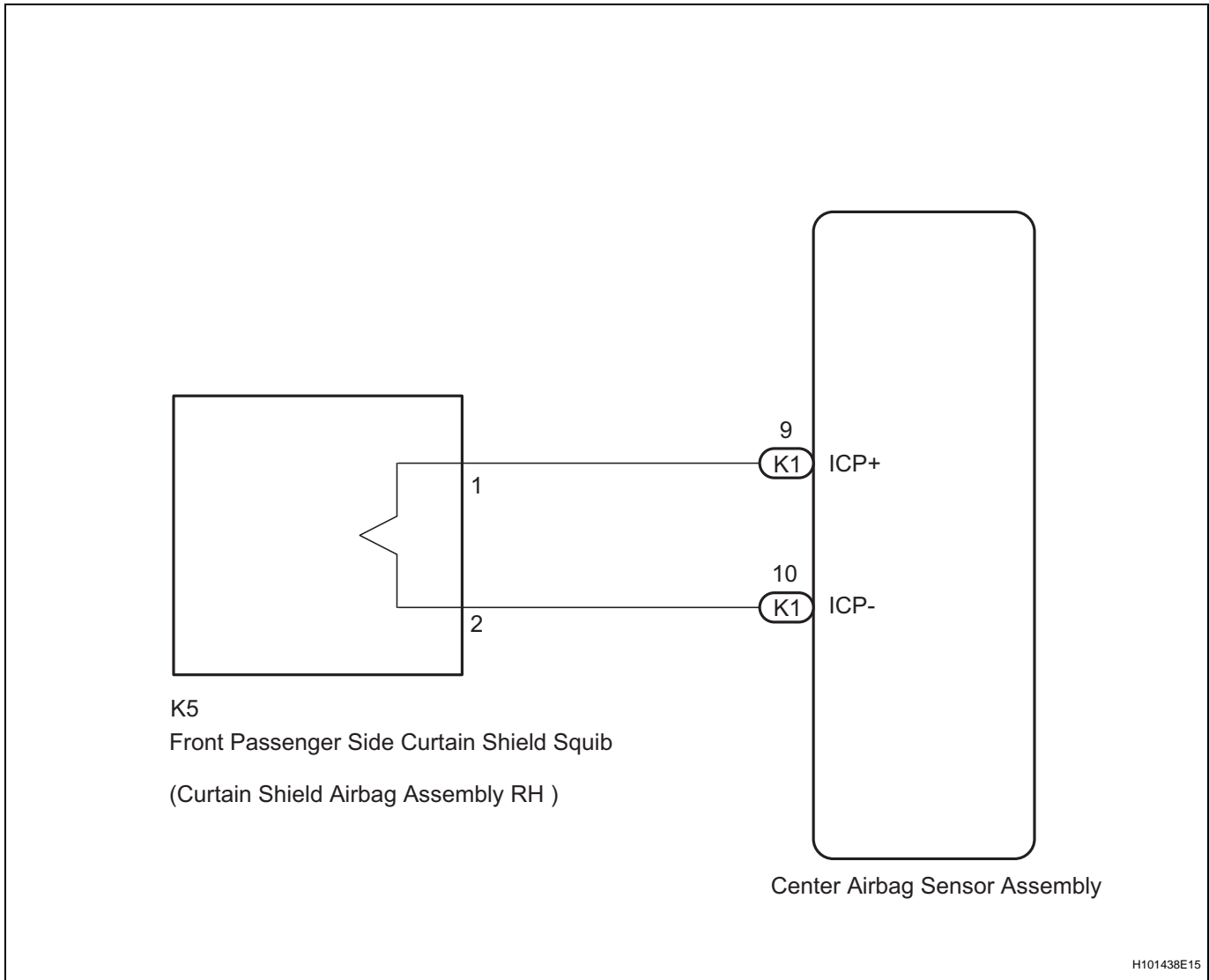
The circuit signals the SRS to deploy when deployment conditions are met.

These DTCs are recorded when a malfunction is detected in the front passenger side curtain shield squib circuit.

RS

DTC No.	DTC Detection Condition	Trouble Area
B1835/58	<ul style="list-style-type: none"> Center airbag sensor assembly detects line short circuit signal in front passenger side curtain shield squib circuit 5 times during primary check. Front passenger side curtain shield squib malfunction Center airbag sensor assembly malfunction 	<ul style="list-style-type: none"> Floor wire Curtain shield airbag assembly RH (Front passenger side curtain shield squib) Center airbag sensor assembly
B1836/58	<ul style="list-style-type: none"> Center airbag sensor assembly detects open circuit signal in front passenger side curtain shield squib circuit for 2 seconds. Front passenger side curtain shield squib malfunction Center airbag sensor assembly malfunction 	<ul style="list-style-type: none"> Floor wire Curtain shield airbag assembly RH (Front passenger side curtain shield squib) Center airbag sensor assembly
B1837/58	<ul style="list-style-type: none"> Center airbag sensor assembly detects short circuit to ground signal in front passenger side curtain shield squib circuit for 0.5 seconds. Front passenger side curtain shield squib malfunction Center airbag sensor assembly malfunction 	<ul style="list-style-type: none"> Floor wire Curtain shield airbag assembly RH (Front passenger side curtain shield squib) Center airbag sensor assembly
B1838/58	<ul style="list-style-type: none"> Center airbag sensor assembly detects short circuit to B+ signal in front passenger side curtain shield squib circuit for 0.5 seconds. Front passenger side curtain shield squib malfunction Center airbag sensor assembly malfunction 	<ul style="list-style-type: none"> Floor wire Curtain shield airbag assembly RH (Front passenger side curtain shield squib) Center airbag sensor assembly

WIRING DIAGRAM



INSPECTION PROCEDURE

HINT:

- Perform the simulation method by selecting CHECK MODE (signal check) with the intelligent tester (See page [RS-39](#)).
- After selecting CHECK MODE (signal check), perform the simulation method by wiggling each connector of the airbag system or driving the vehicle on a city or rough road (See page [RS-29](#)).

1

CHECK CONNECTOR (FLOOR WIRE - CURTAIN SHIELD AIRBAG ASSEMBLY RH)

- Turn the ignition switch off.
- Disconnect the negative (-) terminal cable from the battery, and wait for at least 90 seconds.
- Check the floor wire connector and terminals (on the curtain shield airbag assembly RH side) and check that the connector is properly connected to the curtain shield assembly RH.

Result

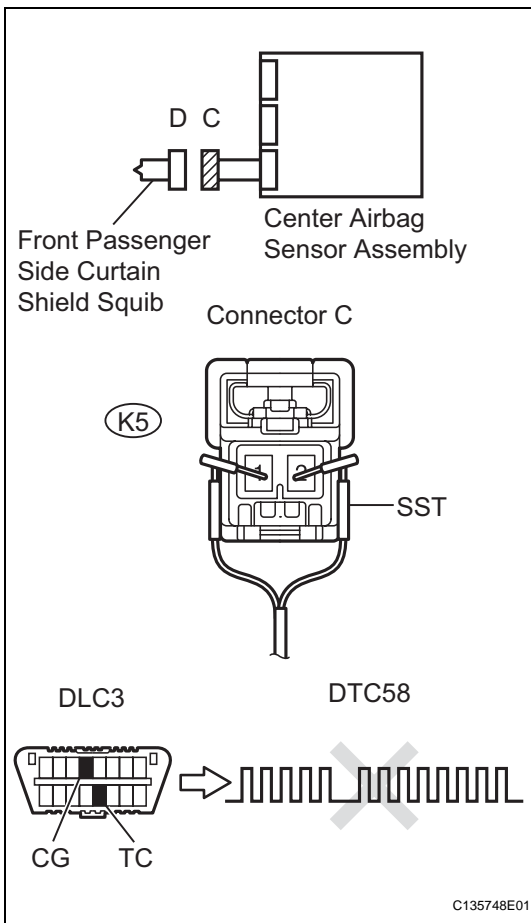
Result	Proceed to
No problem.	A
Connector or terminals incorrect.	B
Connector connected improperly.	C

B REPAIR OR REPLACE FLOOR WIRE

C CONNECT CONNECTOR PROPERLY

A

2 CHECK CURTAIN SHIELD AIRBAG ASSEMBLY RH (FRONT PASSENGER SIDE CURTAIN SHIELD SQUIB)



SST 09843-18060

- (a) Disconnect the connector from the curtain shield airbag assembly RH.
- (b) Connect the white wire side of SST (resistance 2.1 Ω) to connector C.

CAUTION:

Never connect a tester to the curtain shield airbag assembly RH (front passenger side curtain shield squib) for measurement, as this may lead to a serious injury due to airbag deployment.

NOTICE:

- Do not forcibly insert the SST into the terminals of the connector when connecting.
 - Insert the SST straight into the terminals of the connector.
- (c) Connect the negative (-) terminal cable to the battery, and wait for at least 2 seconds.
 - (d) Turn the ignition switch on, and wait for at least 60 seconds.
 - (e) Clear the DTCs stored in the memory (See page RS-36).
 - (f) Turn the ignition switch off.
 - (g) Turn the ignition switch on, and wait for at least 60 seconds.
 - (h) Check the DTCs (See page RS-36).

OK:

DTC B1835/58, B1836/58, B1837/58 and B1838/58 are not output.

HINT:

DTCs other than B1835/58, B1836/58, B1837/58 and B1838/58 may be output at this time, but they are not related to this check.

OK REPLACE CURTAIN SHIELD AIRBAG ASSEMBLY RH

NG

RS

3 CHECK CONNECTOR (FLOOR WIRE - CENTER AIRBAG SENSOR ASSEMBLY)

- Turn the ignition switch off.
- Disconnect the negative (-) terminal cable from the battery, and wait for at least 90 seconds.
- Disconnect the SST from connector C.
- Check the floor wire connector and terminals (on the center airbag sensor assembly side) and check that the connector is properly connected to the center airbag sensor assembly.

Result

Result	Proceed to
No problem.	A
Connector or terminals incorrect.	B
Connector connected improperly.	C

A

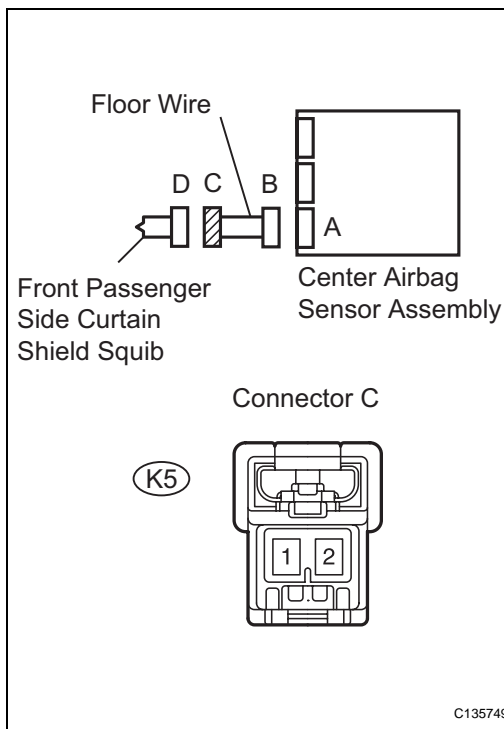
B

REPAIR OR REPLACE FLOOR WIRE

C

CONNECT CONNECTOR PROPERLY

4 CHECK FLOOR WIRE (FRONT PASSENGER SIDE CURTAIN SHIELD SQUIB CIRCUIT)



- Disconnect the connectors from the center airbag sensor assembly.
- Check for short to B+ in the circuit.
 - Connect the negative (-) terminal cable to the battery, and wait for at least 2 seconds.
 - Turn the ignition switch on.
 - Measure the voltage.

Standard voltage

Tester connection	Condition	Specified condition
1 - Body ground	Ignition switch on	Below 1 V
2 - Body ground	Ignition switch on	Below 1 V

- Check for open in the circuit.
 - Turn the ignition switch off.
 - Disconnect the negative (-) terminal cable from the battery, and wait for at least 90 seconds.
 - Measure the resistance.

Standard resistance

Tester connection	Condition	Specified condition
1 - 2	Always	Below 1 Ω

- Check for short to ground in the circuit.
 - Measure the resistance.

Standard resistance

Tester connection	Condition	Specified condition
1 - Body ground	Always	1 M Ω or higher
2 - Body ground	Always	1 M Ω or higher

- (e) Check for short in the circuit.
 - (1) Release the activation prevention mechanism built into connector B (See page RS-29).
 - (2) Measure the resistance.

Standard resistance

Tester connection	Condition	Specified condition
1 - 2	Always	1 MΩ or higher

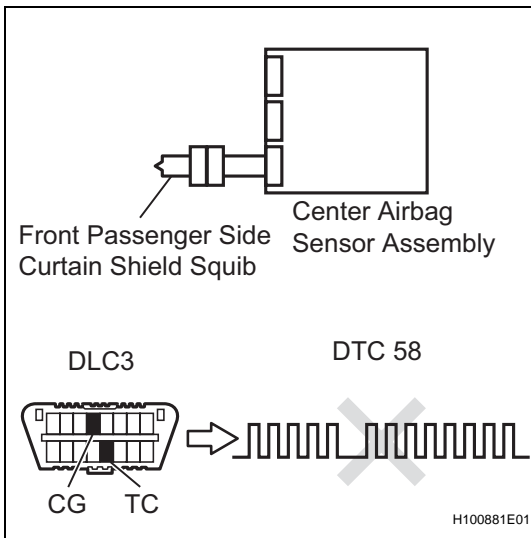
- (3) Restore the released activation prevention mechanism of connector to the original condition.

NG REPAIR OR REPLACE FLOOR WIRE

OK

5 CHECK CENTER AIRBAG SENSOR ASSEMBLY

RS



- (a) Connect the connectors to the curtain shield airbag assembly RH and the center airbag sensor assembly.
- (b) Connect the negative (-) terminal cable to the battery, and wait for at least 2 seconds.
- (c) Turn the ignition switch on, and wait for at least 60 seconds.
- (d) Clear the DTCs stored in the memory (See page RS-36).
- (e) Turn the ignition switch off.
- (f) Turn the ignition switch on, and wait for at least 60 seconds.
- (g) Check the DTCs (See page RS-36).

OK:

DTC B1835/58, B1836/58, B1837/58 and B1838/58 are not output.

HINT:

DTCs other than DTC B1835/58, B1836/58, B1837/58 and B1838/58 may be output at this time, but they are not related to this check.

NG REPLACE CENTER AIRBAG SENSOR ASSEMBLY

OK

USE SIMULATION METHOD TO CHECK