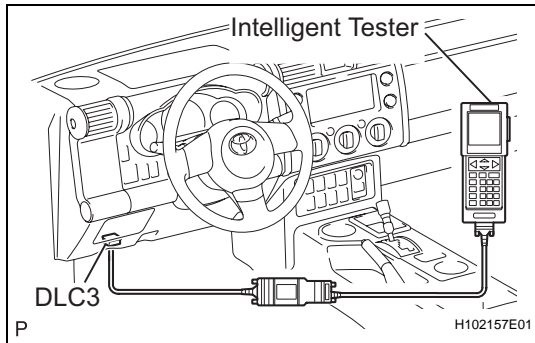


DTC CHECK / CLEAR

1. DTC CHECK

HINT:

- When DTC B1650/23 is detected as a result of troubleshooting for the airbag system, troubleshoot the occupant classification system.
- Use the intelligent tester to read and clear DTCs, otherwise the DTCs cannot be read and cleared.



(a) Check for DTCs.

- (1) Connect the intelligent tester to the DLC3.
- (2) Turn the ignition switch to the on position.
- (3) Check for DTCs by following the prompts on the tester screen.

HINT:

Refer to the intelligent tester operator's manual for further details.

(b) Clear the DTCs.

- (1) Connect the intelligent tester to the DLC3.
- (2) Turn the ignition switch to the on position.
- (3) Clear the DTCs by following the prompts on the tester screen.

HINT:

Refer to the intelligent tester operator's manual for further details.

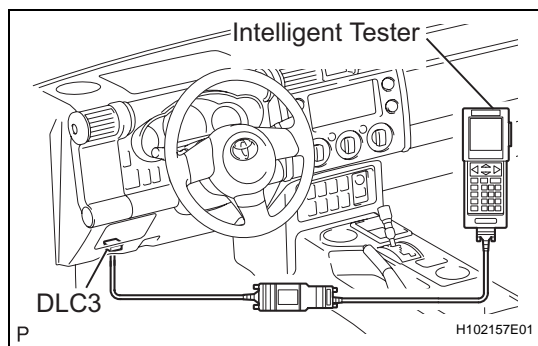
DATA LIST / ACTIVE TEST

HINT:

By accessing the DATA LIST displayed by the intelligent tester, you can check values of switches and sensors without removing any parts. Reading the DATA LIST as the first step of troubleshooting is one method to shorten diagnostic time.

1. DATA LIST FOR OCCUPANT CLASSIFICATION ECU

- (a) Connect the intelligent tester to the DLC3.
- (b) Turn the ignition switch to the on position.
- (c) Following the display on the tester screen, read the DATA LIST.



RS

Item	Measurement Item/ Range (Display)	Normal Condition	Diagnostic Note
IG SW	Ignition switch condition/ ON: Ignition switch ON OFF: Ignition switch OFF	ON/OFF	-
PASSENGER CLASS	Front passenger classification/ AM50: Adult (more than 54 kg (119.05 lb)) is seated AF05: Adult (36 to 54 kg (79.37 to 119.05 lb)) is seated CHILD: Child (less than 36 kg (79.37 lb)) is seated CRS: Child restraint system (less than 7 kg (15.43 lb))and front passenger side buckle switch on, then 7 to 36 kg (15.43 to 79.37 lb) is set OFF: Vacant	AM50/AF05/CHILD/CRS/OFF	-
P BUCKLE SW	Buckle switch (Front passenger side)/ UNSET: Front passenger side seat belt is unfastened SET: Front passenger side seat belt is fastened NG: Front passenger side seat belt is malfunctioning	UNSET/SET	-
SENS RANGE INF	Sensor range information/ OK: The sensor value is within the range NG: The sensor value is outside the range	OK	-
FL SENS RANGE	Front left sensor range information/ OK: Sensor range is -17 to 27 kg (-37.48 to 59.52 lb) Min.: Less than -17 kg (-37.48 lb) Max.: More than 27 kg (59.52 lb)	OK	-
FR SENS RANGE	Front right sensor range information/ OK: Sensor range is -17 to 27 kg (-37.48 to 59.52 lb) Min.: Less than -17 kg (-37.48 lb) Max.: More than 27 kg (59.52 lb)	OK	-

Item	Measurement Item/ Range (Display)	Normal Condition	Diagnostic Note
RL SENS RANGE	Rear left sensor range information/ OK: Sensor range is -17 to 37 kg (-37.48 to 81.57 lb) Min.: Less than -17 kg (-37.48 lb) Max.: More than 37 kg (81.57 lb)	OK	-
RR SENS RANGE	Rear right sensor range information/ OK: Sensor range is -17 to 37 kg (-37.48 to 81.57 lb) Min.: Less than -17 kg (-37.48 lb) Max.: More than 37 kg (81.57 lb)	OK	-
FL SENS VOL	Front left sensor voltage/ Min.: 0 V Max.: 19.8 V	0 to 4.7 V	-
FR SENS VOL	Front right sensor voltage/ Min.: 0 V Max.: 19.8 V	0 to 4.7 V	-
RL SENS VOL	Rear left sensor voltage/ Min.: 0 V Max.: 19.8 V	0 to 4.7 V	-
RR SENS VOL	Rear right sensor voltage/ Min.: 0 V Max.: 19.8 V	0 to 4.7 V	-
FL SENS WEIGHT	Front left sensor weight information/ Min.: -17 kg (-37.48 lb) Max.: 27 kg (59.52 lb)	-17 to 27 kg (-37.48 to 59.52 lb)	-
FR SENS WEIGHT	Front right sensor weight information/ Min.: -17 kg (-37.48 lb) Max.: 27 kg (59.52 lb)	-17 to 27 kg (-37.48 to 59.52 lb)	-
RL SENS WEIGHT	Rear left sensor weight information/ Min.: -17 kg (-37.48 lb) Max.: 37 kg (81.57 lb)	-17 to 37 kg (-37.48 to 81.57 lb)	-
RR SENS WEIGHT	Rear right sensor weight information/ Min.: -17 kg (-37.48 lb) Max.: 37 kg (81.57 lb)	-17 to 37 kg (-37.48 to 81.57 lb)	-
TOTAL WEIGHT	Total weight information/ Min.: -68 kg (-149.91 lb) Max.: 128 kg (282.19 lb)	-68 to 128 kg (-149.91 to 282.19 lb)	-
#PRESENT CODES	Number of present DTCs Min.: 0, Max.: 255	0	-
#PAST CODES	Number of past DTCs Min.: 0, Max.: 255	0	-

RS