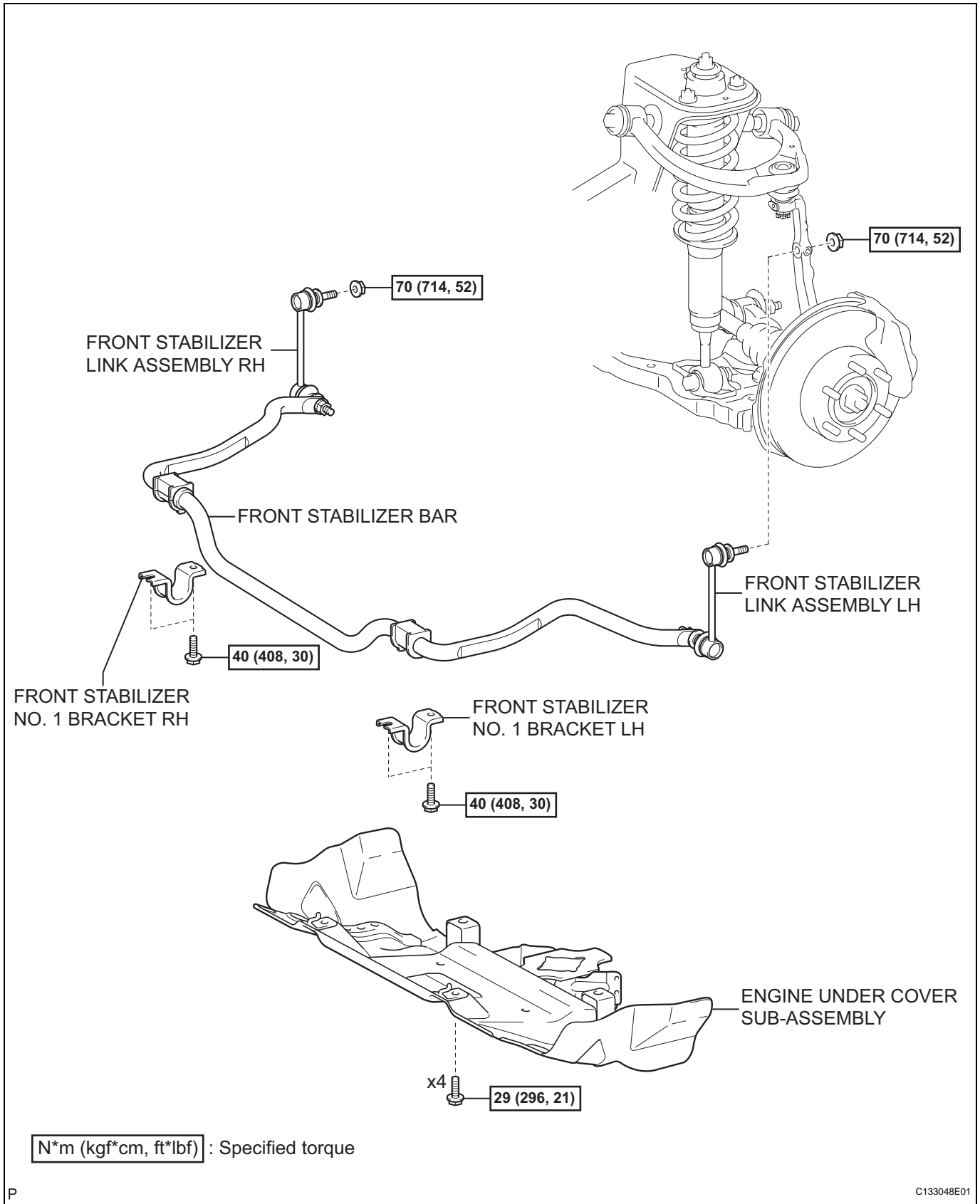
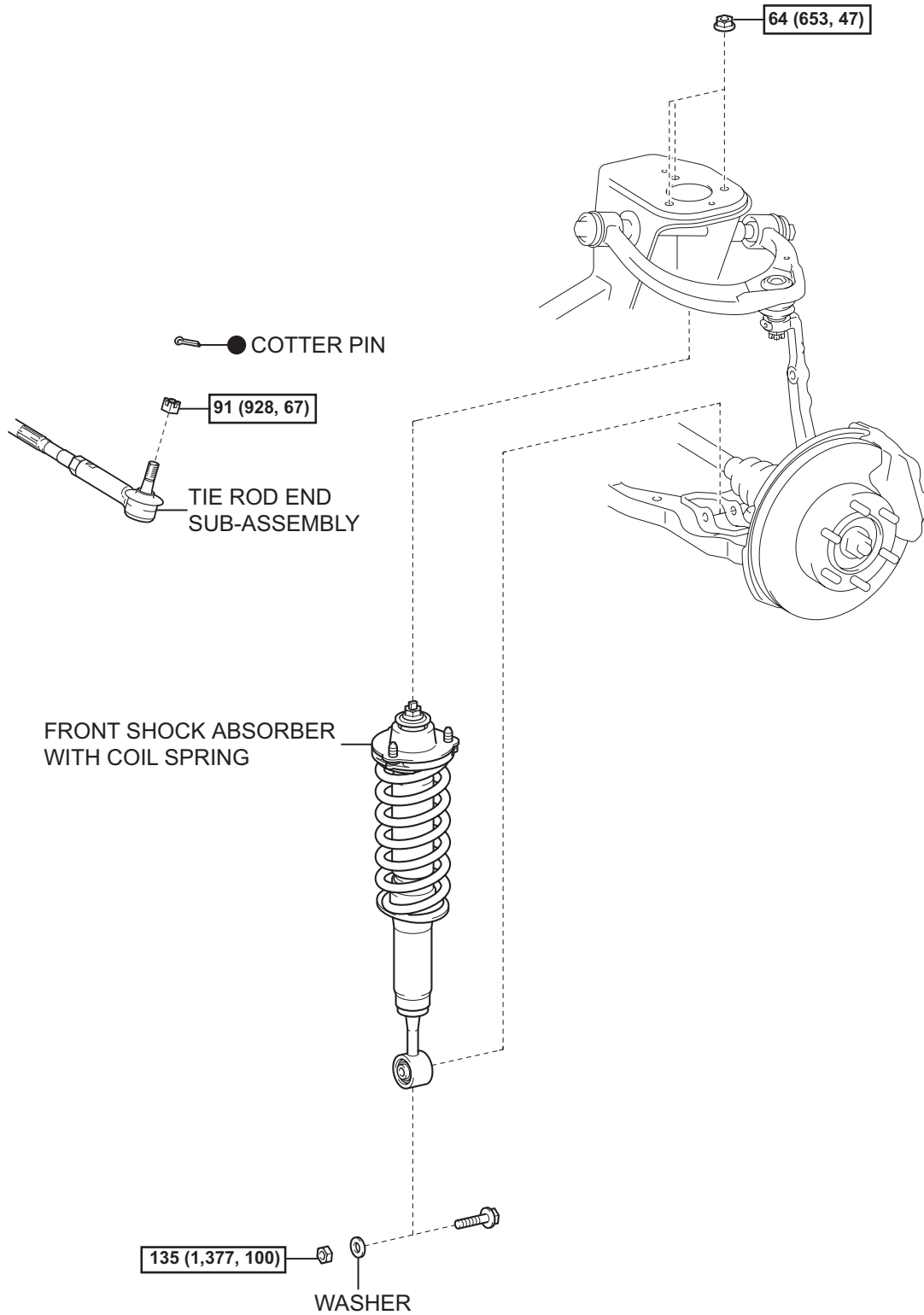


FRONT SHOCK ABSORBER WITH COIL SPRING

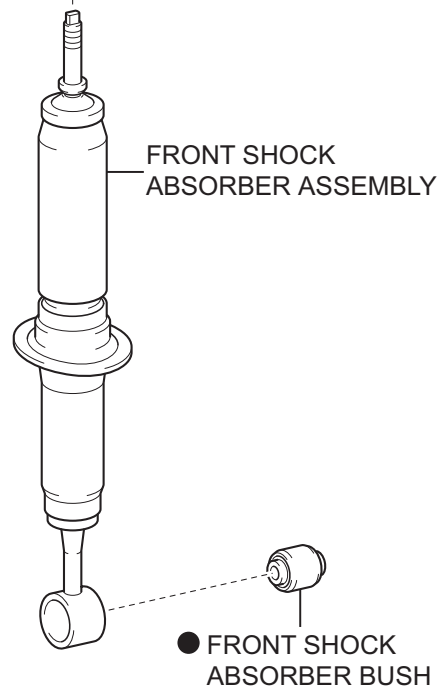
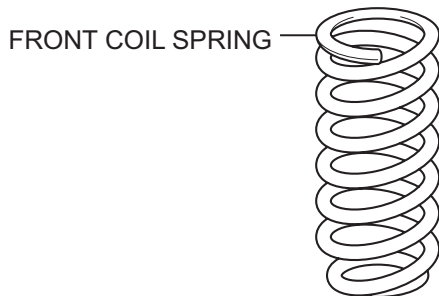
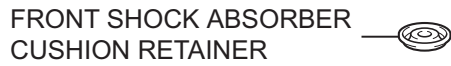
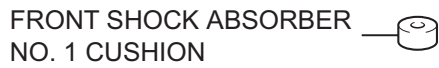
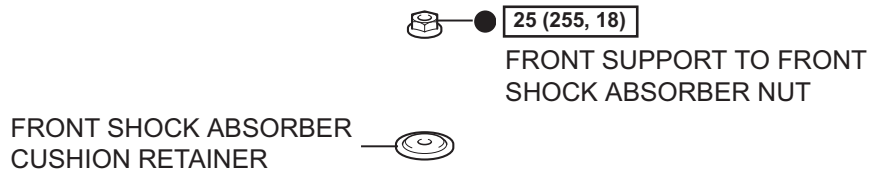
COMPONENTS





N*m (kgf*cm, ft*lb) : Specified torque

● Non-reusable part



$\boxed{\text{N*m (kgf*cm, ft*lb)}} : \text{Specified torque}$

● Non-reusable part