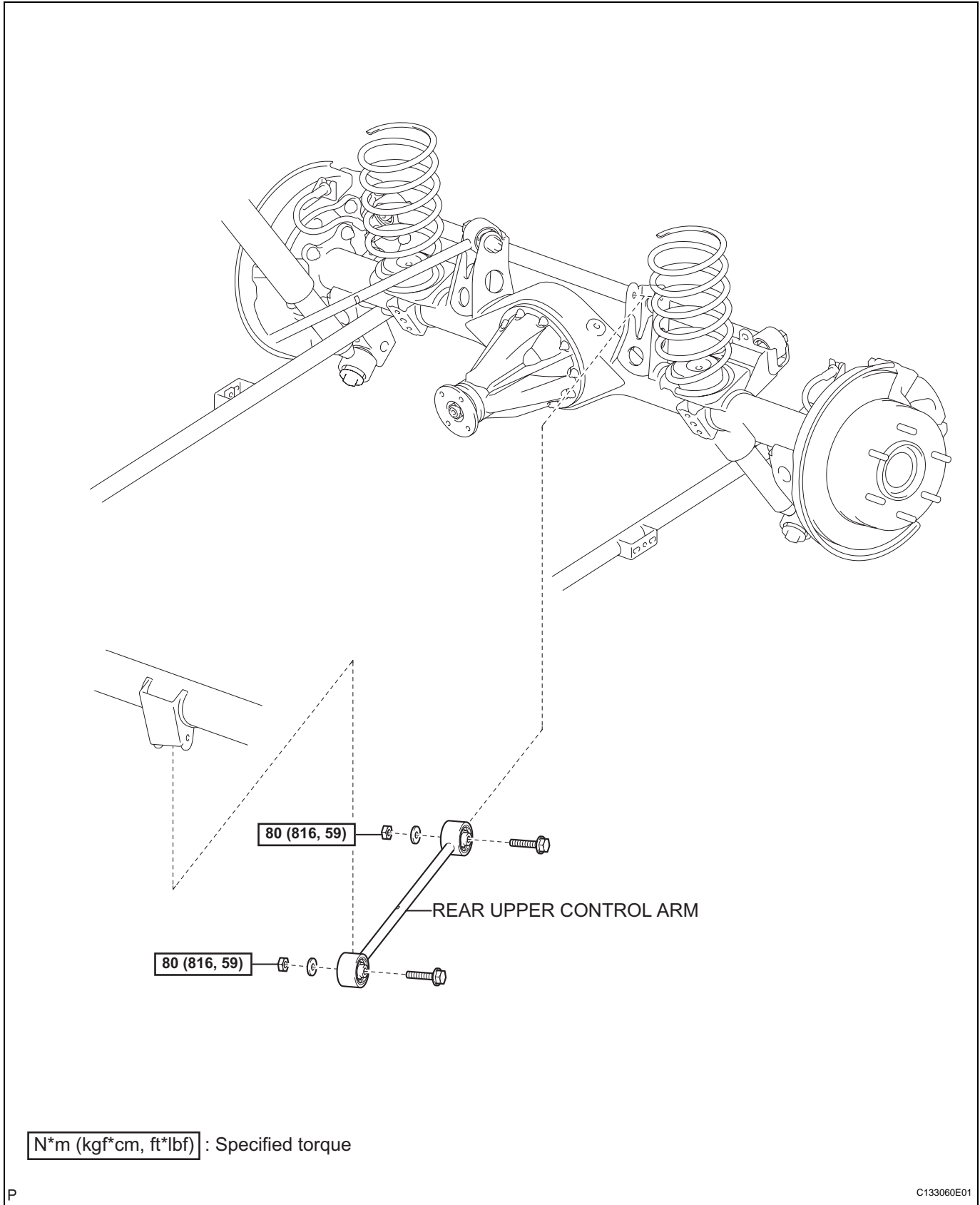


REAR UPPER CONTROL ARM

COMPONENTS



SP

80 (816, 59) : Specified torque

REMOVAL

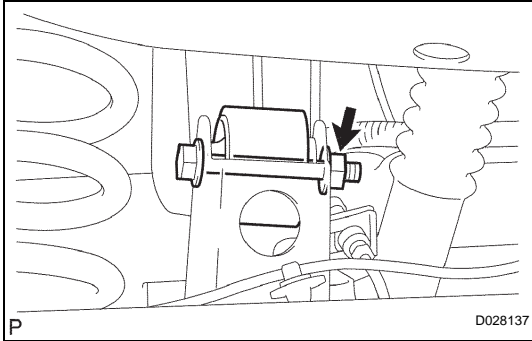
1. REMOVE REAR UPPER CONTROL ARM

(a) Support the rear axle housing.

(b) Remove the nut, washer and bolt.

HINT:

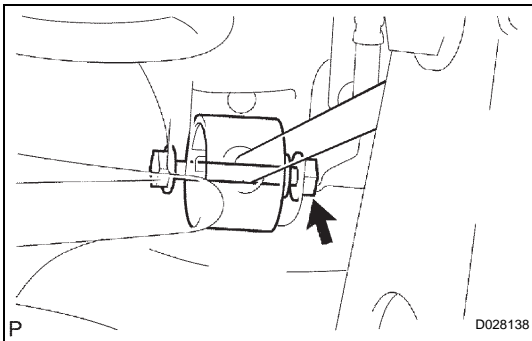
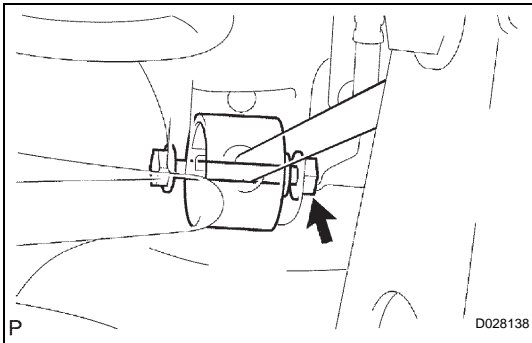
While fixing the bolt, turn and remove the nut.



(c) Remove the nut, washer, bolt and upper control arm.

HINT:

While fixing the bolt, turn and remove the nut.



INSTALLATION

1. TEMPORARILY TIGHTEN REAR UPPER CONTROL ARM

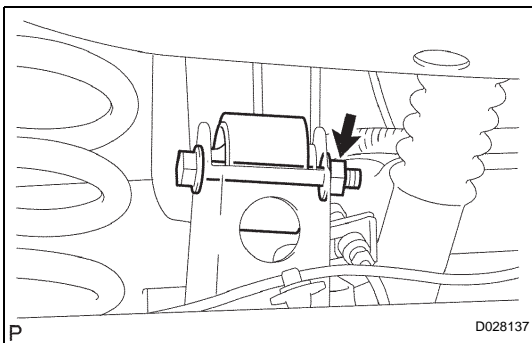
(a) Install the upper control arm and temporarily tighten the nut, washer and bolt.

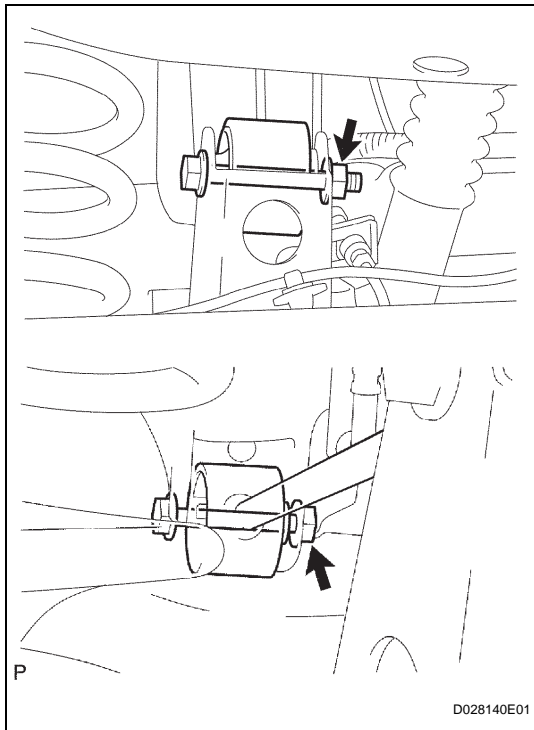
(b) Install the upper control arm and temporarily tighten the nut, washer and bolt.

2. STABILIZE SUSPENSION

(a) Jack down the vehicle.

(b) Bounce the vehicle up and down several times to stabilize the suspension.



**3. FULLY TIGHTEN REAR UPPER CONTROL ARM**

(a) Fully tighten the 2 nuts.

Torque: 80 N*m (816 kgf*cm, 59 ft.*lbf)

HINT:

While fixing the bolt, turn and install the nut.